

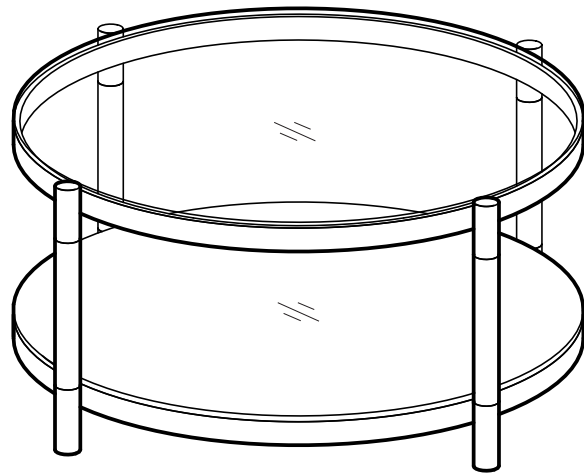
# KOALA

## L I V I N G

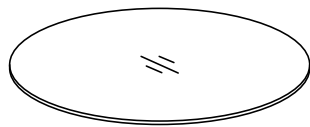
### Assembly Instruction

Product Name: Aurn Stainless Steel Coffee Table

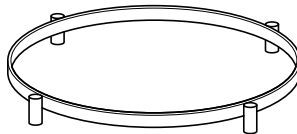
#### Hardware List



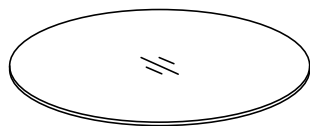
#### Parts List



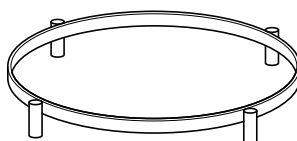
Clear Glass  
1 pc



Top Steel Frame  
1 pc



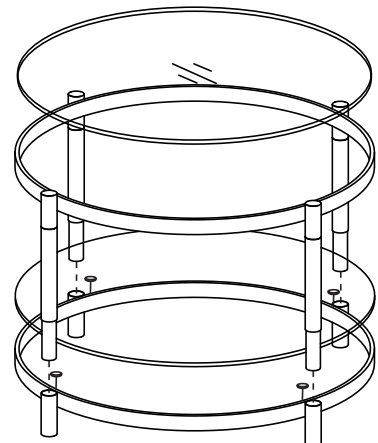
Mirror  
1 pc



Bottom Steel Frame  
1 pc



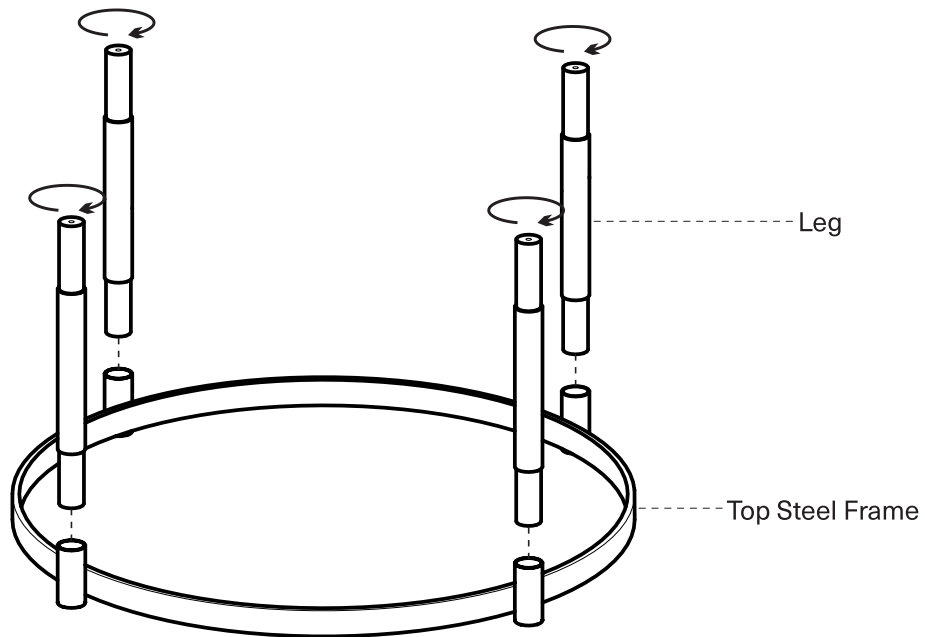
Leg  
4 pcs



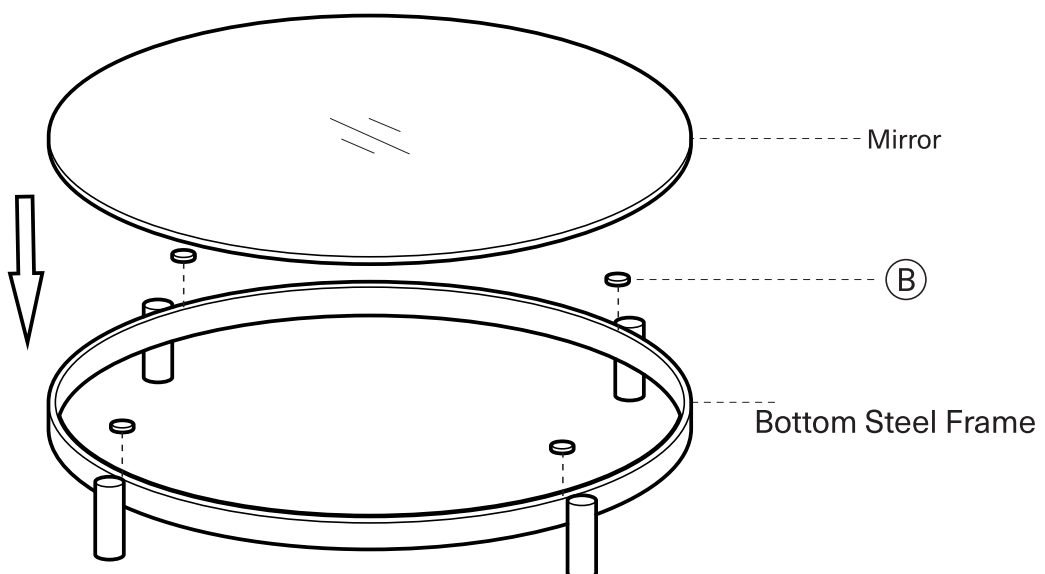
## Note

1. Please check that all required hardware for assembly, as listed in the instructions, is available before beginning assembly.
2. For safety and efficiency, it's best to have two or more people assist with assembly to handle heavy parts safely and collaborate effectively.
3. Do not discard any packaging materials until assembly is complete.
4. Before assembling the item, carefully read all provided instructions.
5. Handle tools with care during assembly to prevent injuries.

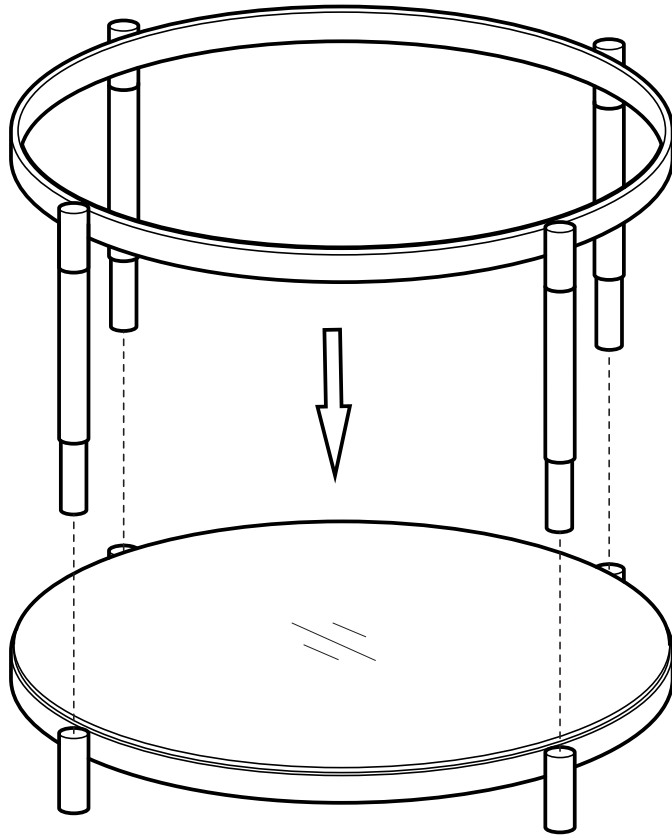
1



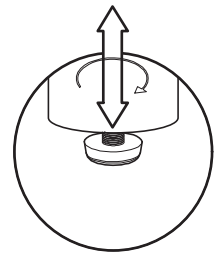
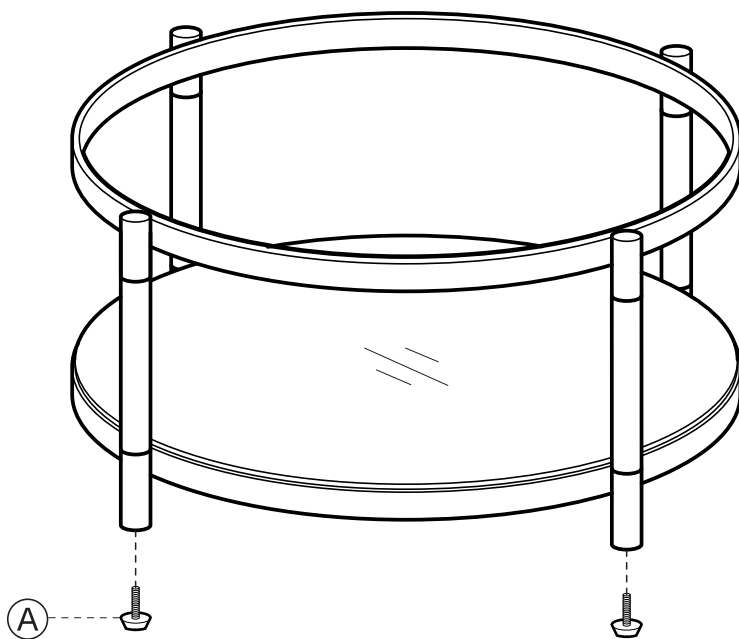
2



3

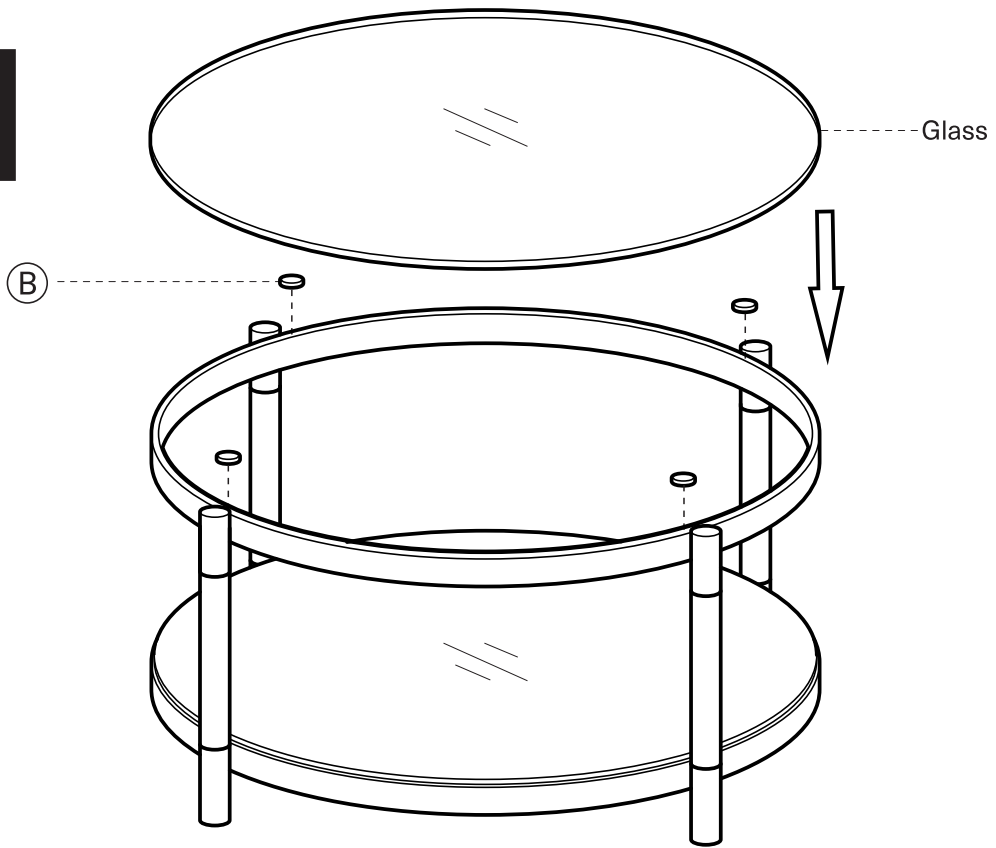


4



Ensure all adjustable stoppers are firmly on the ground for stability

5



6

