

KOALA








L I V I N G

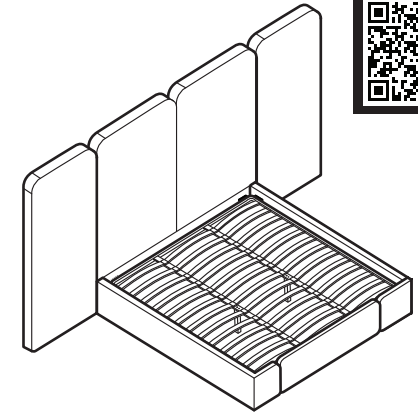
Assembly Instruction

Product Name: Arcadia Warm Ivory King Bed

Product Id: 130111

Hardware List

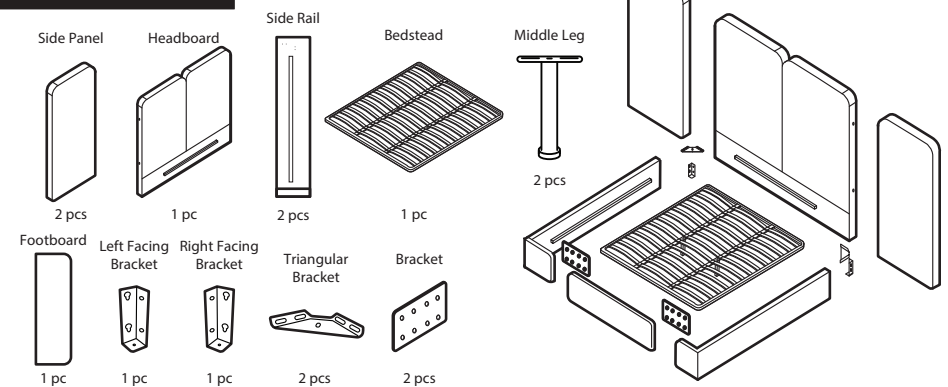
A		Allen Bolt M8X35mm	32 pcs
B		Allen Wrench 5X66X23mm	1 pc
C		Washer 9*22*2	4 pcs
D		Nut	8 pcs
E		Allen Bolt M8X50mm	4 pcs
F		Bolt M8X60mm	4 pcs
G		Wrench	1 pc



Note

The bolts (A) are pre-installed on the bed head, side rails, footboard and bolts (E) is on the support legs. Please unscrew them to assemble the bed.

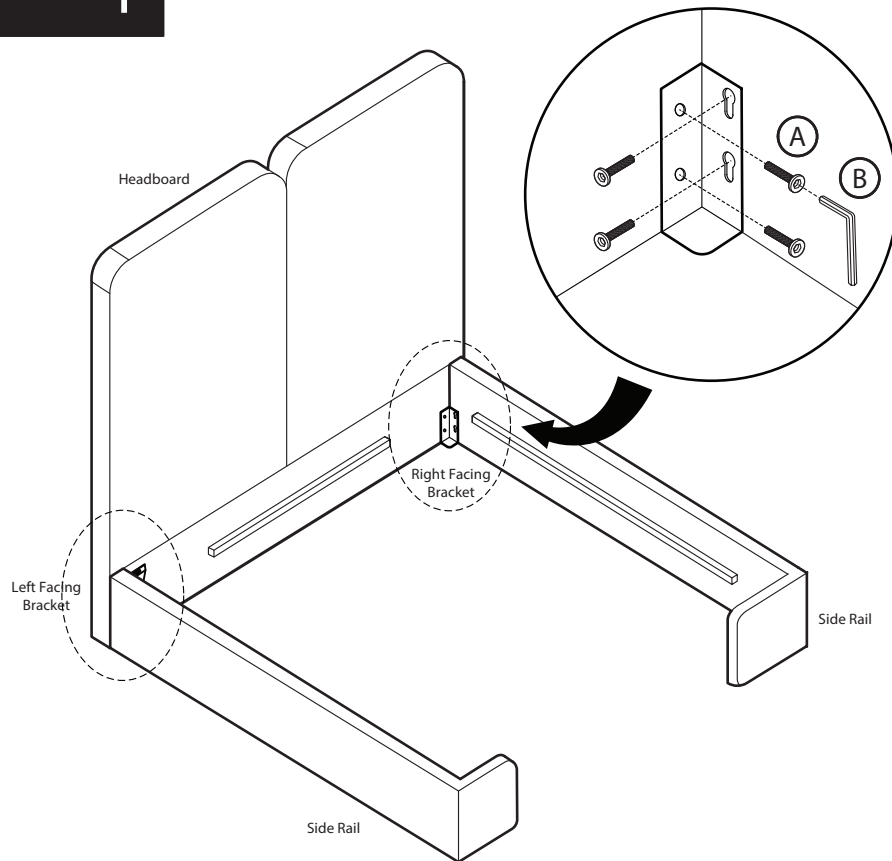
Part List



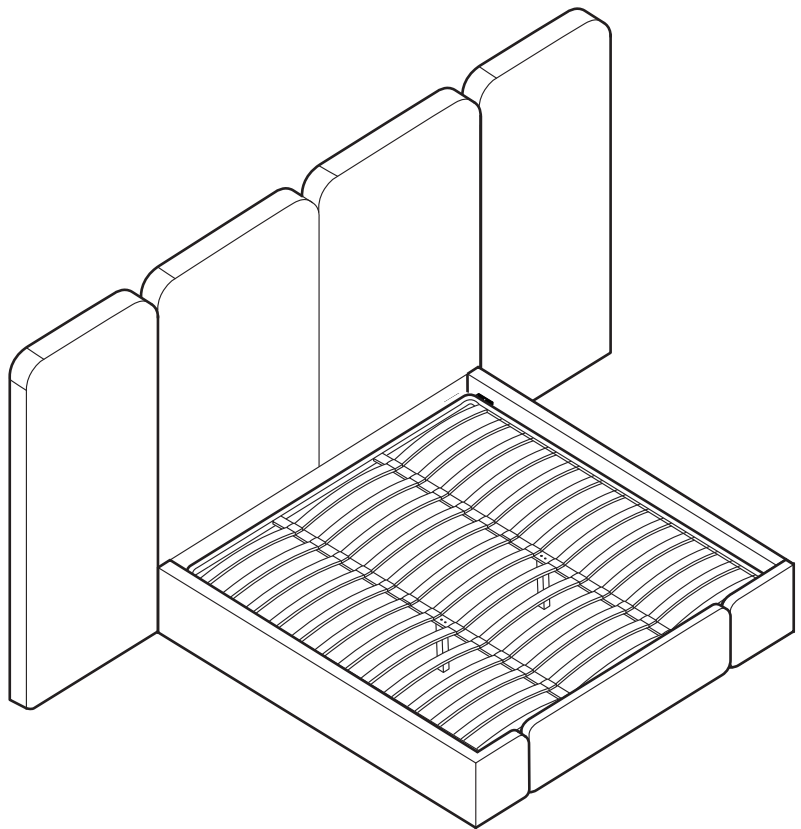
Note

1. Assemble the item on a soft, well-lit surface like cardboard or carpet.
2. For safety and efficiency, it's best to have two or more people assist with assembly to handle heavy parts safely and collaborate effectively.
3. Keep all packaging materials intact until assembly is complete.
4. Before assembling the item, carefully read all provided instructions.
5. Handle tools with care during assembly to prevent injuries.

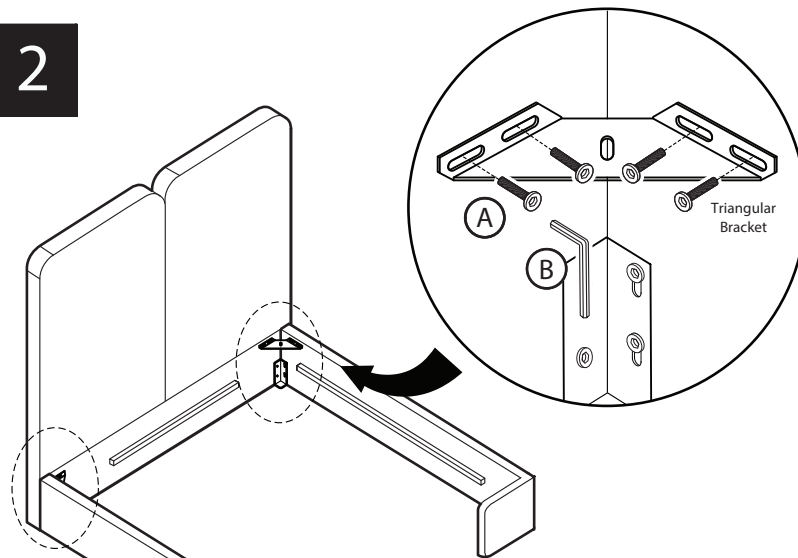
1



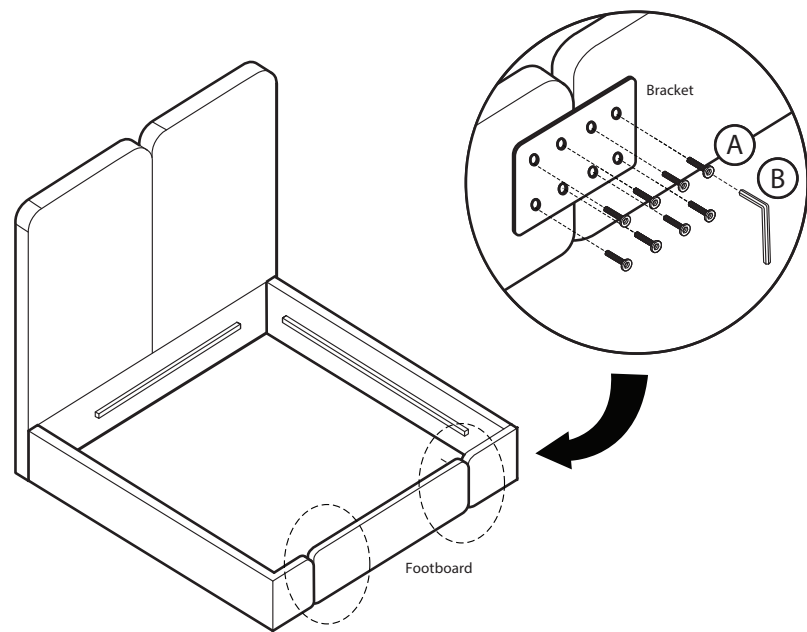
8



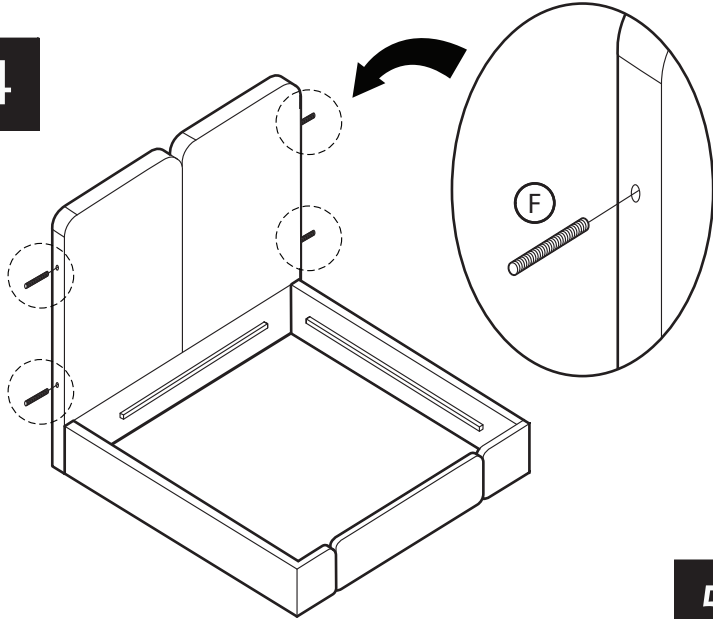
2



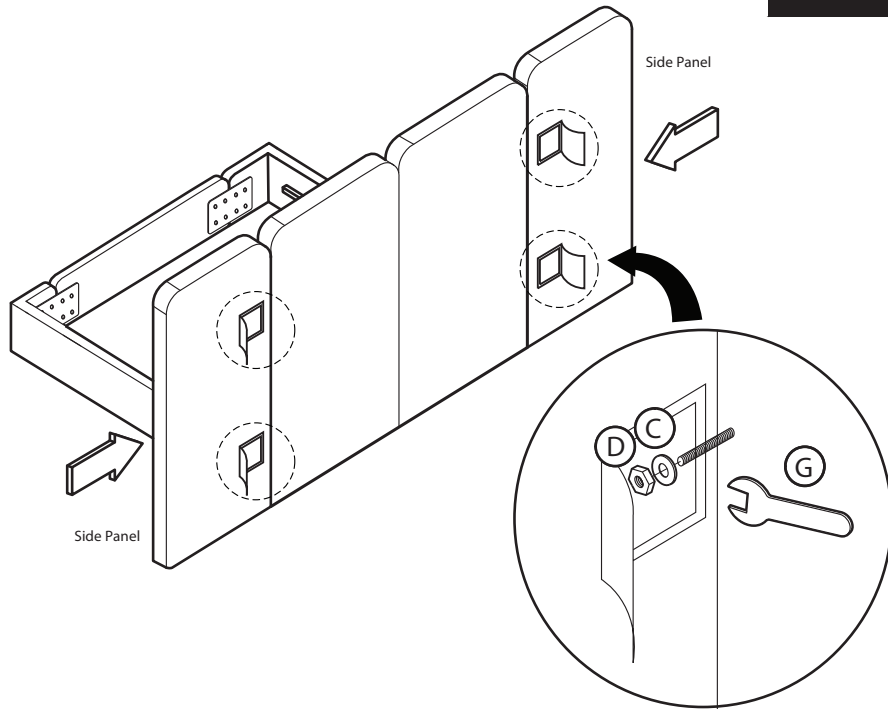
3



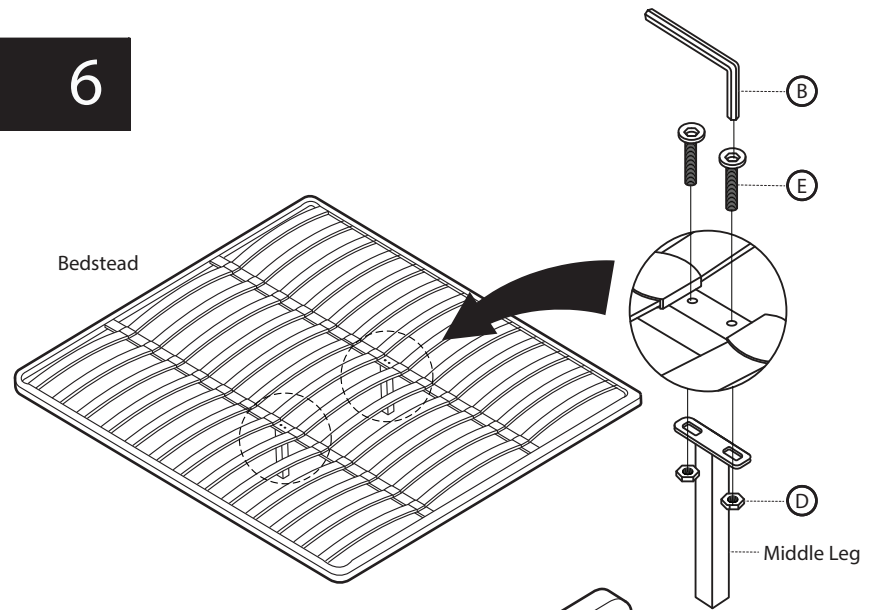
4



5



6



7

