

# KOALA







L I V I N G

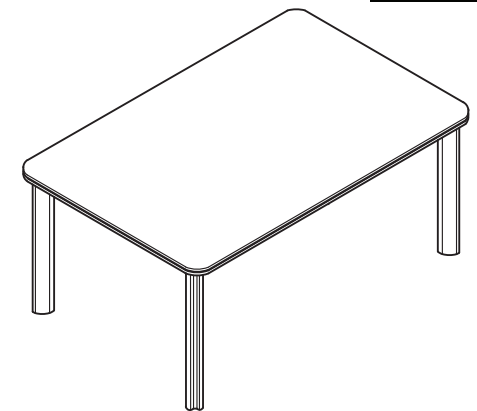
## Assembly Instruction

Product Name: Portobello Pandora Brown Sintered Stone Top Dining Table  
Light Brown Ash Legs 200x100cm

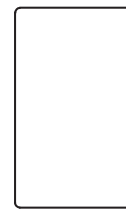
Product Id: 129949

### Hardware List

A		Allen Key 5mm	1 pc
B		Allen Key 4mm	1 pc
C		Allen Bolt 8*90	14 pcs
D		Allen Bolt 8*50	9 pcs
E		Allen Bolt 6*16	8 pcs
F		Washer 8*20	8 pcs



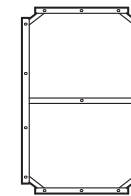
### Part List



Sintered  
Stone Top  
1 pc



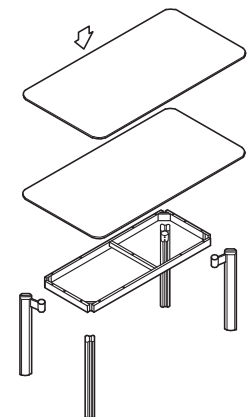
Top  
1 pc



Frame  
1 pc



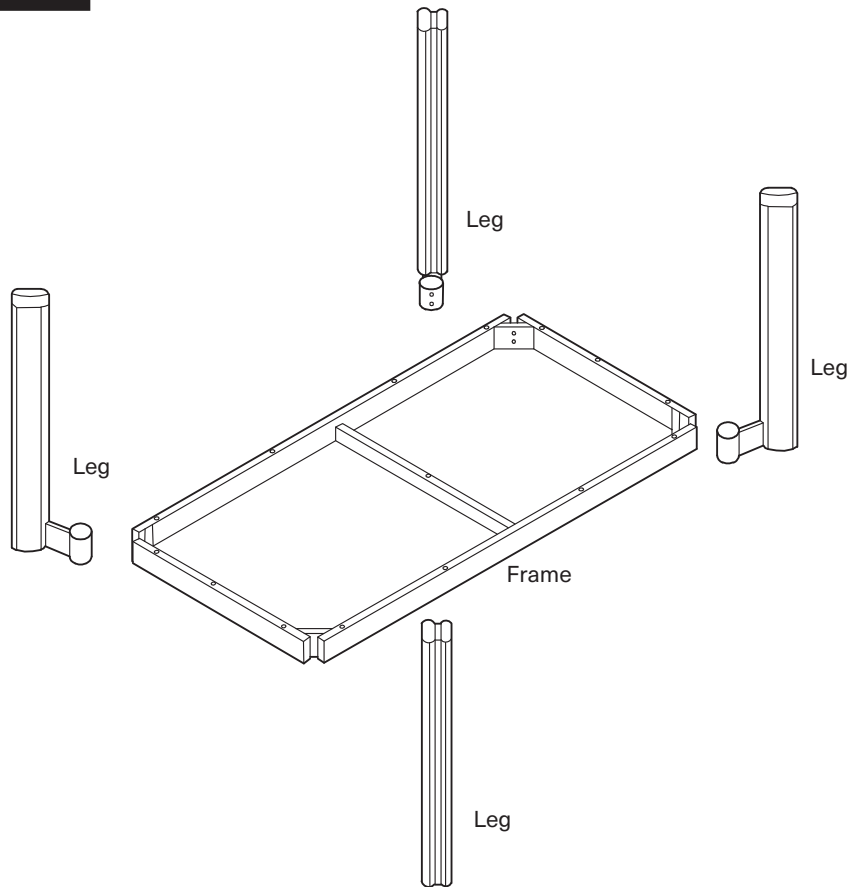
Leg  
4 pcs



## Note

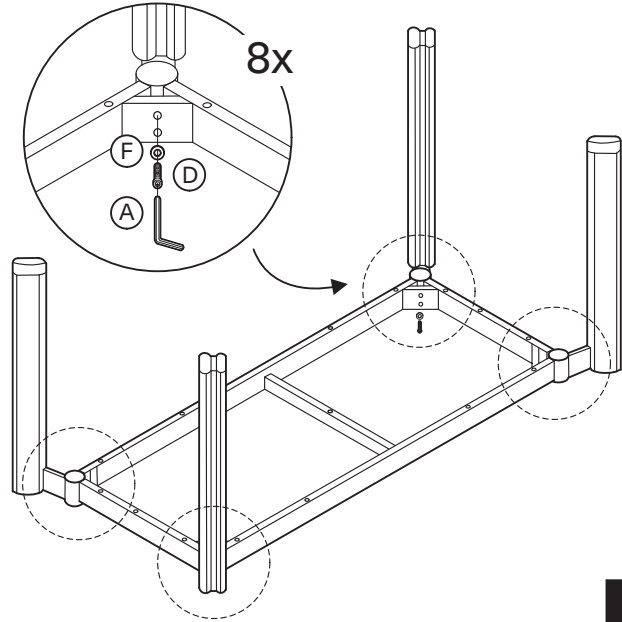
1. Assemble the item on a soft, well-lit surface like cardboard or carpet.
2. For safety and efficiency, it's best to have two or more people assist with assembly to handle heavy parts safely and collaborate effectively.
3. Do not discard any packaging materials until assembly is complete.
4. Before assembling the item, carefully read all provided instructions.
5. Handle tools with care during assembly to prevent injuries.

1

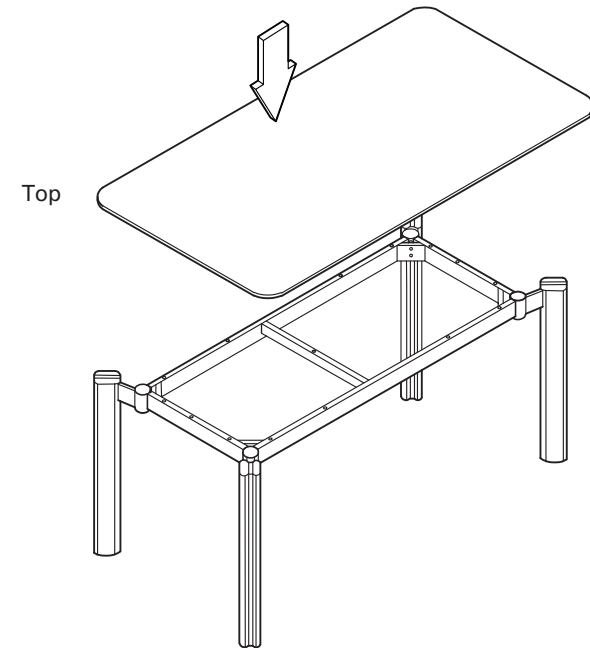


2

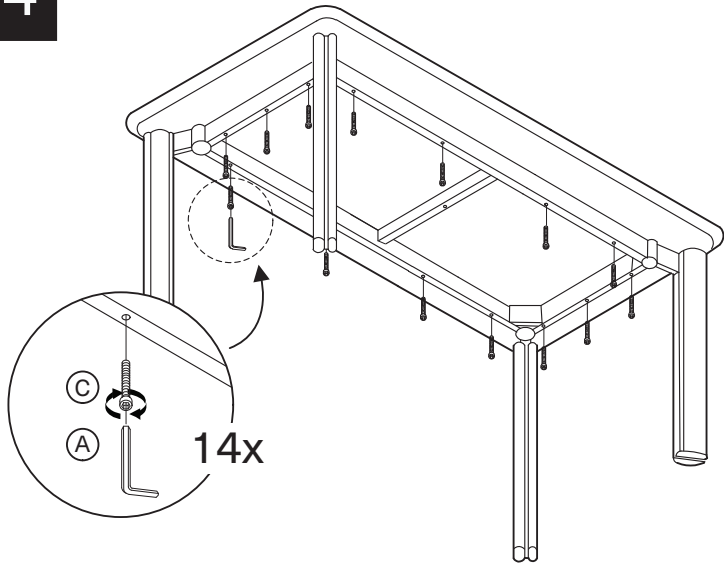
Align legs with frame,  
insert screws, and tighten



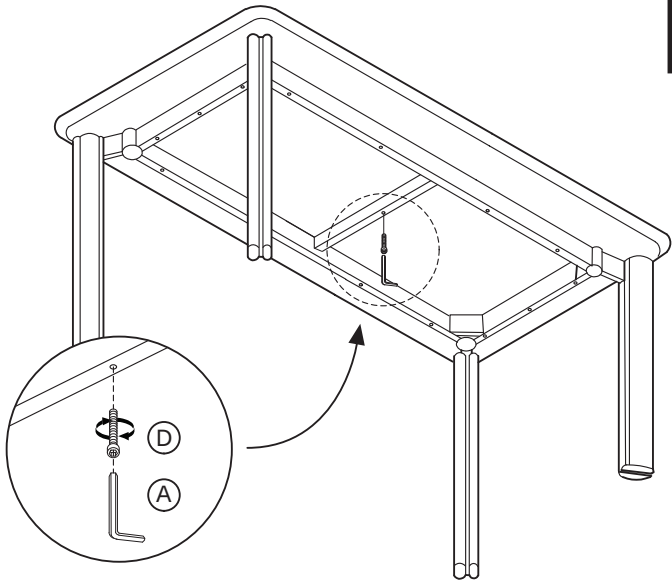
3



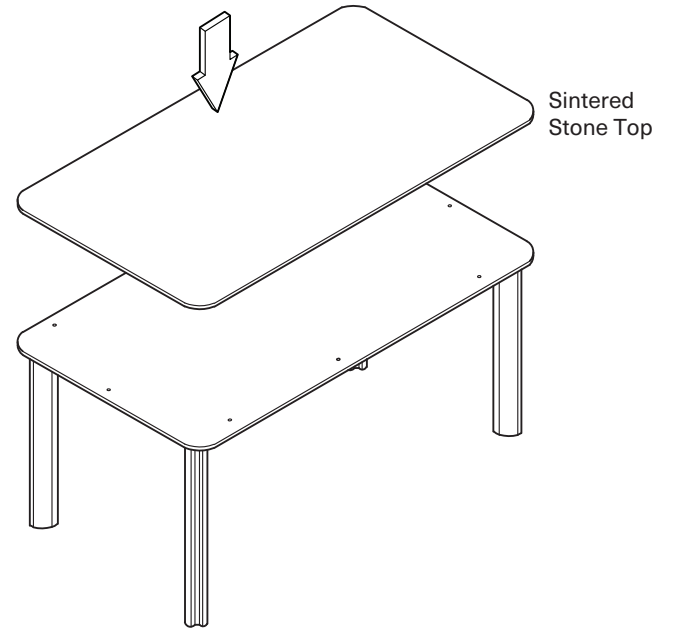
4



5



6



7

