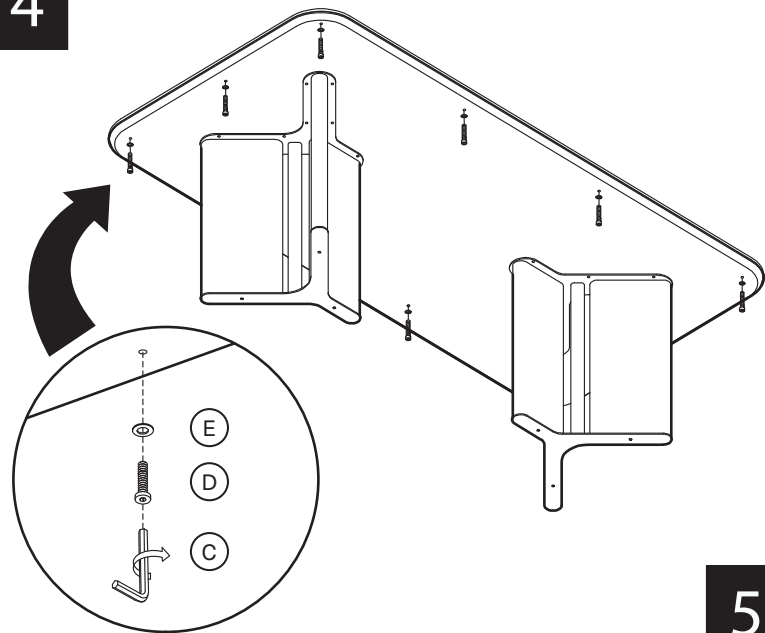
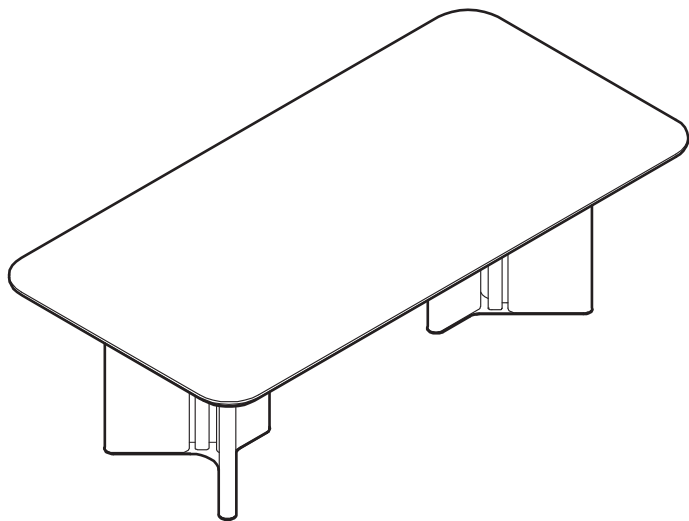


4



5



# KOALA

## L I V I N G

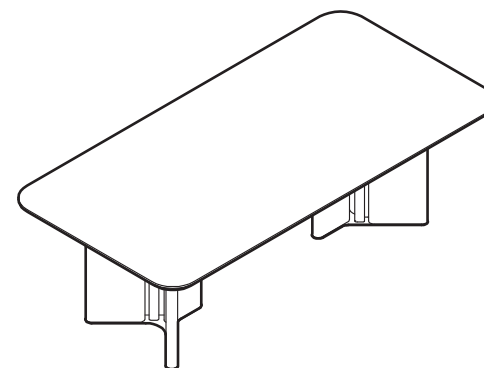
### Assembly Instruction

Product Name: Sir Lionell II Gliding White Sintered Stone Rectangular Dining Table  
Walnut Brown Wooden Legs 240x120x75cm

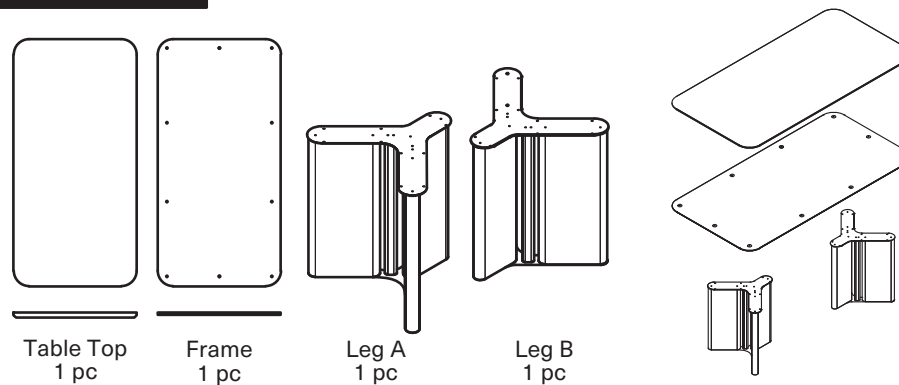
Product Id: 129713

#### Hardware List

- |   |  |                                |        |
|---|--|--------------------------------|--------|
| A |  | Allen Key<br>5mm               | 1 pc   |
| B |  | Allen Bolt<br>8x25mm           | 60 pcs |
| C |  | Allen Key<br>4mm               | 1 pc   |
| D |  | Allen Bolt<br>6x25mm           | 10 pcs |
| E |  | Washer<br>6x16mm               | 10 pcs |
| F |  | Stopper<br>(Already Assembled) | 6 pcs  |



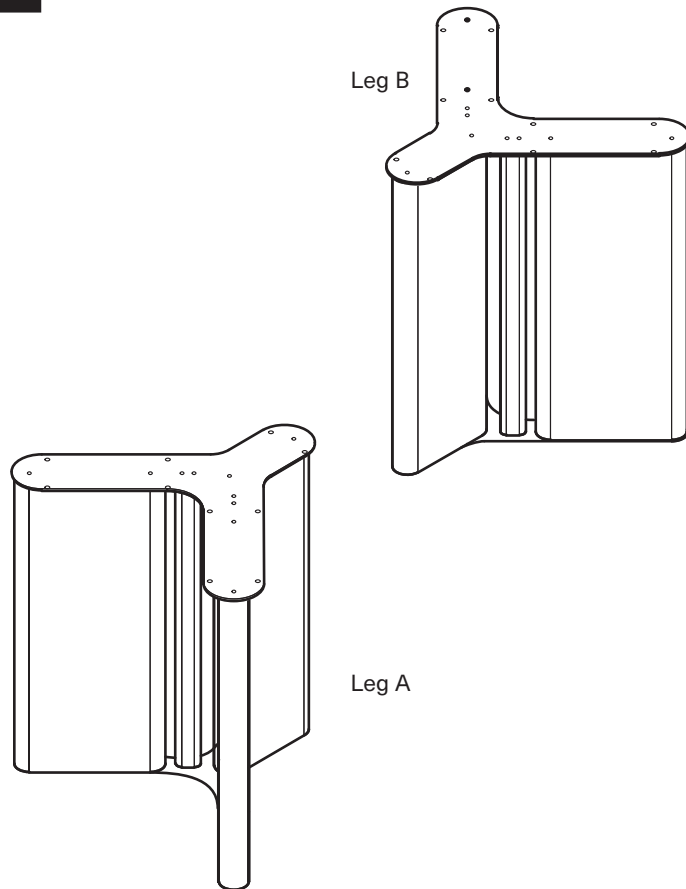
#### Part List



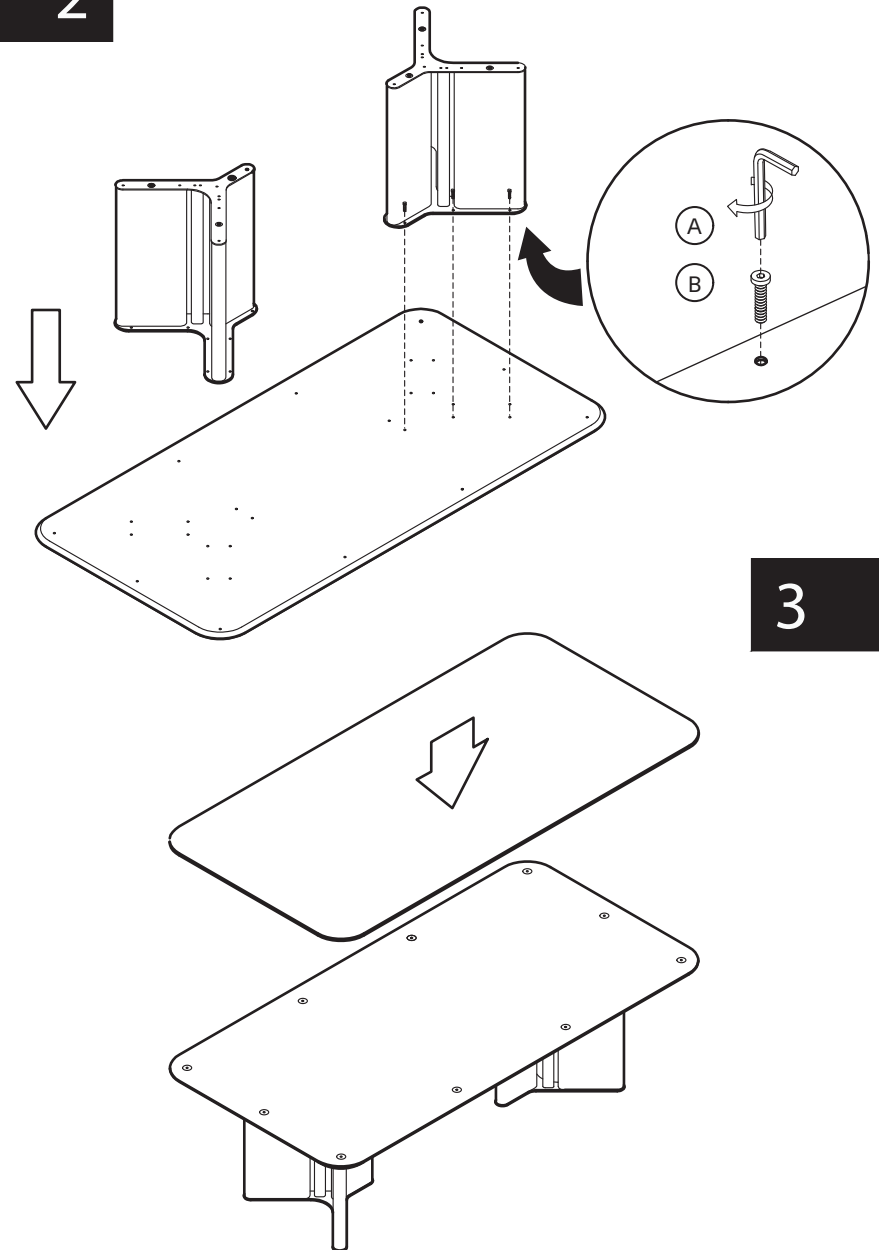
## Note

1. Assemble the item on a soft, well-lit surface like cardboard or carpet.
2. For safety and efficiency, it's best to have two or more people assist with assembly to handle heavy parts safely and collaborate effectively.
3. Keep all packaging materials intact until assembly is complete.
4. Before assembling the item, carefully read all provided instructions.
5. Handle tools with care during assembly to prevent injuries.

1



2



3