


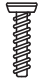



KOALA

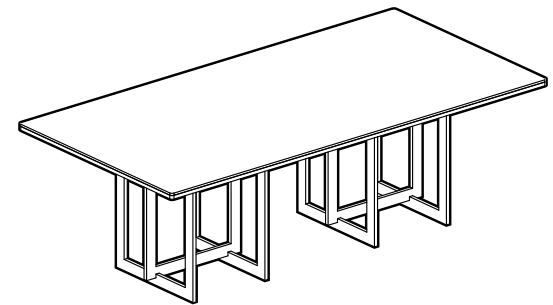
L I V I N G

Assembly Instruction

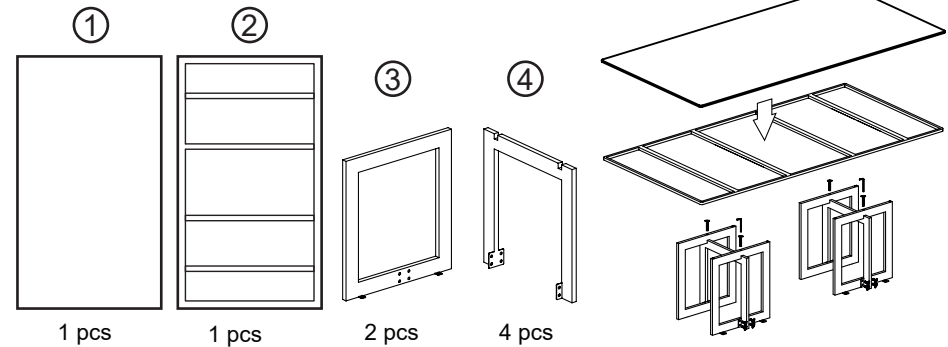
Product Name: Maia White Sintered Stone Dining Table
Brushed Champagne Gold Stainless Steel Legs 200x100cm
Product Id: 129264

Hardware List

- | | | | |
|---|---|------------------------|--------|
| A |  | Allen Bolt
M6x10mm | 24 pcs |
| B |  | Allen Bolt
M6x70mm | 4 pcs |
| C |  | Washer
M8x22x1.5mm | 8 pcs |
| D |  | Allen Key | 1 pc |
| E |  | Silicone Cap
12x2mm | 8 pcs |



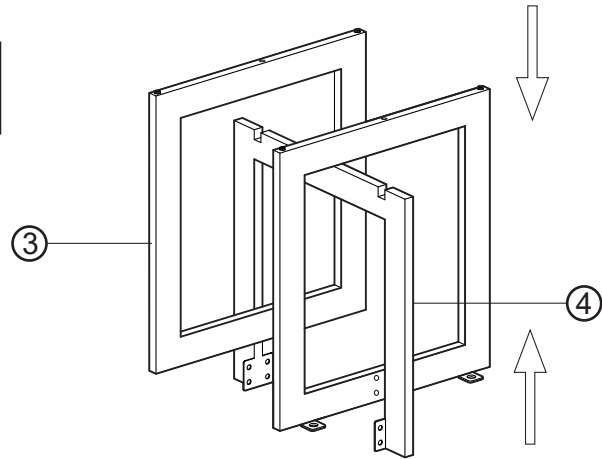
Part List



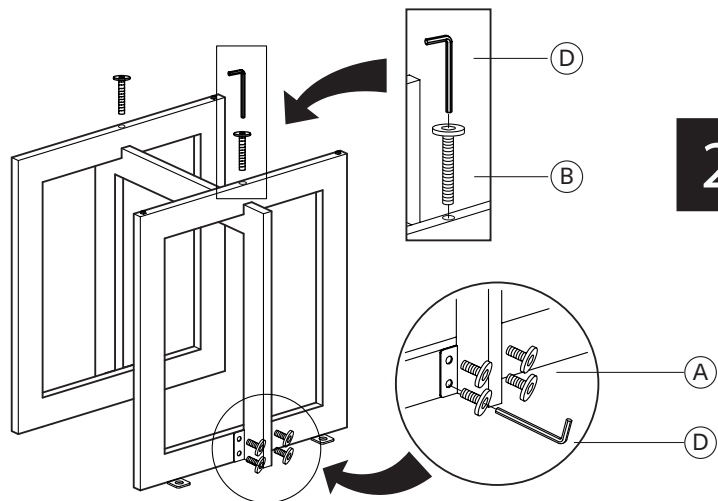
Note

1. Assemble the item on a soft, well-lit surface like cardboard or carpet.
2. For safety and efficiency, it's best to have two or more people assist with assembly to handle heavy parts safely and collaborate effectively.
3. Keep all packaging materials intact until assembly is complete.
4. Before assembling the item, carefully read all provided instructions.
5. Handle tools with care during assembly to prevent injuries.

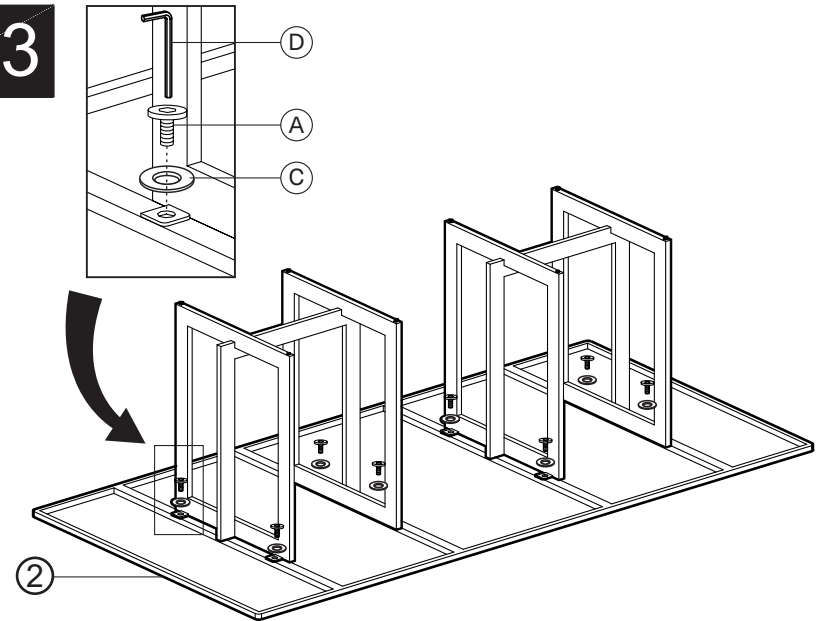
1



2



3



4

