

# KOALA





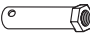

## L I V I N G

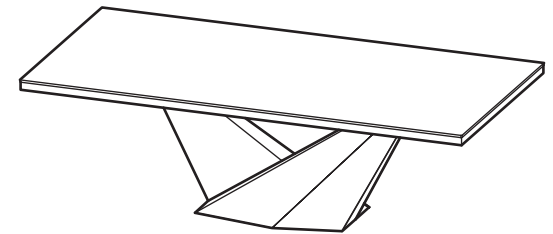
### Assembly Instruction

Product Name: Vania Statuario White Sintered Stone Dining Table  
Brushed Bronze Legs 240x118cm

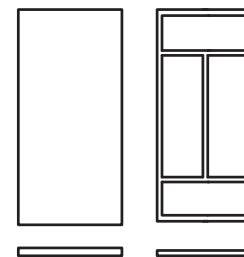
Product Id: 130609

#### Hardware List

- |   |   |                     |        |
|---|---|---------------------|--------|
| A |  | Allen Key<br>5mm    | 1 pc   |
| B |  | Allen Bolt<br>M8*60 | 4 pcs  |
| C |  | Washer<br>Ø20*8     | 4 pcs  |
| D |  | Nut<br>M8           | 4 pcs  |
| E |  | Bolt<br>M8          | 1 pc   |
| F |  | Silicone Cap        | 10 pcs |



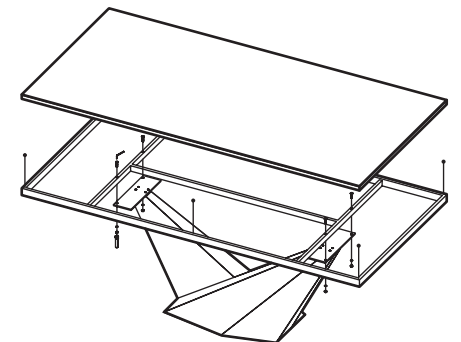
#### Part List



Top  
1 pc

Frame  
1 pc

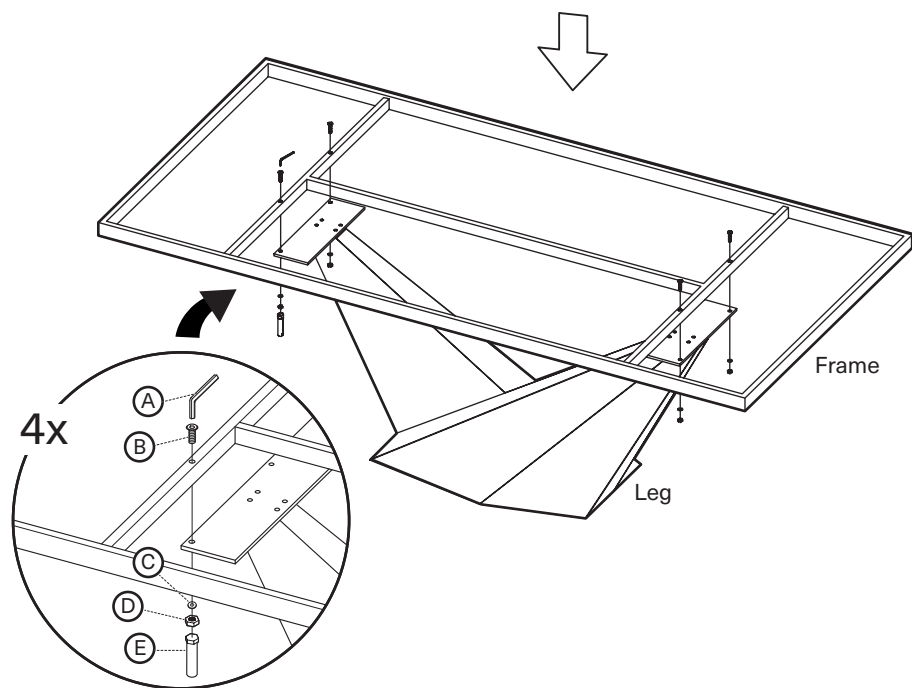
Leg  
1 pc



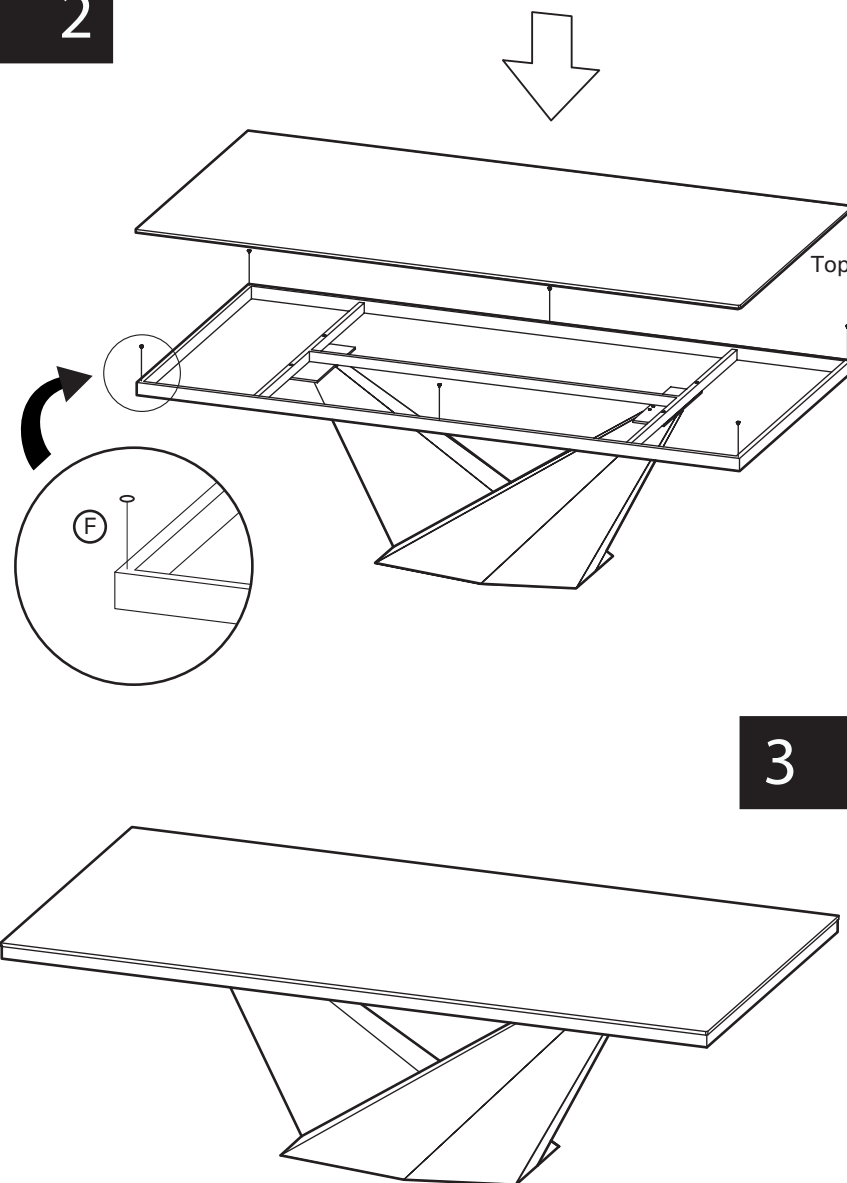
## Note

1. Assemble the item on a soft, well-lit surface like cardboard or carpet.
2. For safety and efficiency, it's best to have two or more people assist with assembly to handle heavy parts safely and collaborate effectively.
3. Keep all packaging materials intact until assembly is complete.
4. Before assembling the item, carefully read all provided instructions.
5. Handle tools with care during assembly to prevent injuries.

1



2



3

