



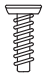



KOALA

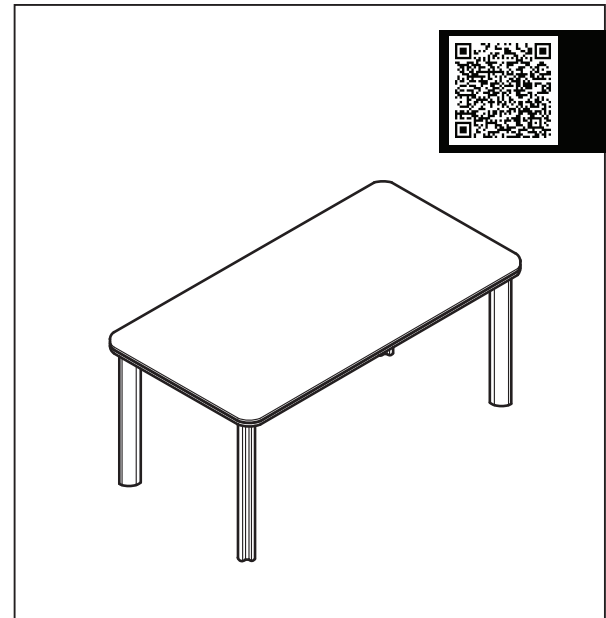
L I V I N G

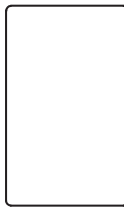
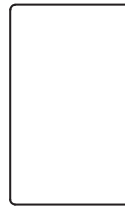
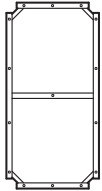

Assembly Instruction

Product Name: Portobello Pandora Brown Sintered Stone Top Dining Table
Light Brown Ash Legs 160x90cm

Product Id: 129948

Hardware List			
A		Allen Key 5mm	1 pc
B		Allen Key 4mm	1 pc
C		Allen Bolt M8*90	14 pcs
D		Allen Bolt M8*50	9 pcs
E		Allen Bolt 6*16	8 pcs
F		Washer 8*20	8 pcs

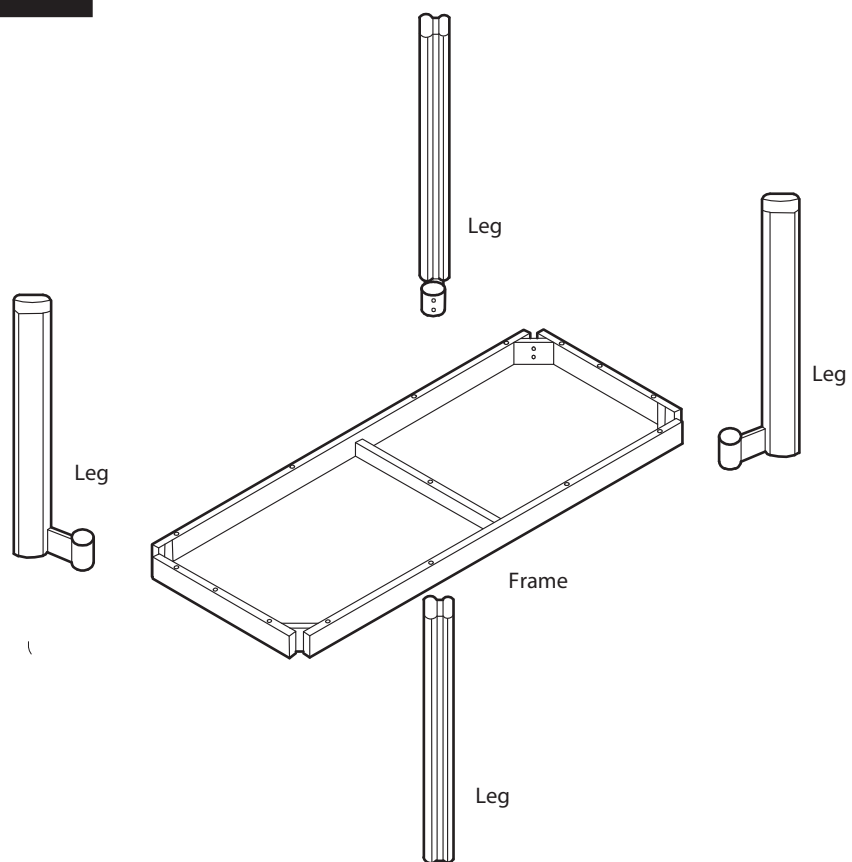


Part List			
			
Sintered Stone Top 1 pc	Top 1 pc	Frame 1 pc	Leg 4 pcs

Note

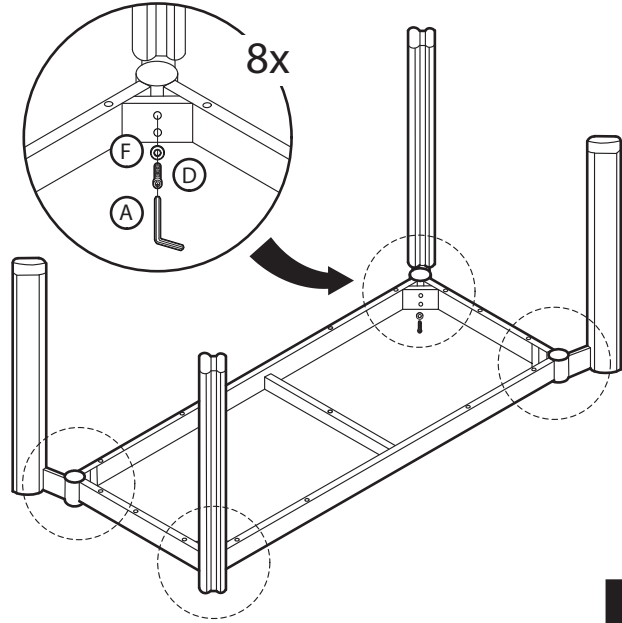
1. Assemble the item on a soft, well-lit surface like cardboard or carpet.
2. For safety and efficiency, it's best to have two or more people assist with assembly to handle heavy parts safely and collaborate effectively.
3. Keep all packaging materials intact until assembly is complete.
4. Before assembling the item, carefully read all provided instructions.
5. Handle tools with care during assembly to prevent injuries.

1



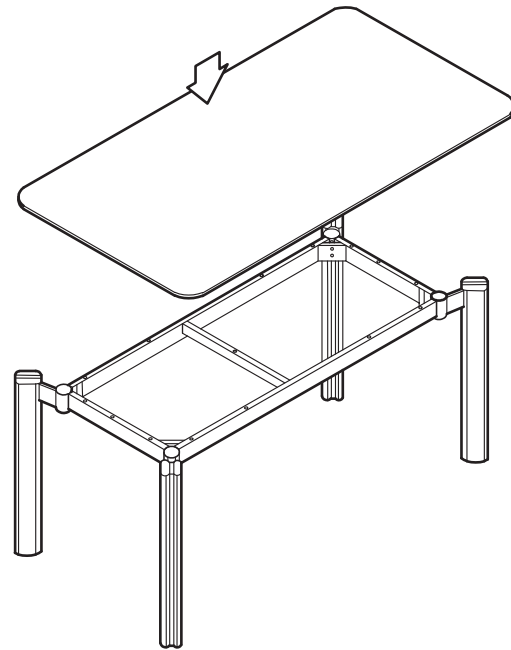
2

Align legs with frame,
insert screws, and tighten

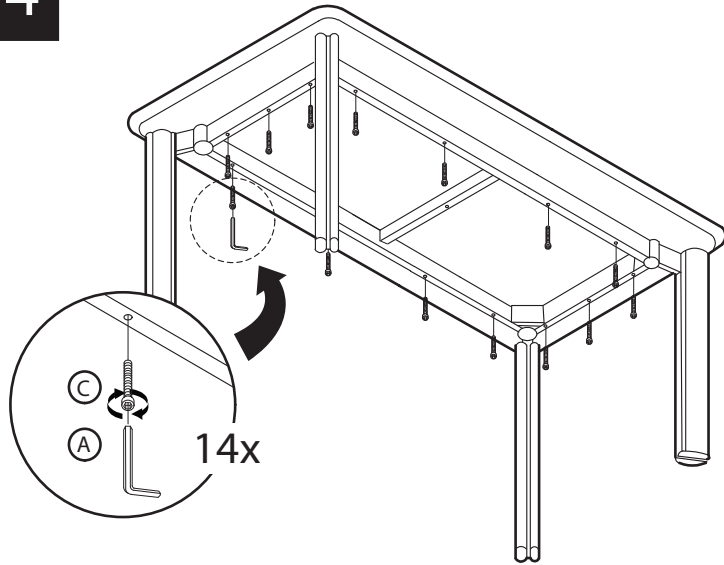


3

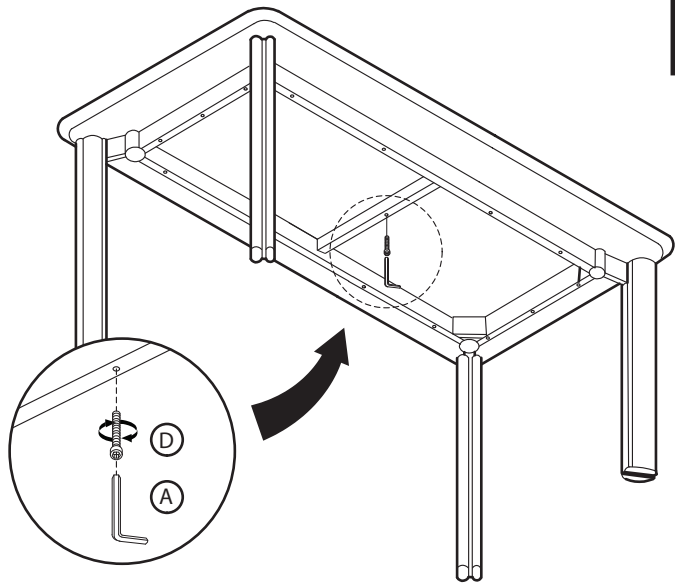
Top



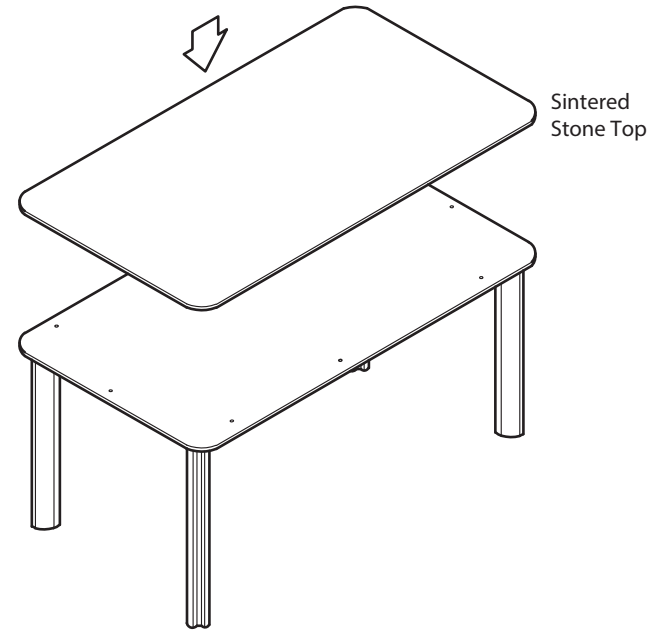
4



5



6



7

