

KOALA






L I V I N G

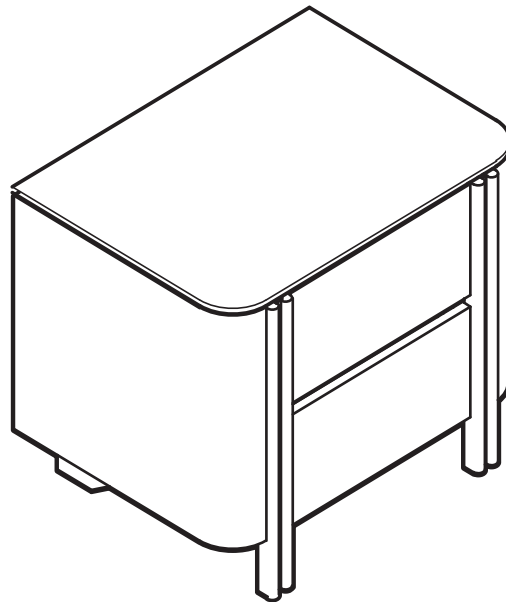
Assembly Instruction

Product Name: Portobello Light Brown Ash Veneer Bedside Table
Pandora Brown Sintered Stone Top

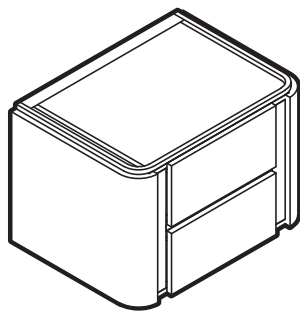
Product Id: 129105

Hardware List

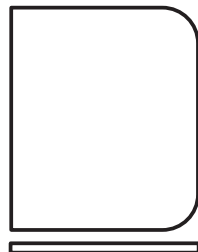
A		Allen Key 4mm	1 pc
B		Allen Bolt M6*70	8 pcs
C		Allen Bolt 6*13	8 pcs
D		Wood Dowel 8*30	8 pcs
E		Self tapping 3.5*40	8 pcs



Part List



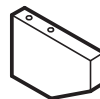
Sideboard Base
1 pc



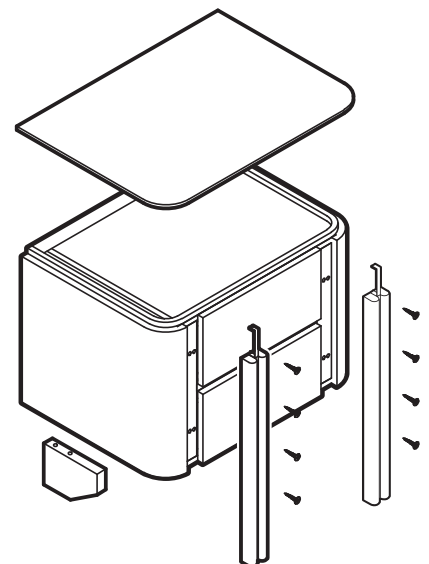
Top
1 pc



Support
2 pcs



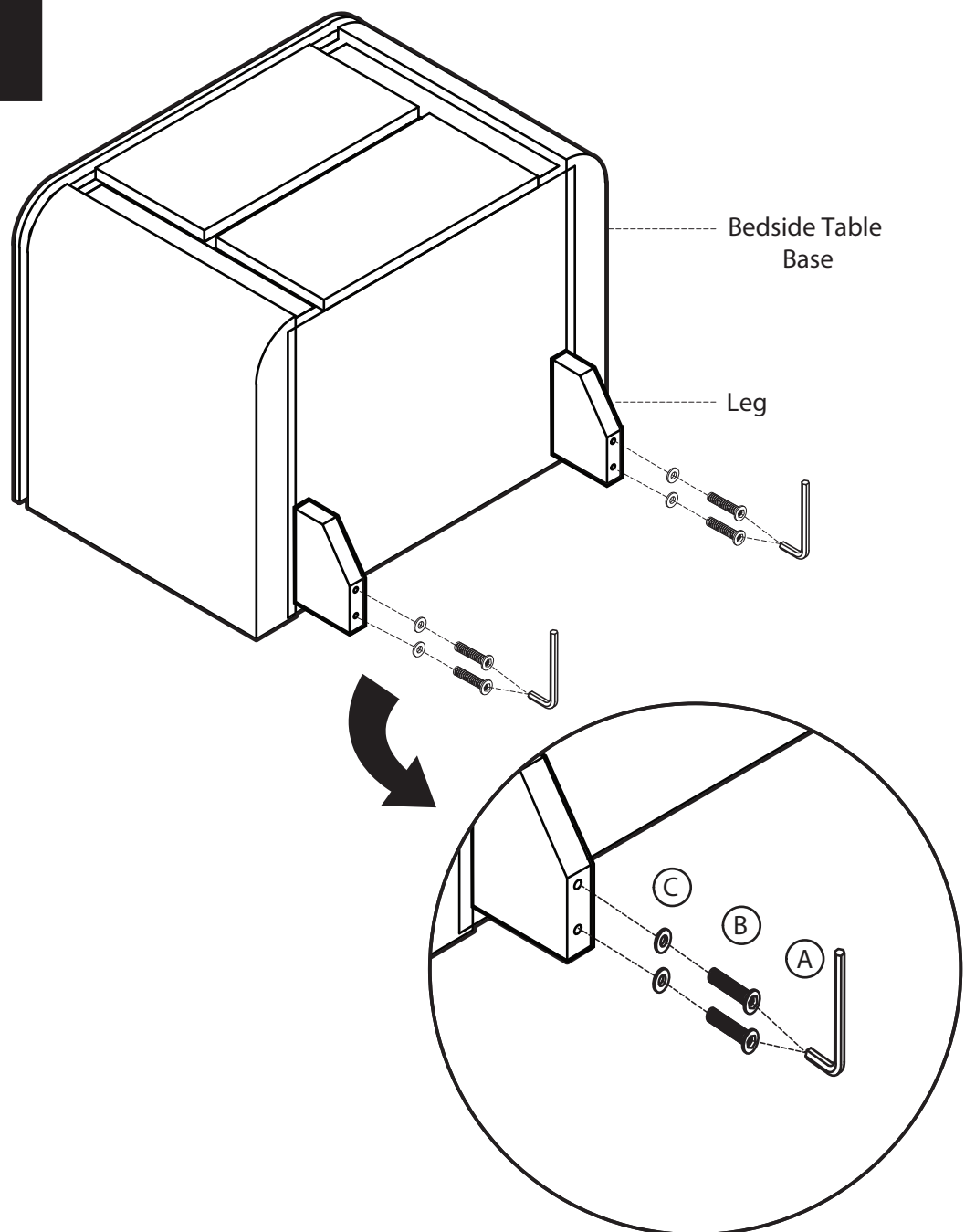
Leg
2 pcs



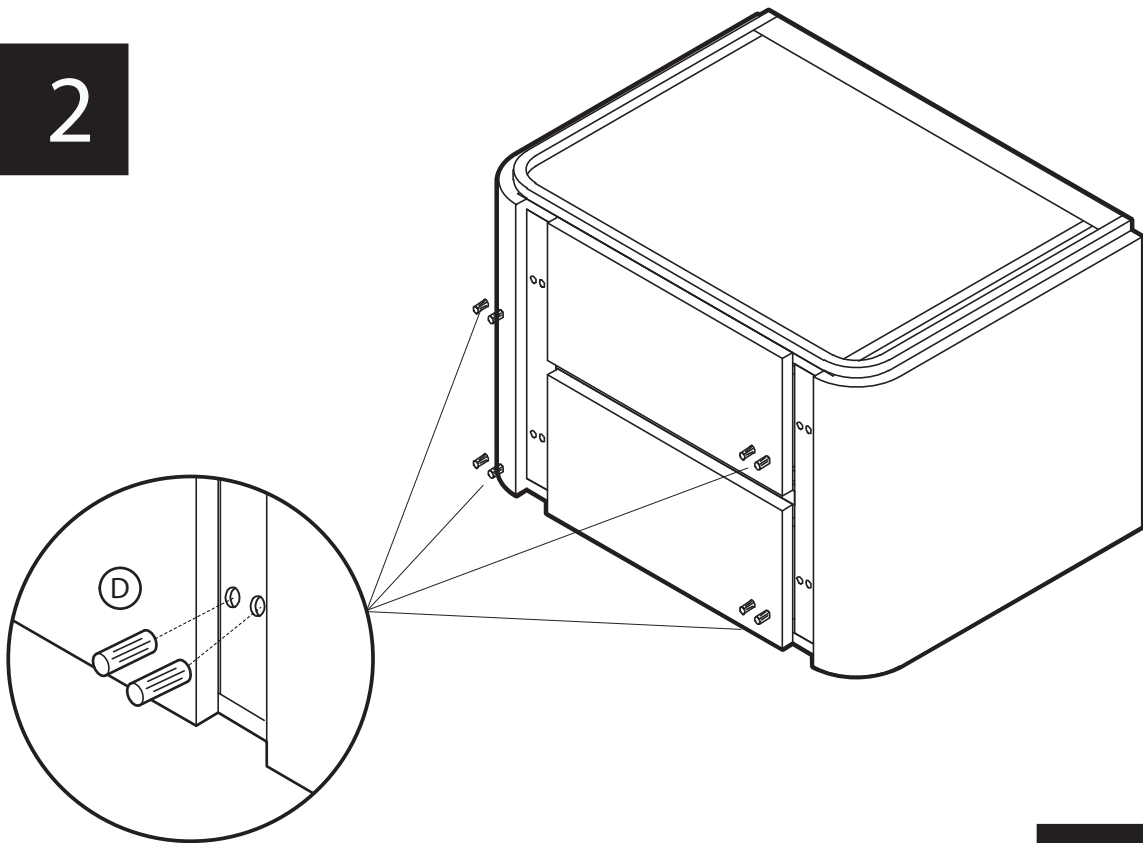
Note

1. Assemble the item on a soft, well-lit surface like cardboard or carpet.
2. For safety and efficiency, it's best to have two or more people assist with assembly to handle heavy parts safely and collaborate effectively.
3. Keep all packaging materials intact until assembly is complete.
4. Before assembling the item, carefully read all provided instructions.
5. Handle tools with care during assembly to prevent injuries.

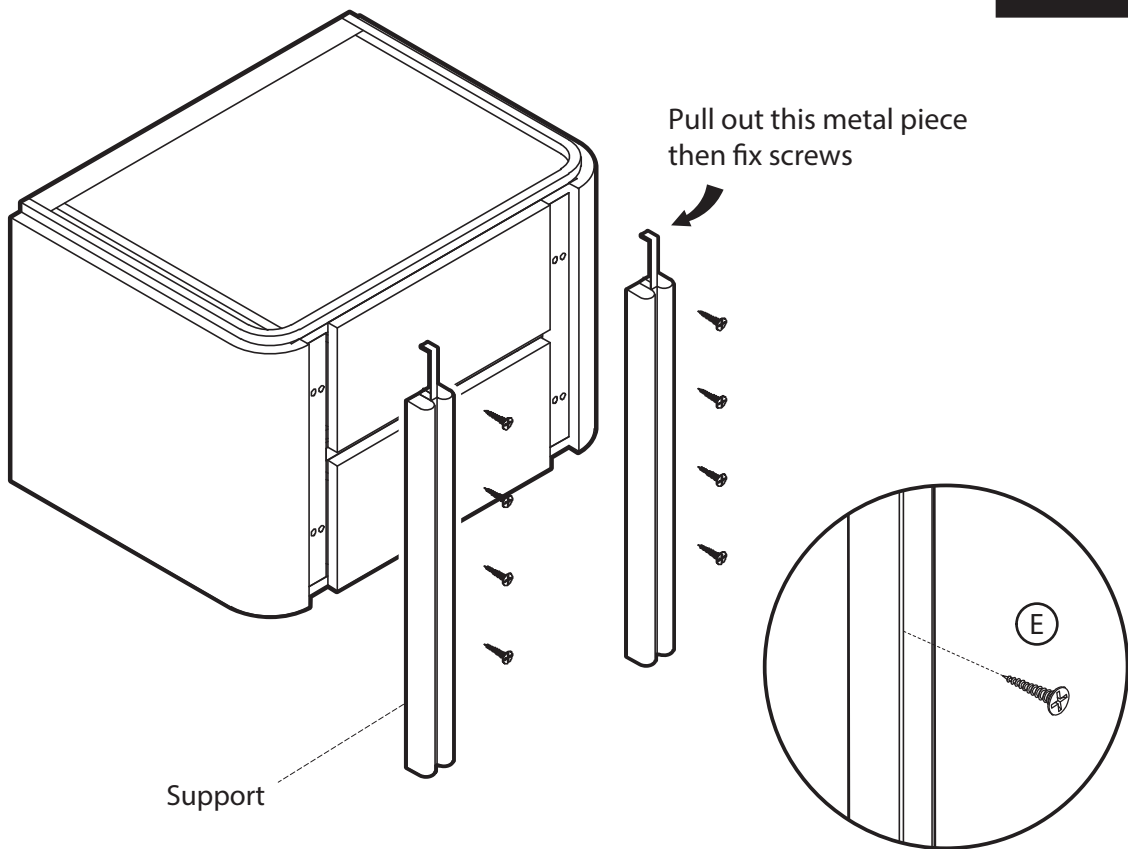
1



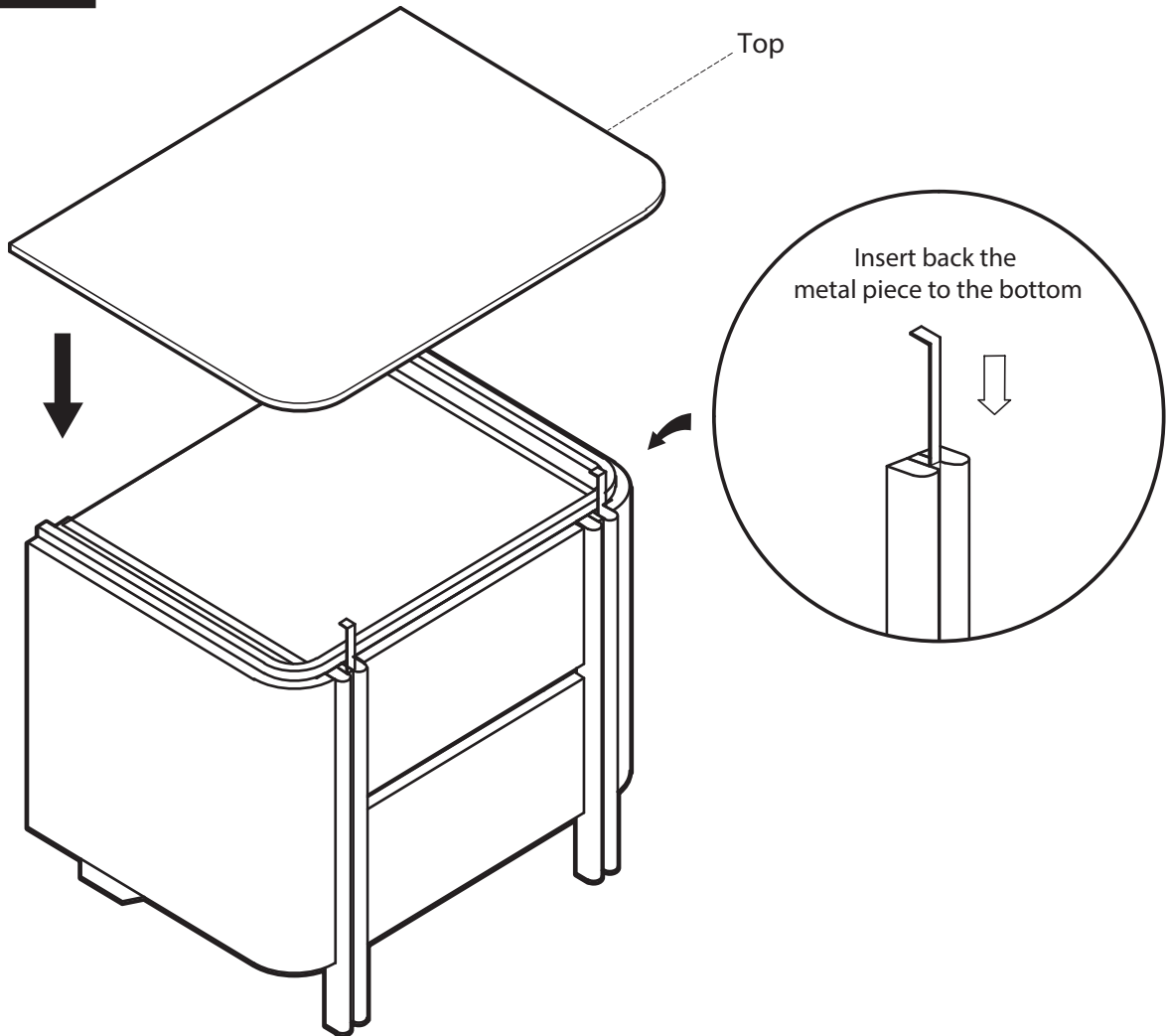
2



3



2



⚠ Warning

1. Always secure this furniture with an anchor device
2. Never allow children to stand, climb or hang on drawers, doors, or shelves
3. Never open more than one drawer at a time
4. Place heavy items down low

