


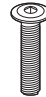


KOALA

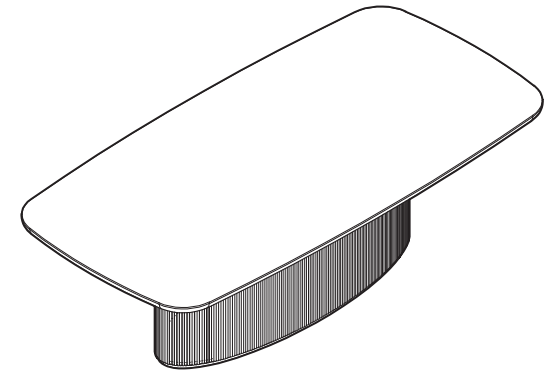
L I V I N G

Assembly Instruction

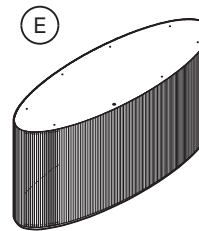
Product Name: Terra Linea Amber Ash Veneer Dining Table - Single Leg 240cm x 120cm
Product Id: 131639

Hardware List

- | | | | |
|---|---|---|--------|
| A |  | Washer
8*19 | 16 pcs |
| B |  | Allen Bolt
M8*40 | 16 pcs |
| C |  | Allen Key
5mm | 1 pc |
| D |  | Adjustable Stopper
(Already Assembled) | 4 pcs |



Part List



Base
1 pc

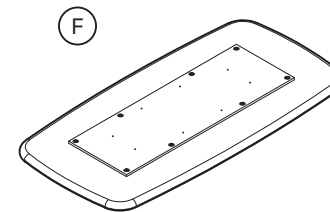
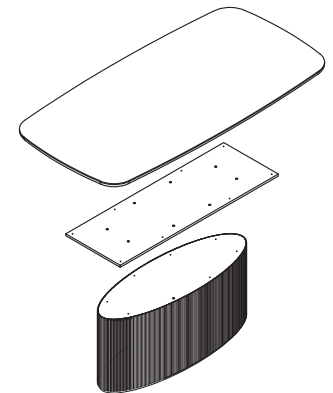


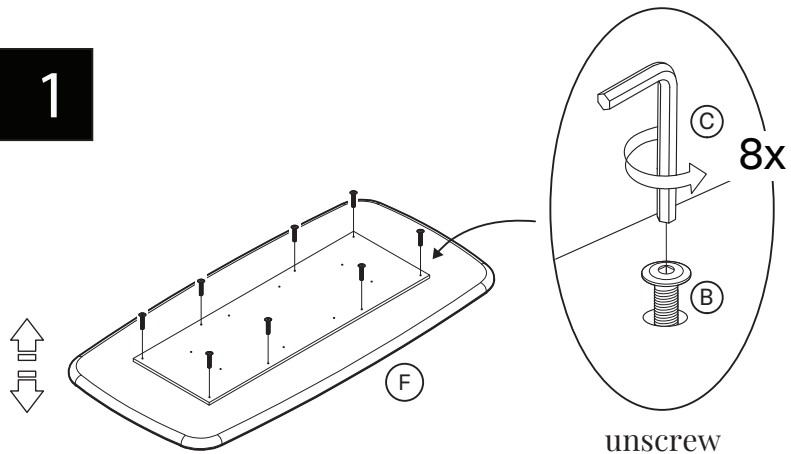
Table Top
1 pc



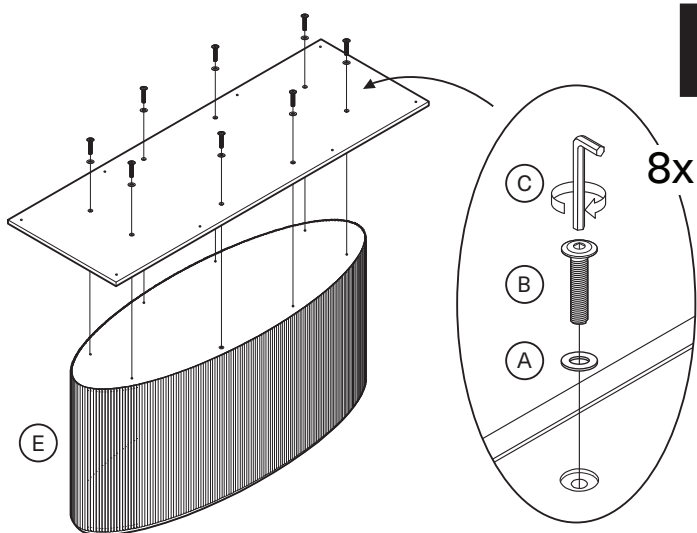
Note

1. Assemble the item on a soft, well-lit surface like cardboard or carpet.
2. For safety and efficiency, it's best to have two or more people assist with assembly to handle heavy parts safely and collaborate effectively.
3. Keep all packaging materials intact until assembly is complete.
4. Before assembling the item, carefully read all provided instructions.
5. Handle tools with care during assembly to prevent injuries.

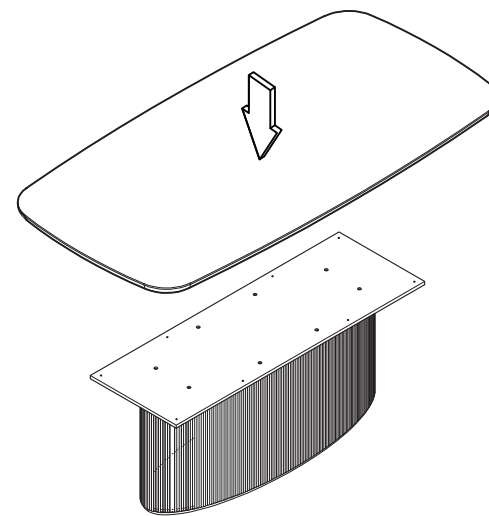
1



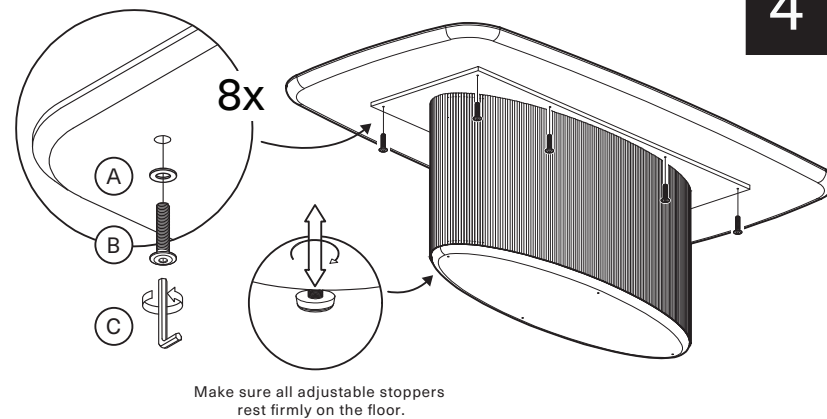
2



3



4



5

