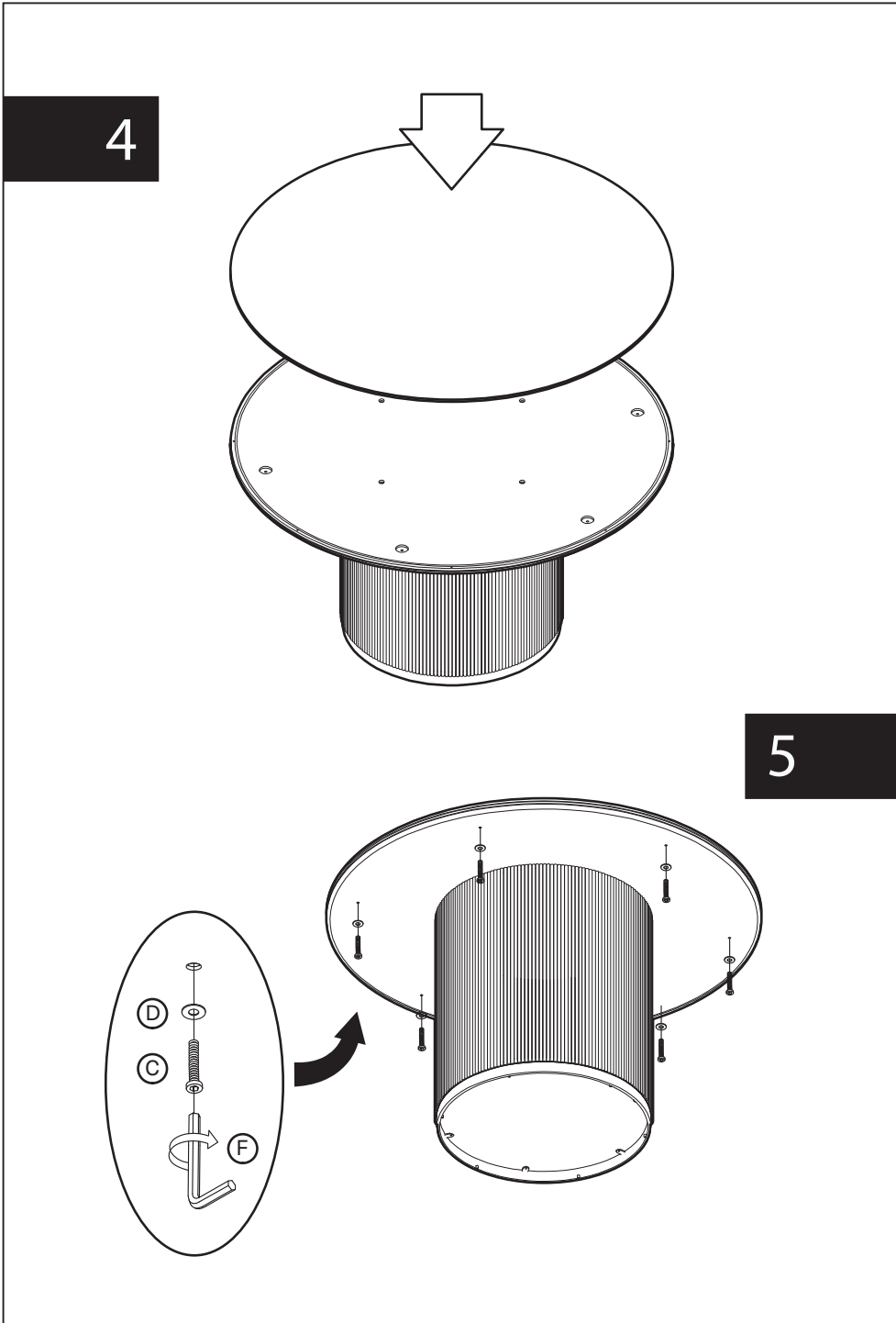








KOALA

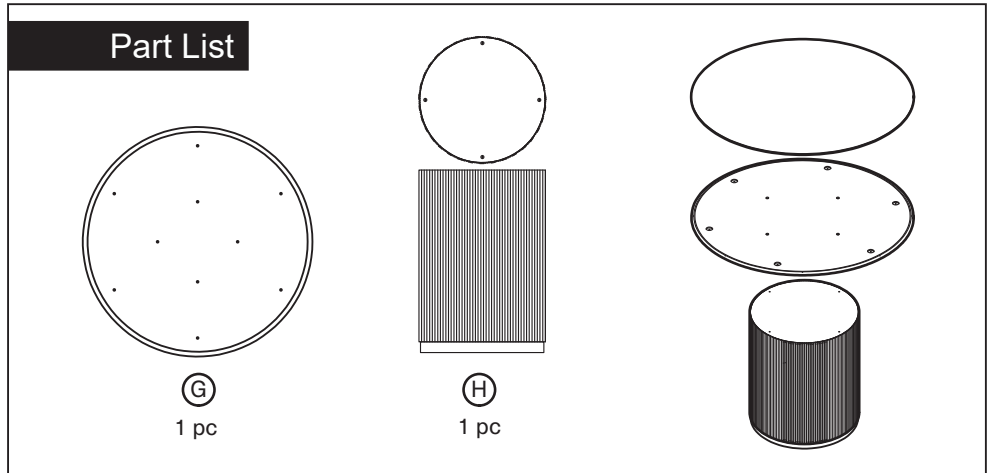
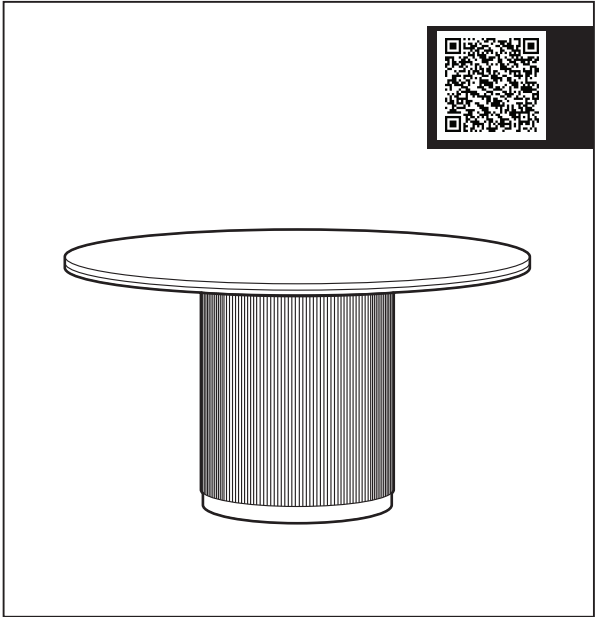
L I V I N G

Assembly Instruction

Product Name: San Pierre Ebony Brown Ash Round Dining Table
 Single Leg - Cream Travertine Finish Sintered Stone Top 120cm
 Product Id: 129957



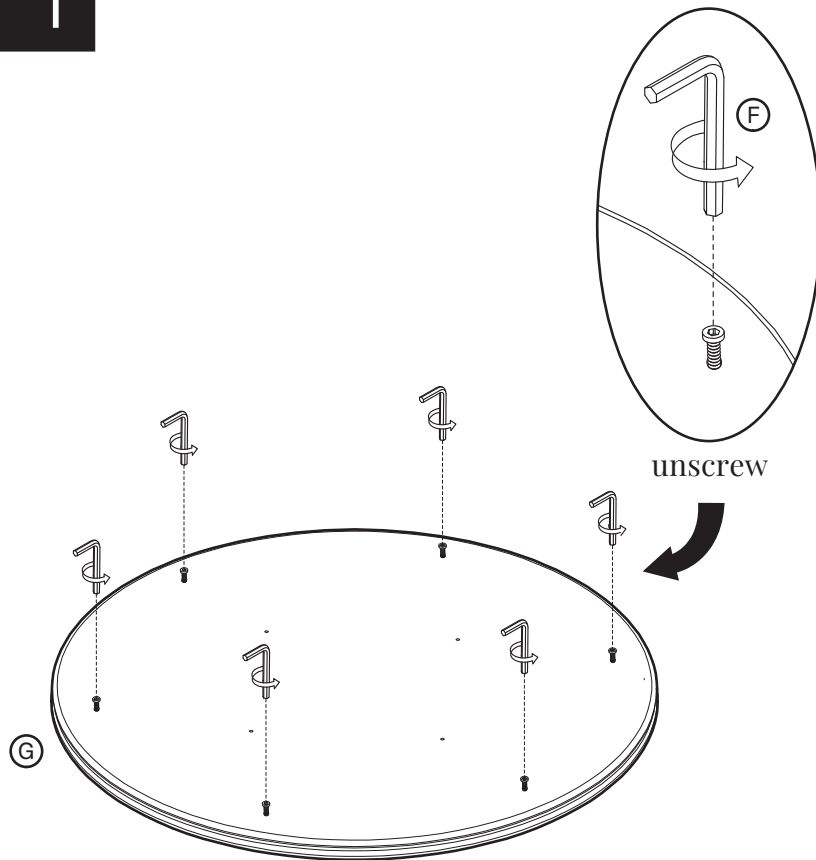
Hardware List			
A		Allen Bolt M8*40	4 pcs
B		Washer 8*19	4 pcs
C		Allen Bolt M6*25	6 pcs
D		Washer 6*16	6 pcs
E		Allen Key 5mm	1 pc
F		Allen Key 4mm	1 pc



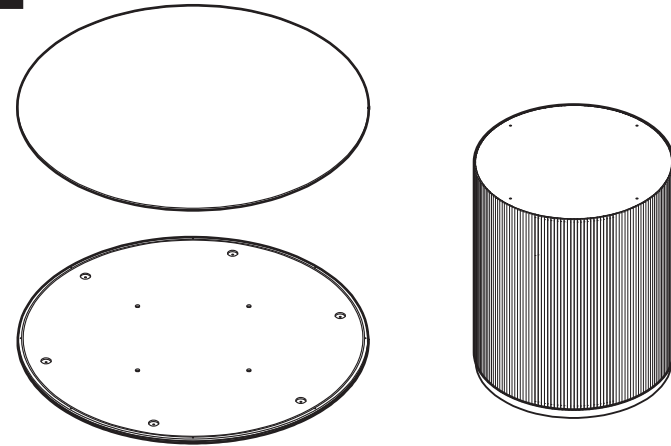
Note

1. Assemble the item on a soft, well-lit surface like cardboard or carpet.
2. For safety and efficiency, it's best to have two or more people assist with assembly to handle heavy parts safely and collaborate effectively.
3. Keep all packaging materials intact until assembly is complete.
4. Before assembling the item, carefully read all provided instructions.
5. Handle tools with care during assembly to prevent injuries.

1



2



3

