

KOALA








L I V I N G

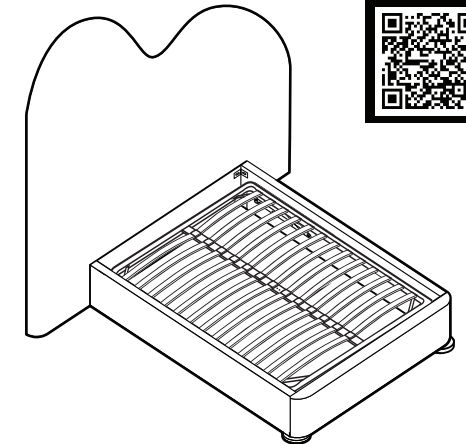
Assembly Instruction

Product Name: Poppy Dusty Pink Chenille Fabric King Single Bed

Product Id: 129503

Hardware List

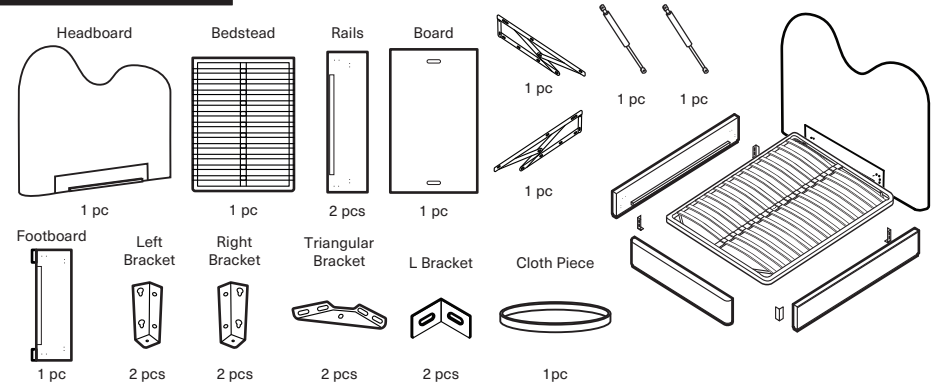
A		Allen Bolt M8X35mm	36 pcs
B		Allen Wrench 5mm	1 pc
C		Allen Bolt M8X50mm	6 pcs
D		Flat Washer M8	6 pcs
E		Nut M8	6 pcs
F		Flat Washer M6	4 pcs
G		Nut M6	4 pcs



Note

The bolts (A) are pre-installed on the bed head, side rails, footboard.
Please unscrew them to assemble the bed.

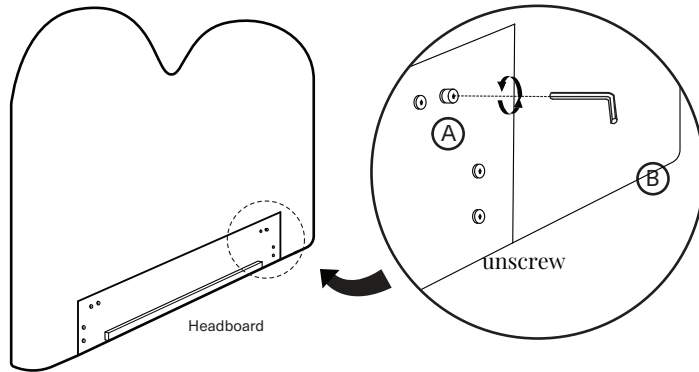
Part List



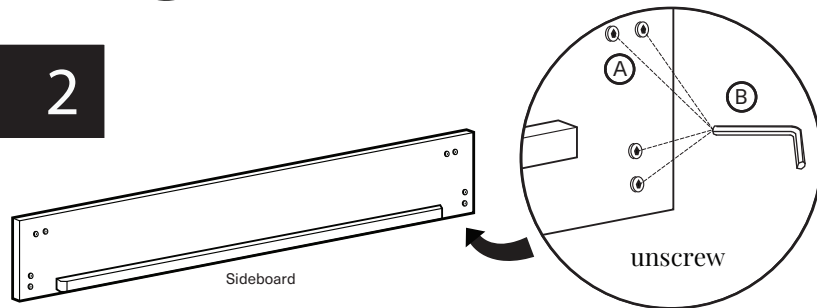
Note

1. Assemble the item on a soft, well-lit surface like cardboard or carpet.
2. For safety and efficiency, it's best to have two or more people assist with assembly to handle heavy parts safely and collaborate effectively.
3. Keep all packaging materials intact until assembly is complete.
4. Before assembling the item, carefully read all provided instructions.
5. Handle tools with care during assembly to prevent injuries.

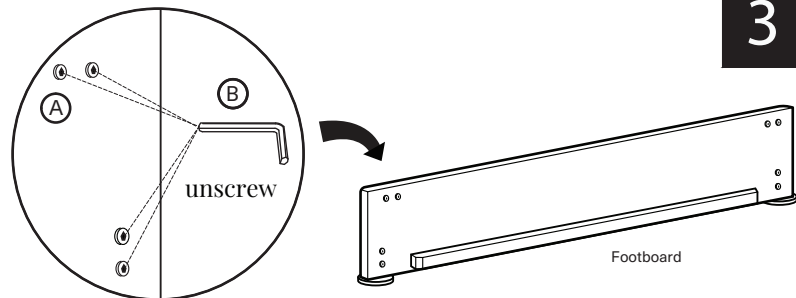
1



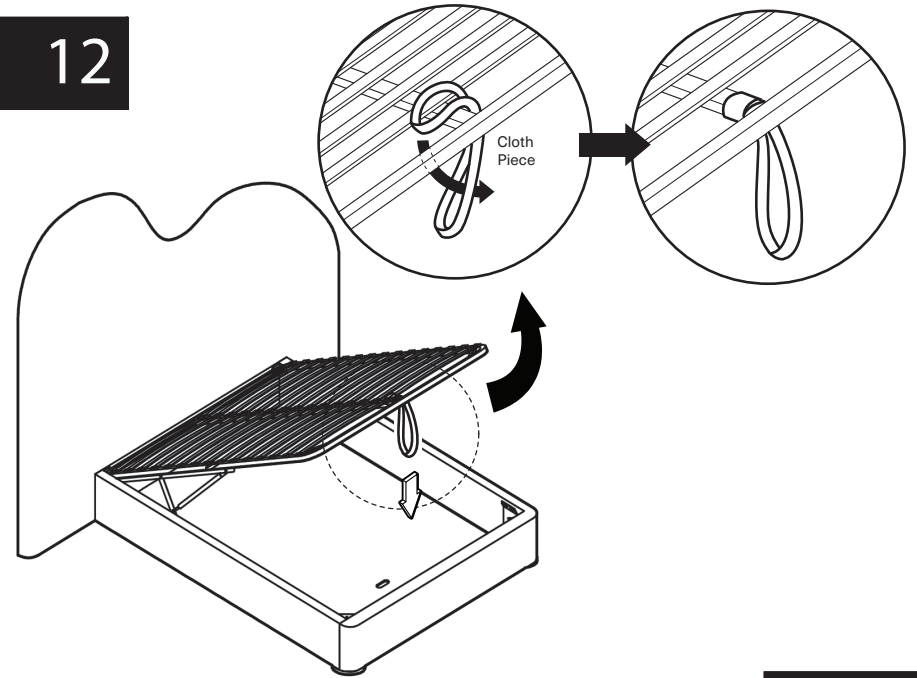
2



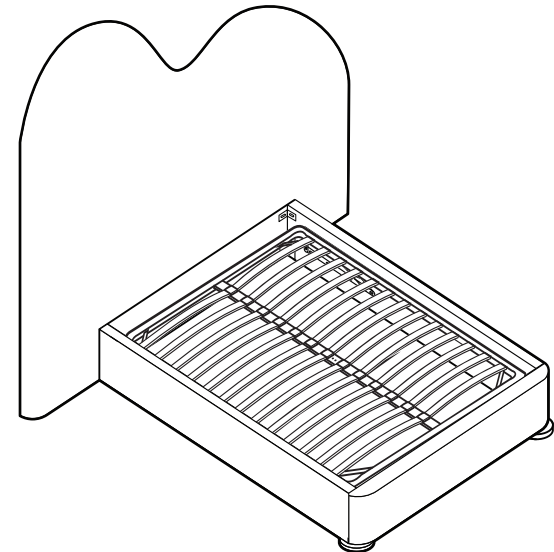
3



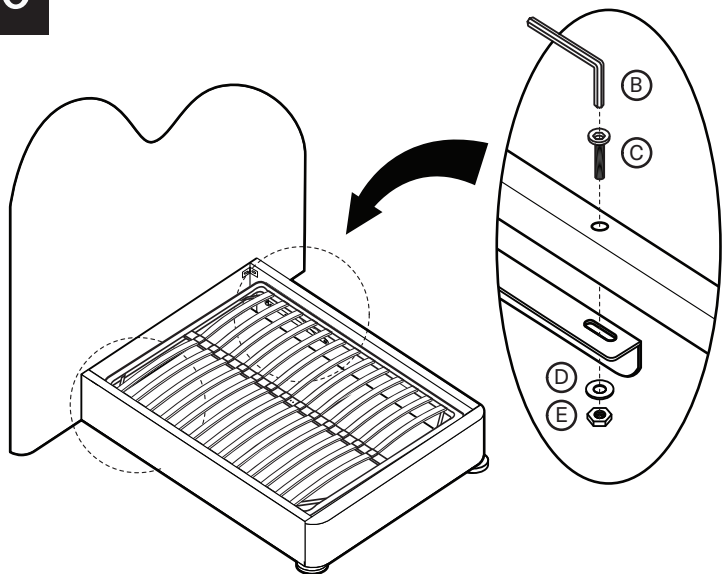
12



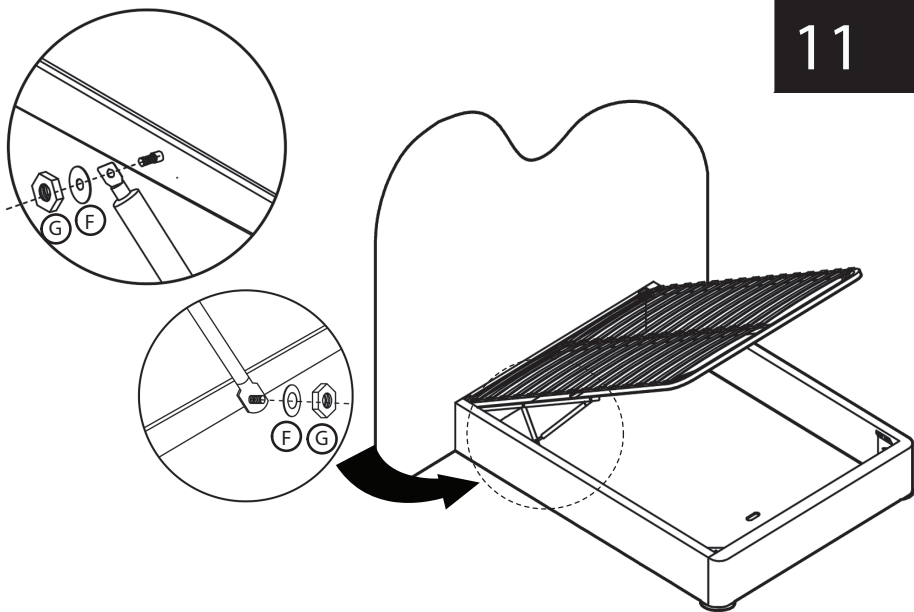
13



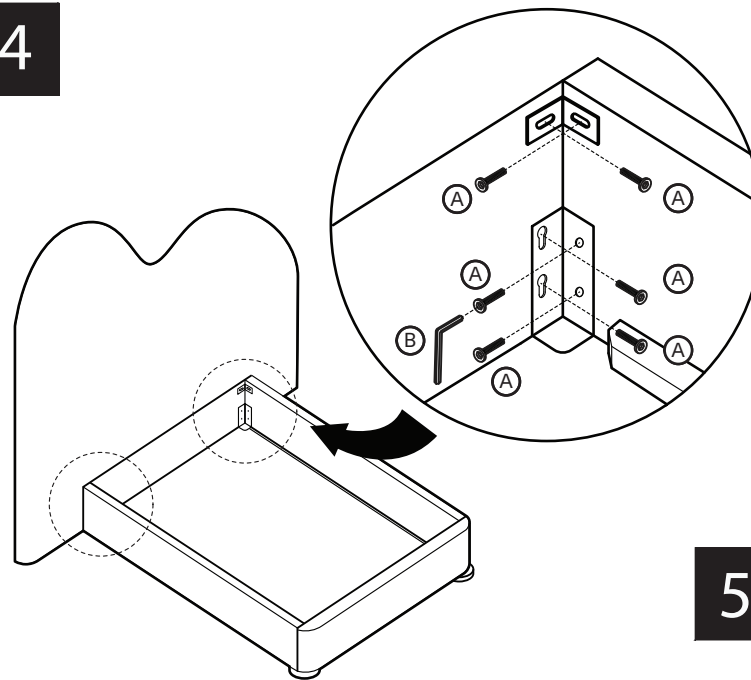
10



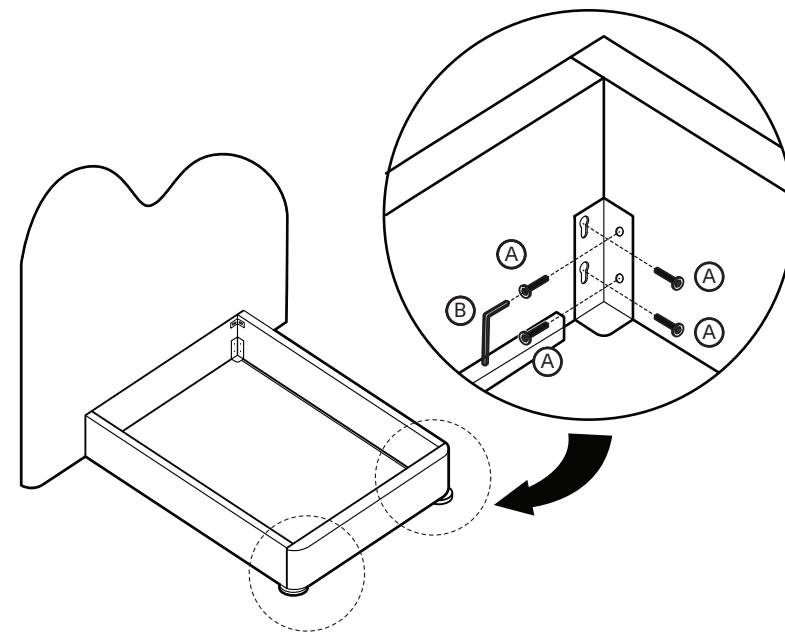
11



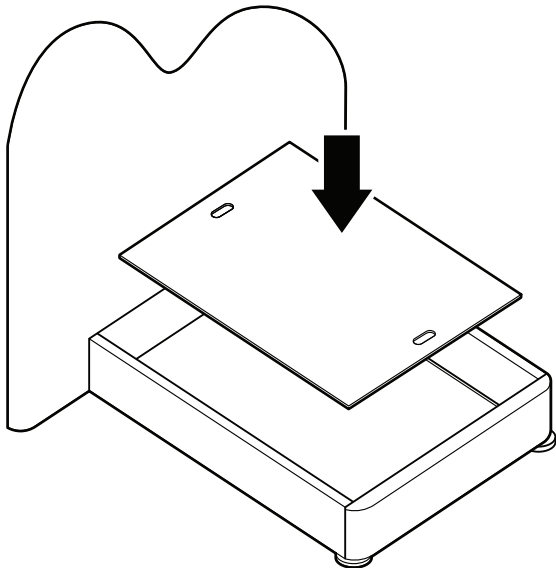
4



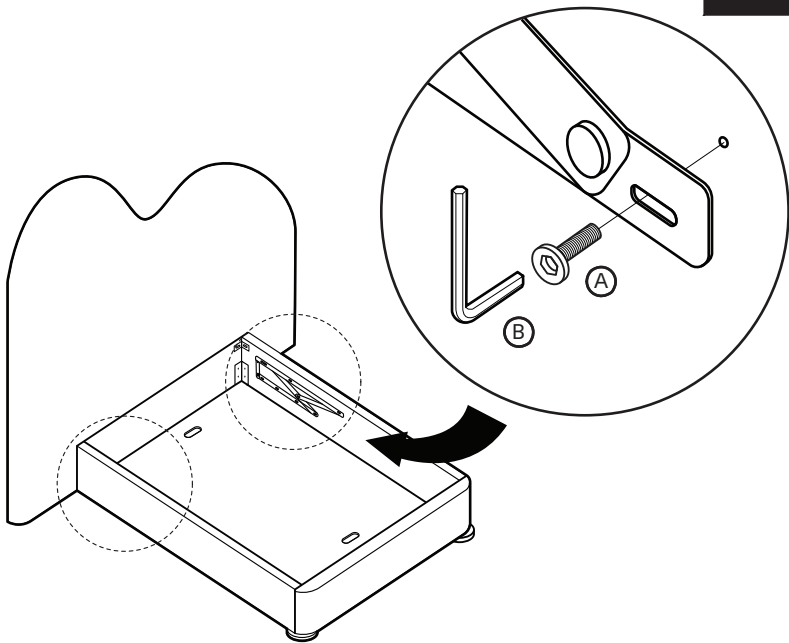
5



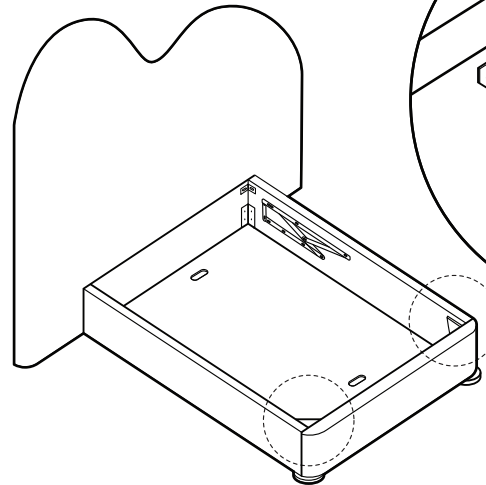
6



7



8



9

