





KOALA

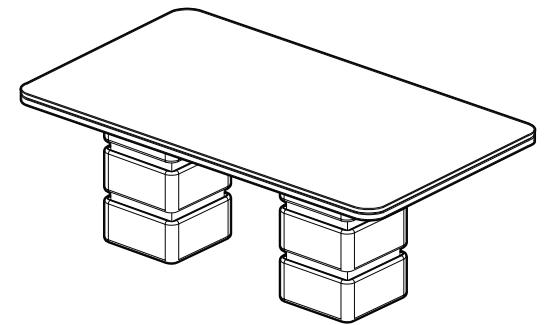
L I V I N G

Assembly Instruction

Product Name: Whimsy Walnut Brown Wooden Dining Table - Taj Mahal Sintered Stone Top
Product Id: 130271

Hardware List

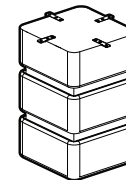
- A  Allen Key 5mm 1 pc
- B  Allen Bolt M8x20mm 16 pcs
- C  Allen Bolt M8x25mm 8 pcs
- D  Mending Plate 100*30*4 8 pcs



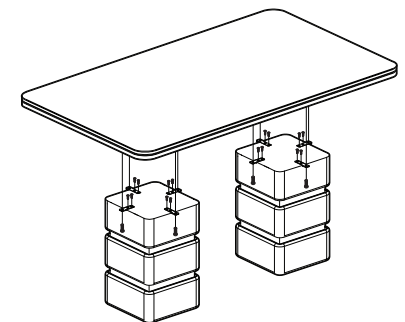
Part List



Top
1 pc



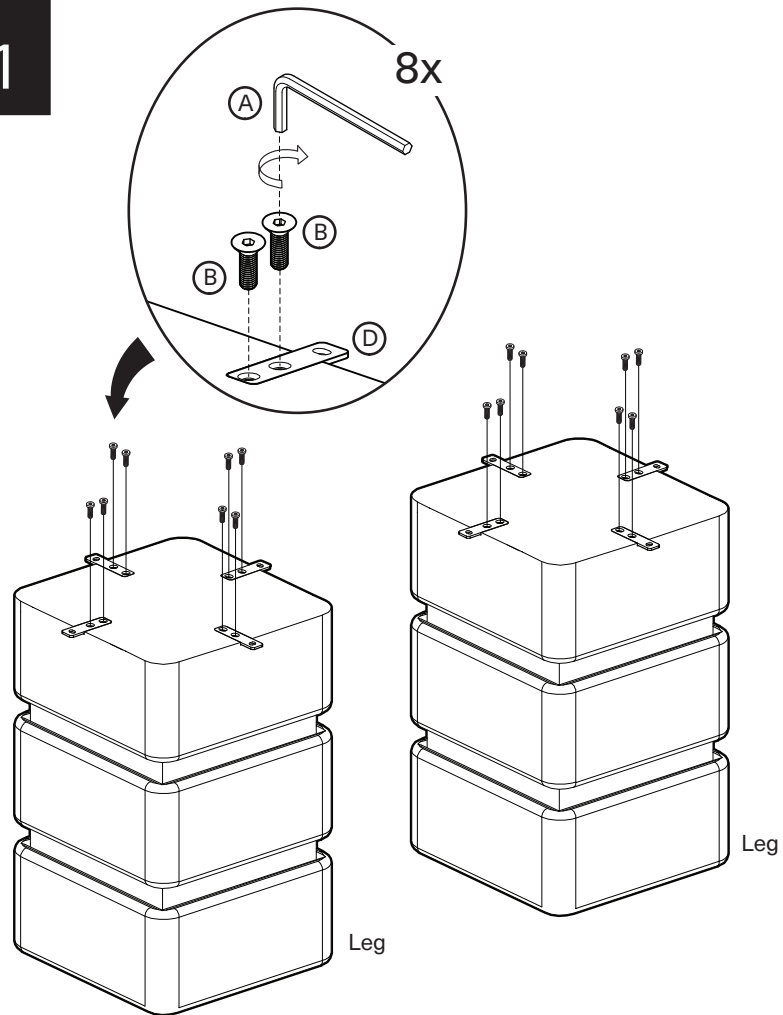
Leg
2 pcs



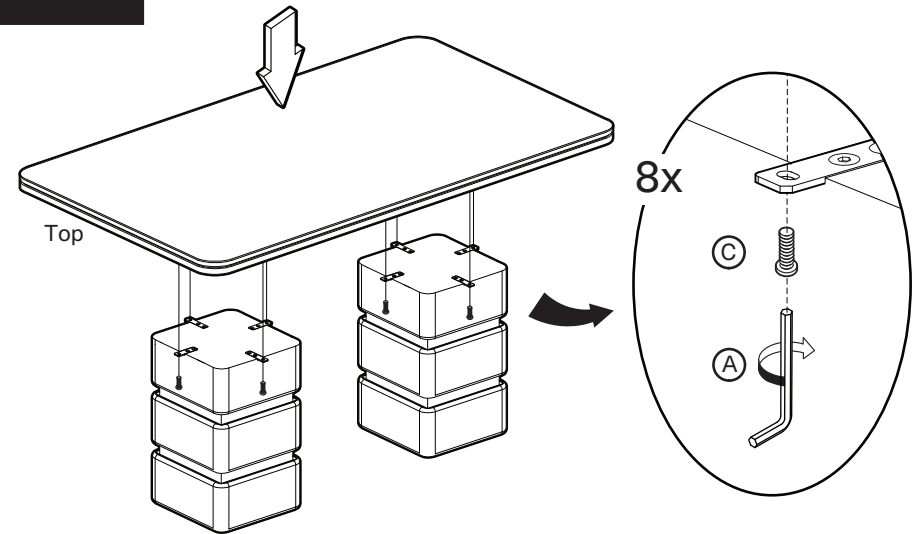
Note

1. Assemble the item on a soft, well-lit surface like cardboard or carpet.
2. For safety and efficiency, it's best to have two or more people assist with assembly to handle heavy parts safely and collaborate effectively.
3. Keep all packaging materials intact until assembly is complete.
4. Before assembling the item, carefully read all provided instructions.
5. Handle tools with care during assembly to prevent injuries.

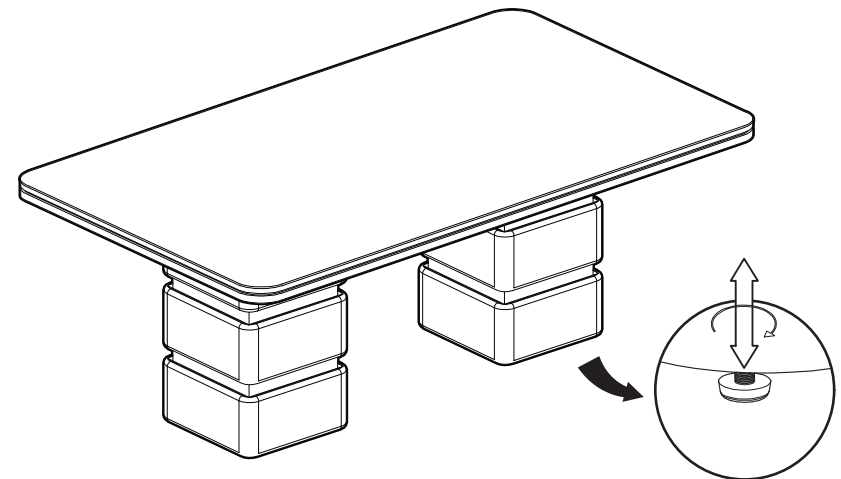
1



2



3



Ensure all adjustable stoppers are firmly on the ground for stability