

KOALA





L I V I N G

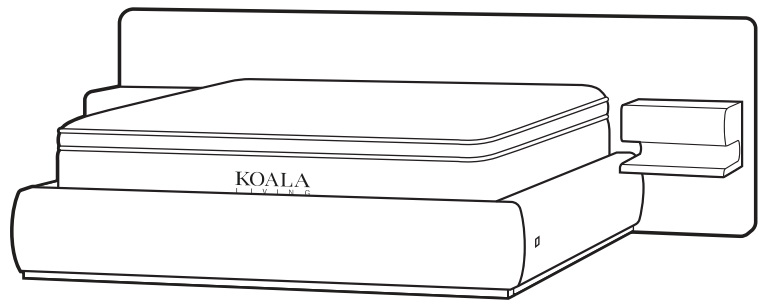
Assembly Instruction

Product Name: Riviera Green Chenille Fabric Queen Bed with Smoky Ash Veneer

Product Id: 831866

Hardware List

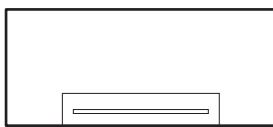
- | | | | |
|---|---|---------------------------|--------|
| A |  | Allen Wrench
5X66X23mm | 1 pc |
| B |  | Allen Bolt
M8X35mm | 32 pcs |
| C |  | Allen Bolt
M8X50mm | 2 pcs |
| D |  | Nut | 2 pcs |



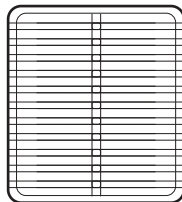
Note

The bolts (B) are pre-installed on the bed head, side rails, footboard and bolts (C) is on the support legs. Please unscrew them to assemble the bed.

Part List



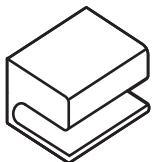
Headboard
1 pc



Bedstead
1 pc



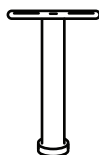
Side Rail
2 pcs



Nightstand
2 pcs



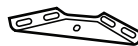
Footboard
1 pc



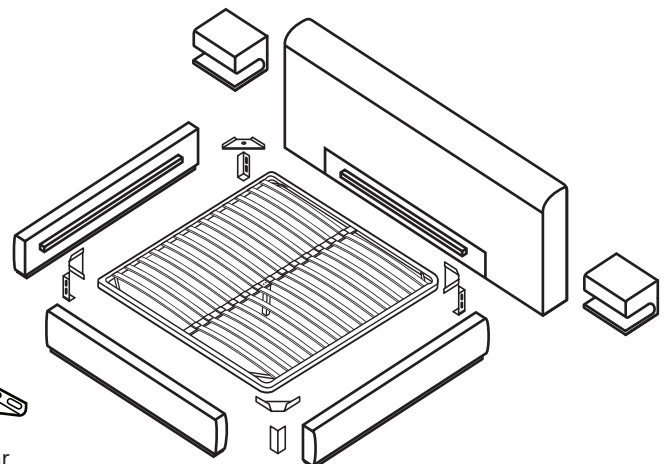
Middle Leg
2 pcs



Bracket
4 pcs



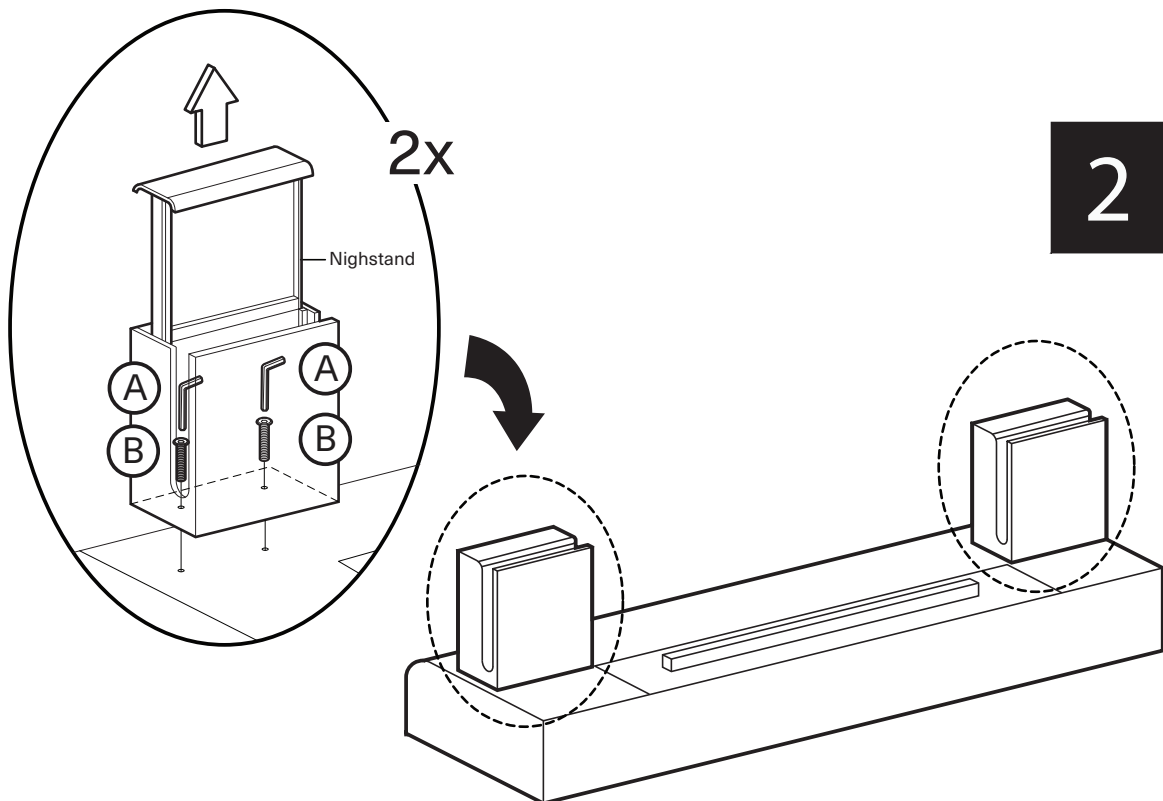
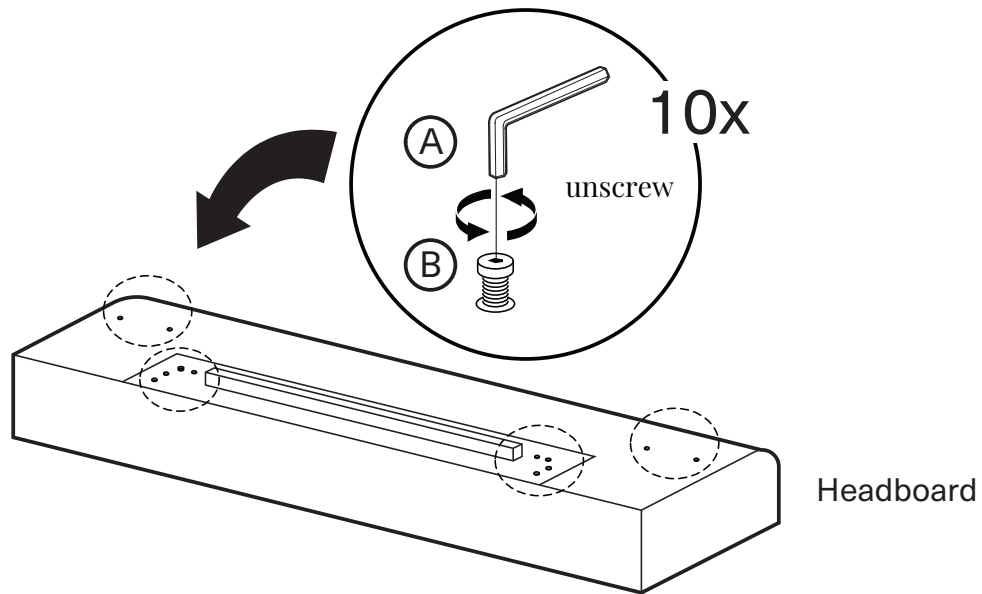
Triangular
Bracket
4 pcs



Note

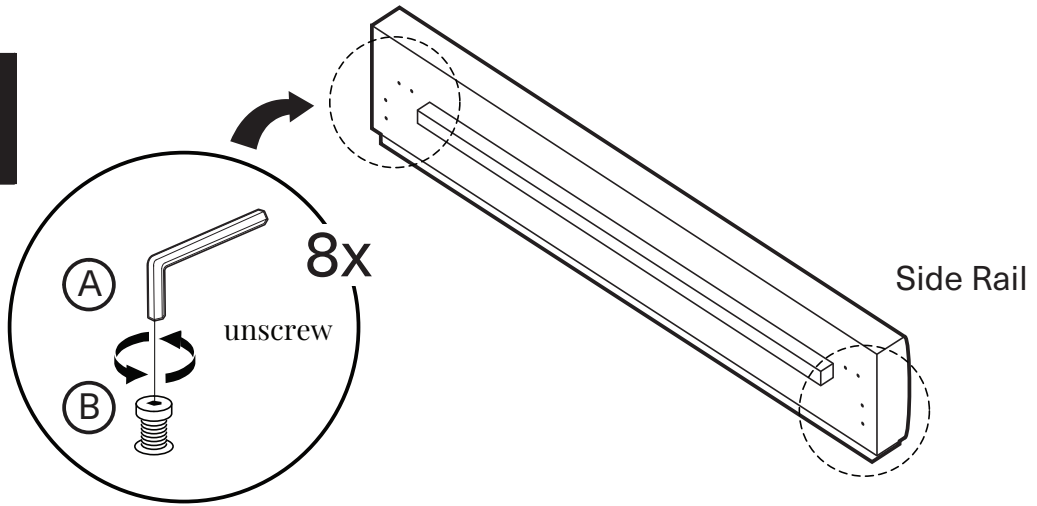
1. Assemble the item on a soft, well-lit surface like cardboard or carpet.
2. For safety and efficiency, it's best to have two or more people assist with assembly to handle heavy parts safely and collaborate effectively.
3. Keep all packaging materials intact until assembly is complete.
4. Before assembling the item, carefully read all provided instructions.
5. Handle tools with care during assembly to prevent injuries.

1

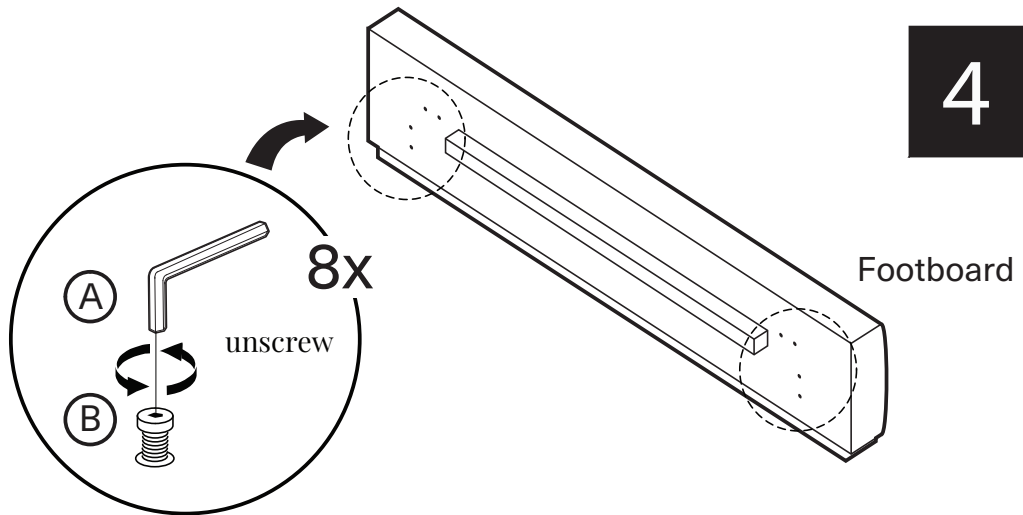


2

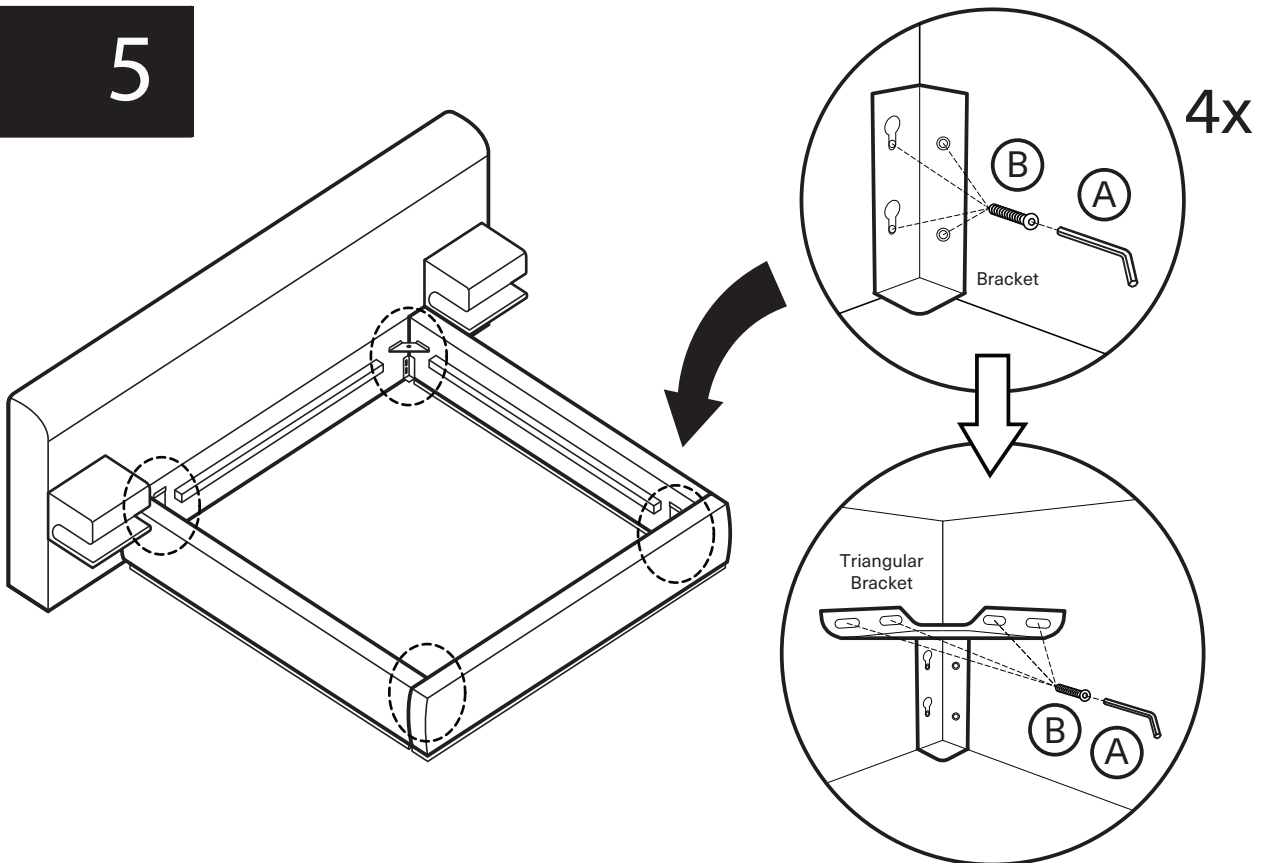
3



4

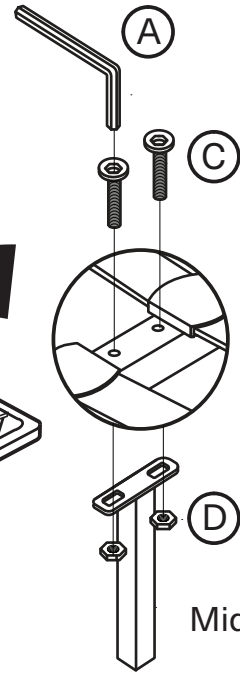
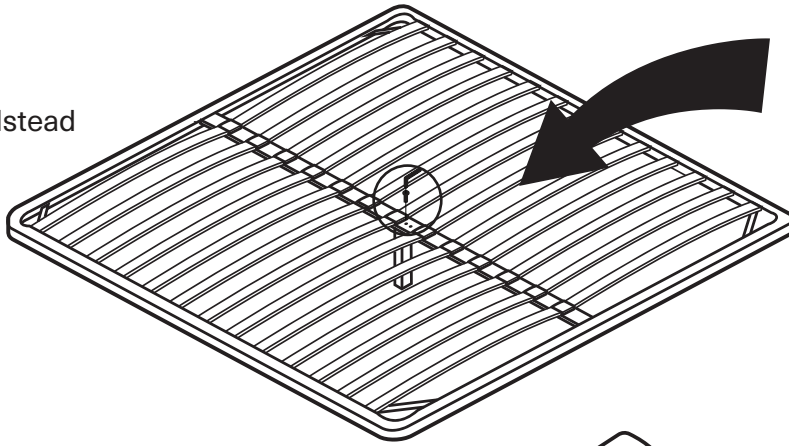


5



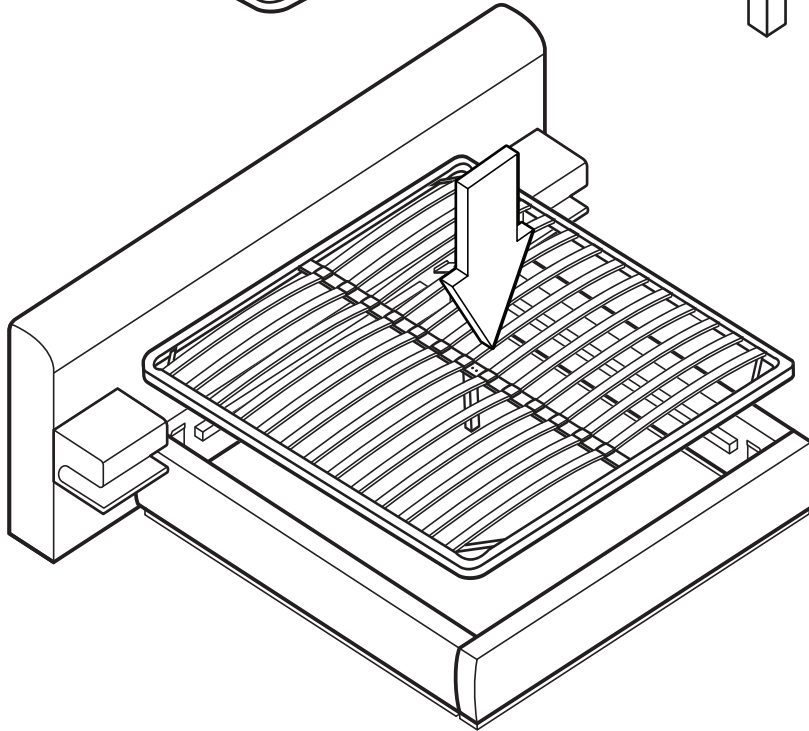
6

Bedstead



Middle Leg

7



8

