

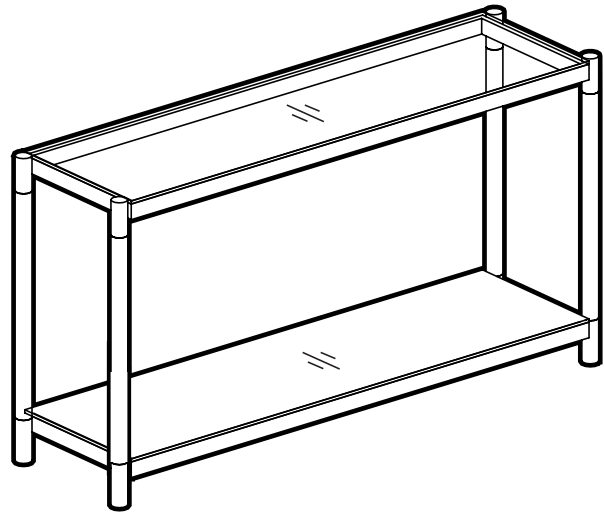
KOALA

L I V I N G

Assembly Instruction

Product Name: Auryn Stainless Steel Console Table

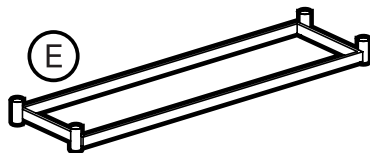
Hardware List



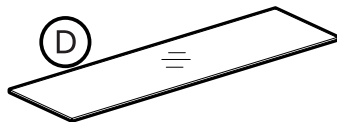
Parts List



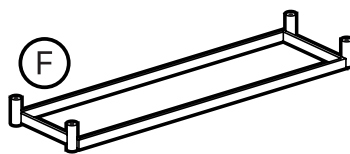
Clear Glass
1 pc



Top Frame
1 pc



Mirror
1 pc

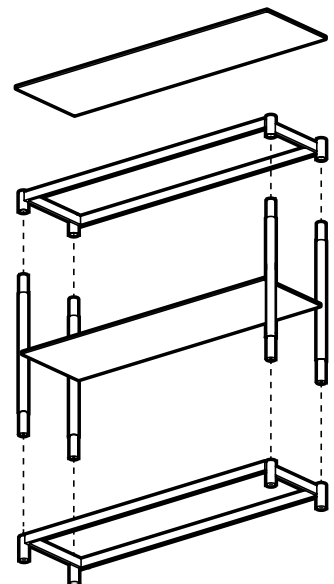


Bottom Frame
1 pc

G



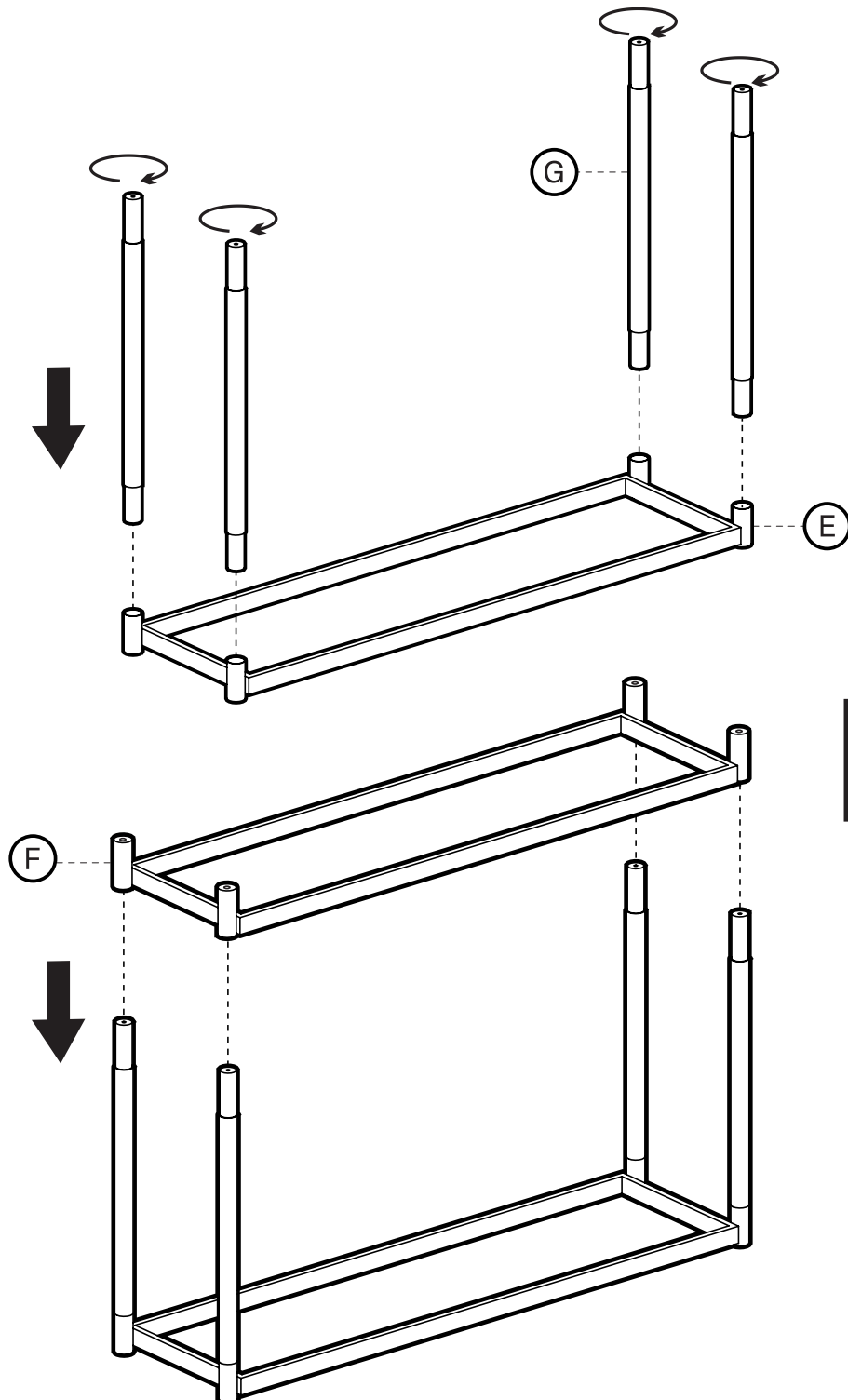
Leg
4 pcs



Note

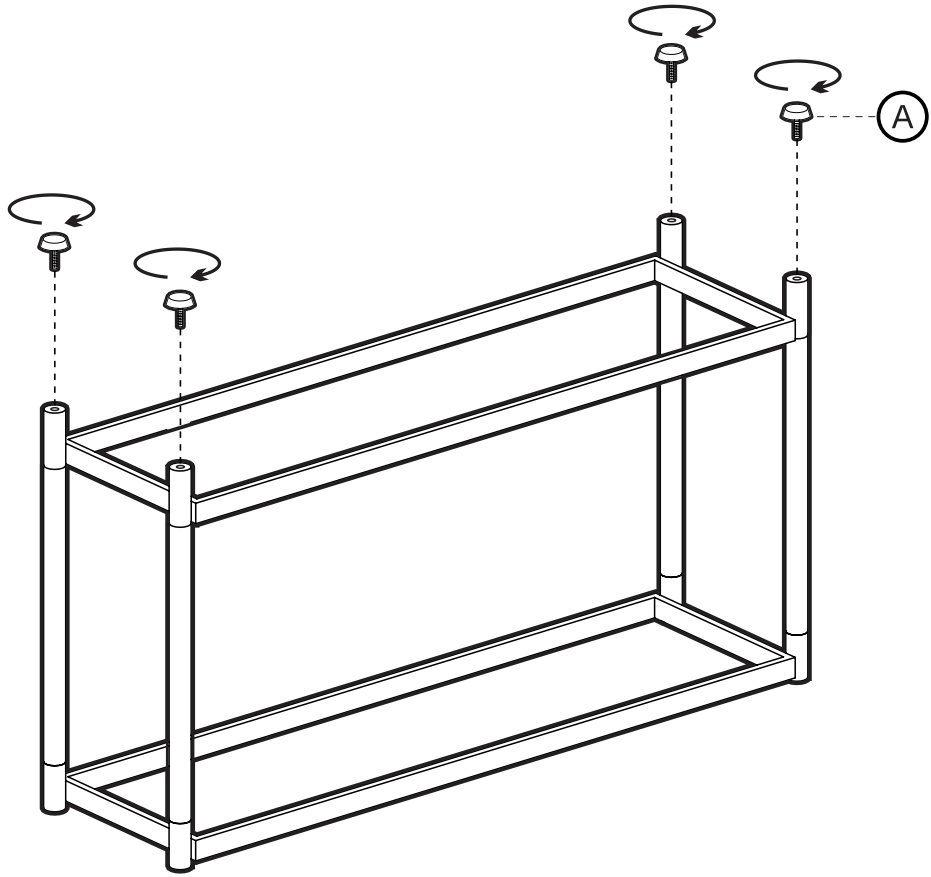
1. Please check that all required hardware for assembly, as listed in the instructions, is available before beginning assembly.
2. For safety and efficiency, it's best to have two or more people assist with assembly to handle heavy parts safely and collaborate effectively.
3. Do not discard any packaging materials until assembly is complete.
4. Before assembling the item, carefully read all provided instructions.
5. Handle tools with care during assembly to prevent injuries.

1

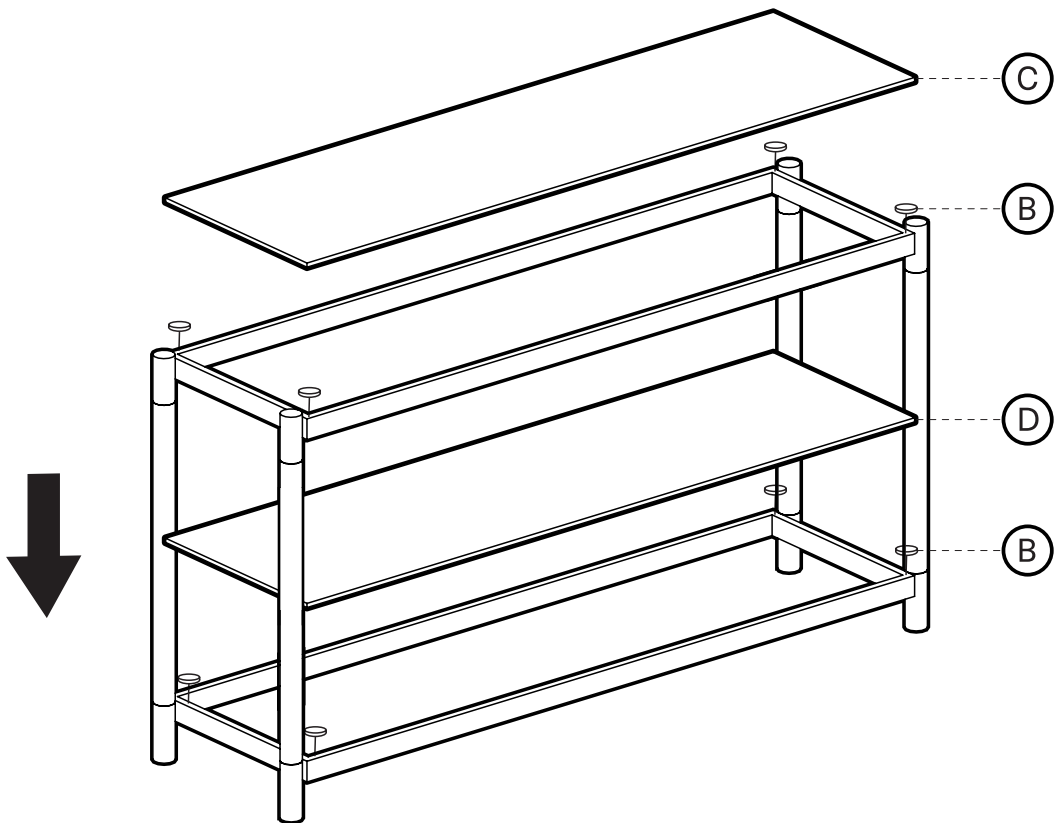


2

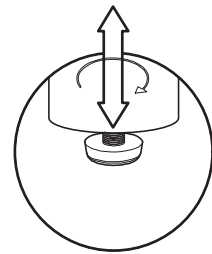
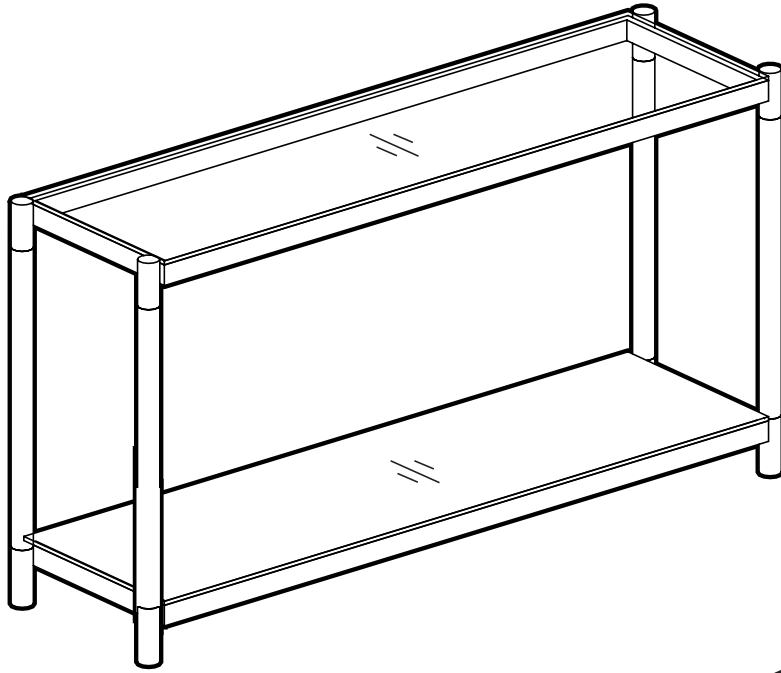
3



4



5



Ensure all adjustable stoppers are firmly on the ground for stability

⚠ Warning

- ALWAYS secure this furniture with an anchor device
- NEVER allow children to stand, climb or hang on drawers, doors, or shelves

