

# KOALA


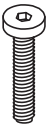
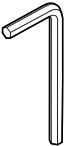
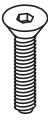
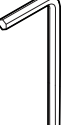
## L I V I N G

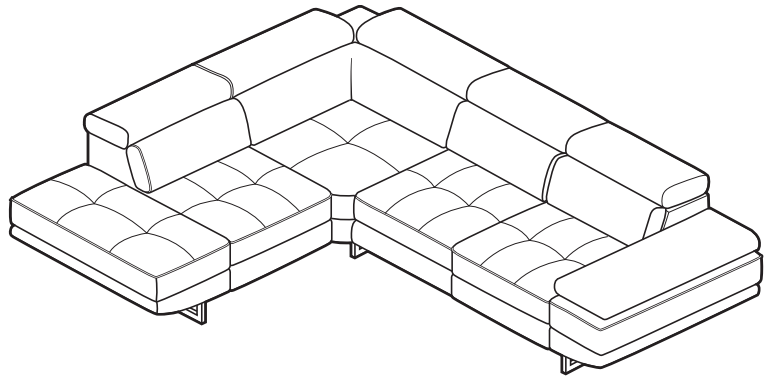
### Assembly Instruction

Product Name: Alessia Milk Coffee Leather Dual Electric Recliner Lounge - Left

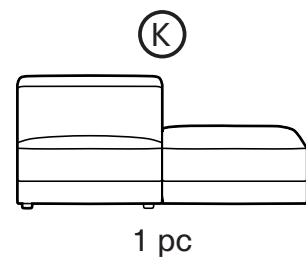
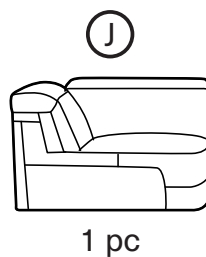
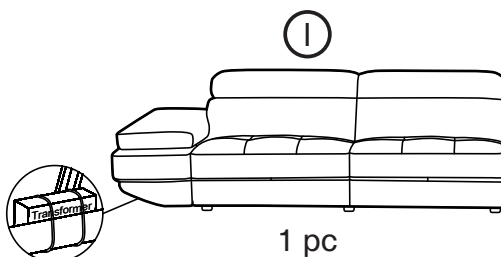
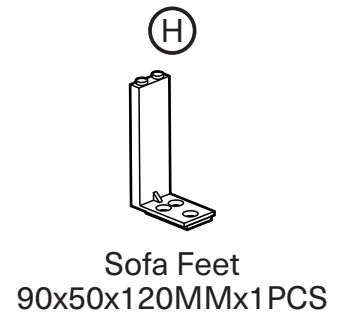
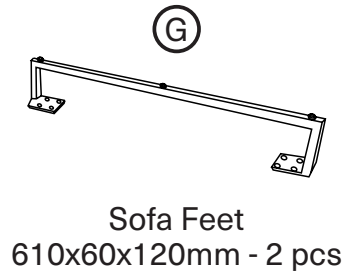
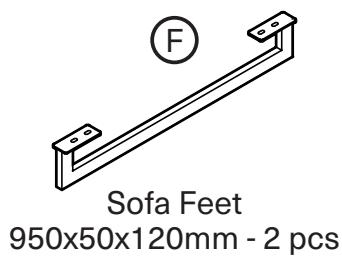
Product Id: 130829

#### Hardware List

- A  Gasket  
Ø8\*Ø17mm 24 pcs
- B  Allen Bolt  
M8\*35mm 24 pcs
- C  Wrench  
6mm 1 pc
- D  Allen Bolt  
M8\*35mm 3 pcs
- E  Wrench  
5mm 1 pc



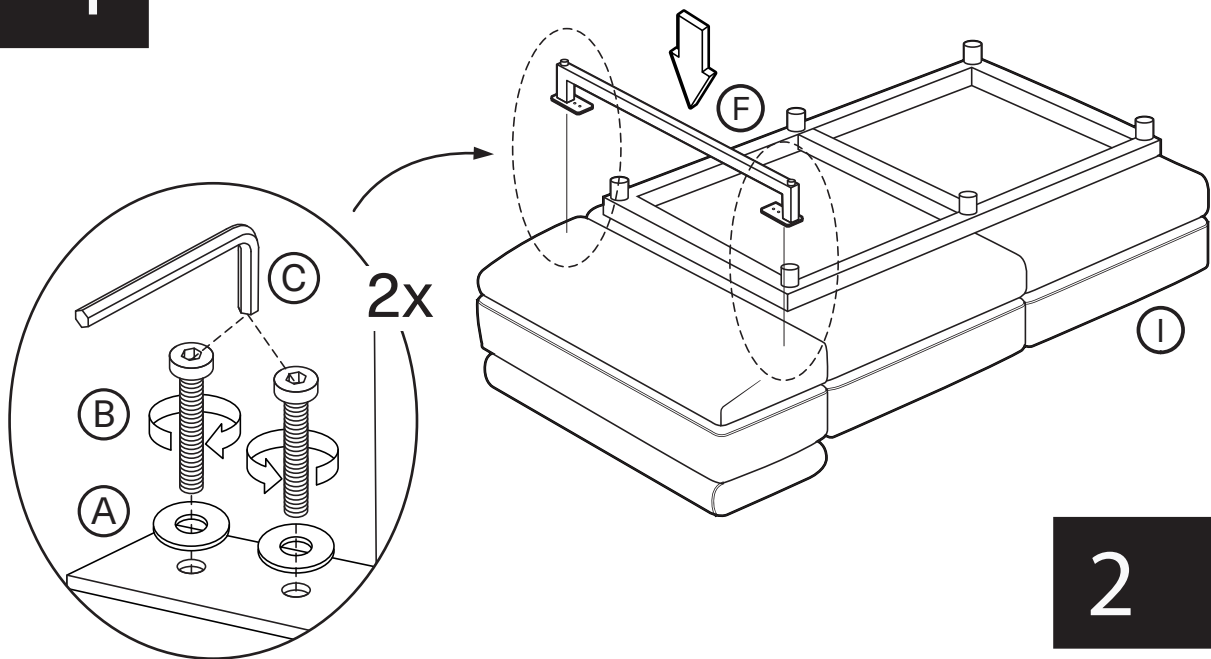
#### Part List



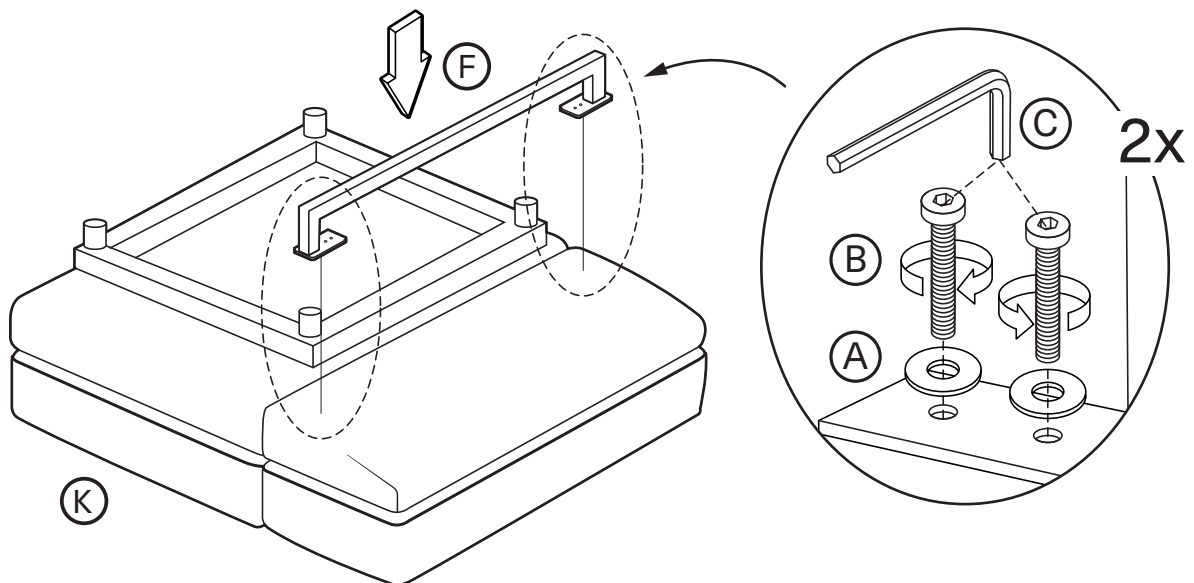
## Note

1. Assemble the item on a soft, well-lit surface like cardboard or carpet.
2. For safety and efficiency, it's best to have two or more people assist with assembly to handle heavy parts safely and collaborate effectively.
3. Do not discard any packaging materials until assembly is complete.
4. Before assembling the item, carefully read all provided instructions.
5. Handle tools with care during assembly to prevent injuries.

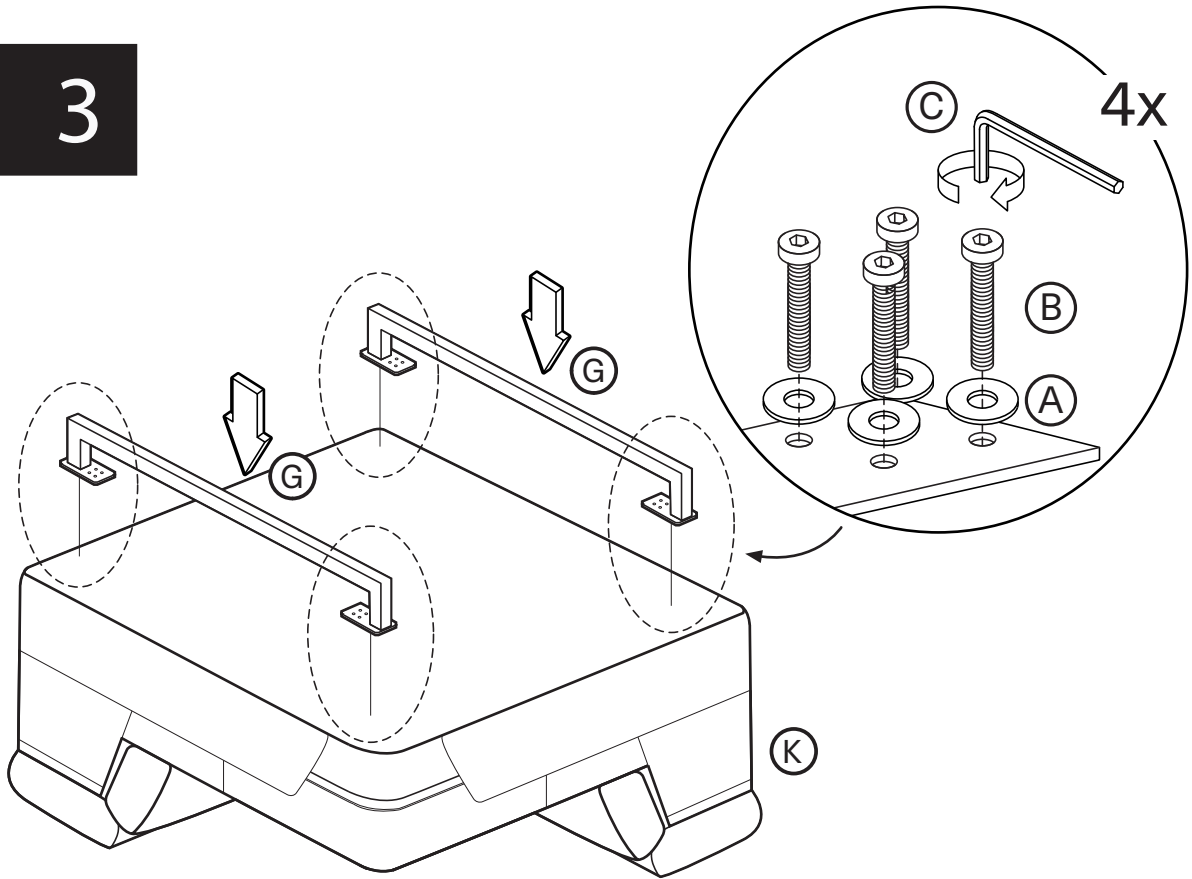
1



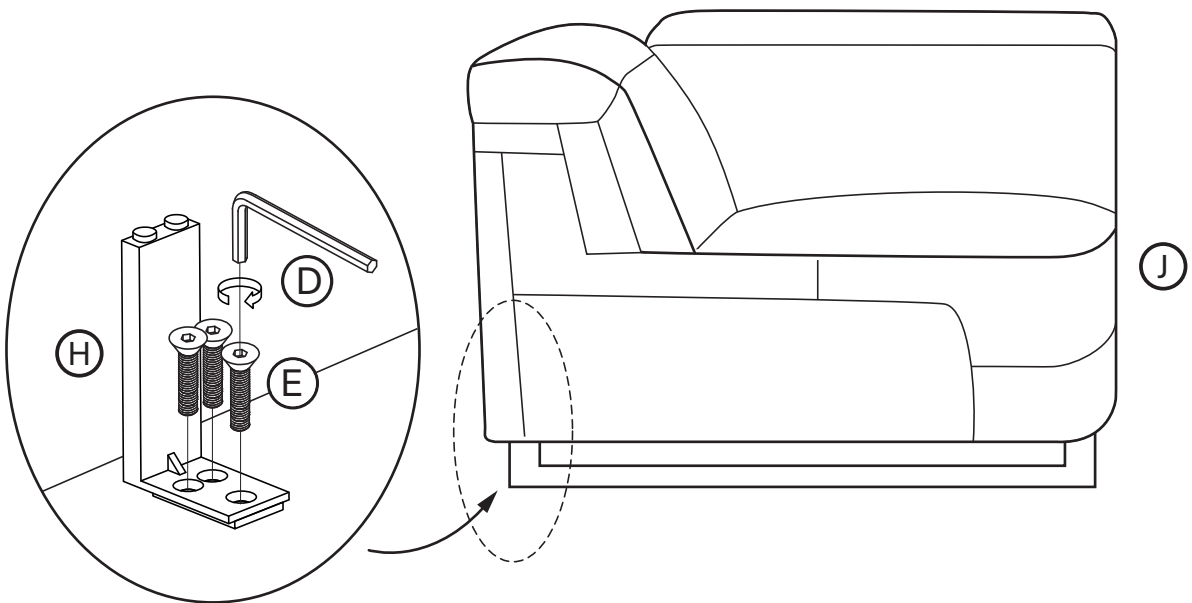
2



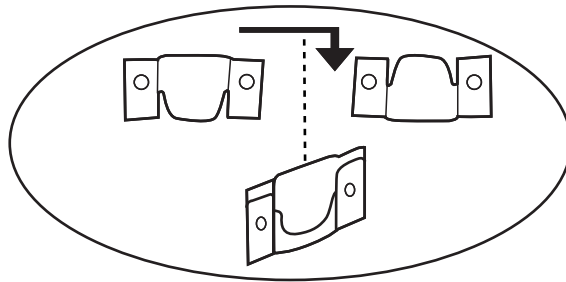
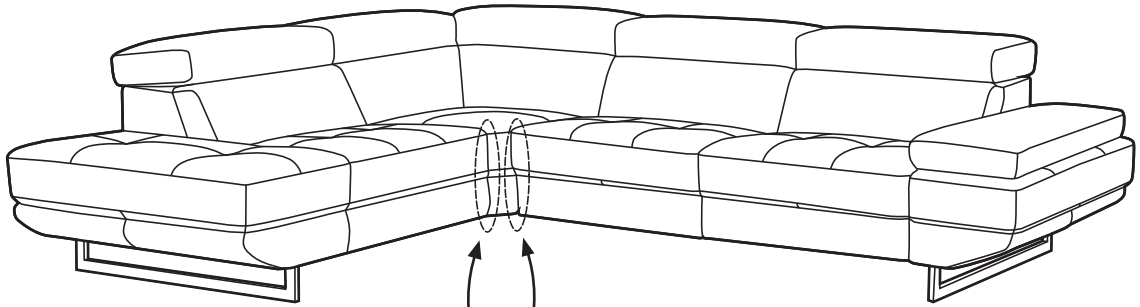
3



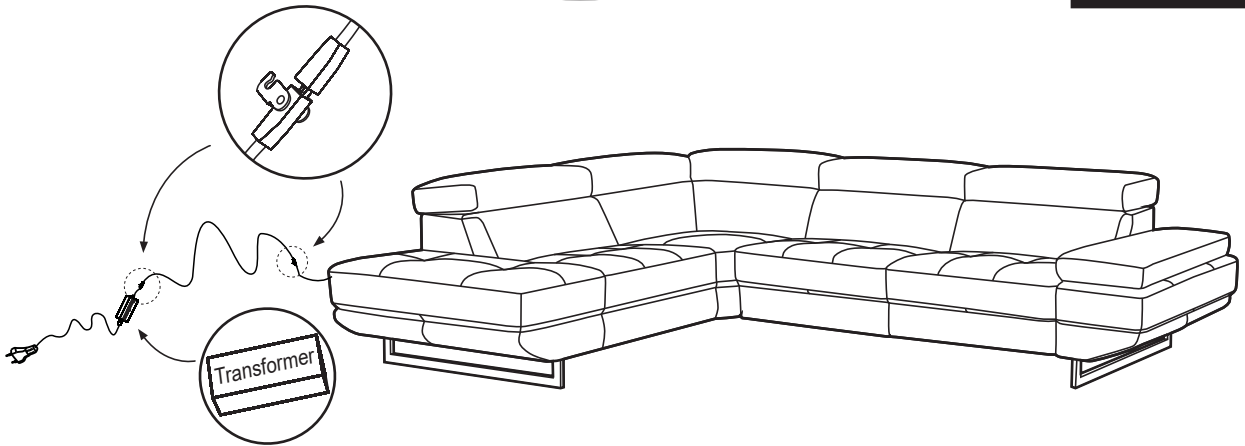
4



5



6



7

