





KOALA

L I V I N G

Assembly Instruction

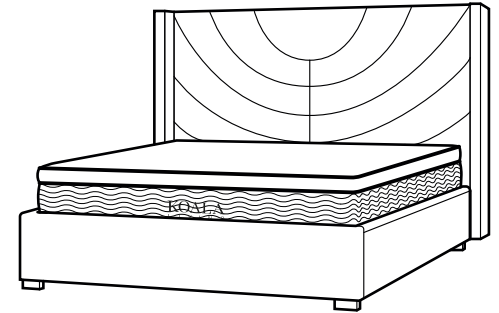
Product Name: Gertrude Olive Green Velvet King Bed
 Brushed Champagne Gold Stainless Steel Frame
 Product Id: 127868

Hardware List

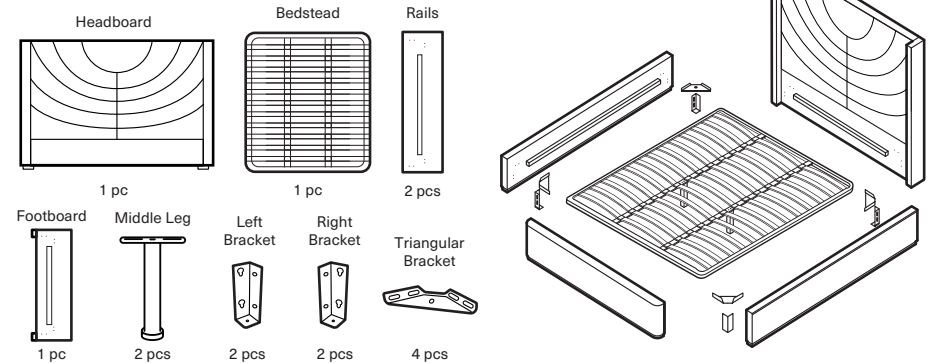
- | | | | |
|---|---|---------------------------|--------|
| A |  | Allen Wrench
5X66X23mm | 1 pc |
| B |  | Allen Bolt
M8X35mm | 32 pcs |
| C |  | Allen Bolt
M8X50mm | 4 pcs |
| D |  | Nut | 4 pcs |

Note

The bolts (B) are pre-installed on the bed head, side rails, footboard and bolts (C) is on the support legs. Please unscrew them to assemble the bed.



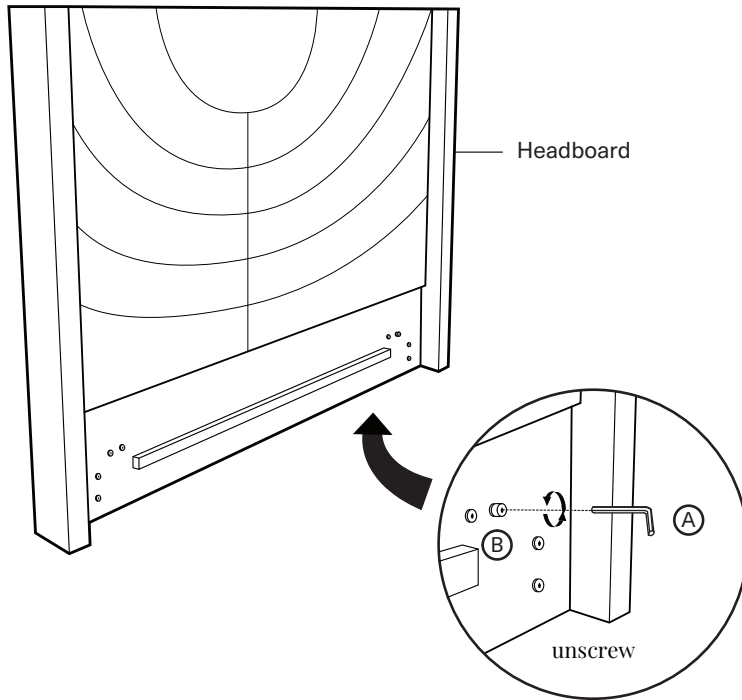
Part List



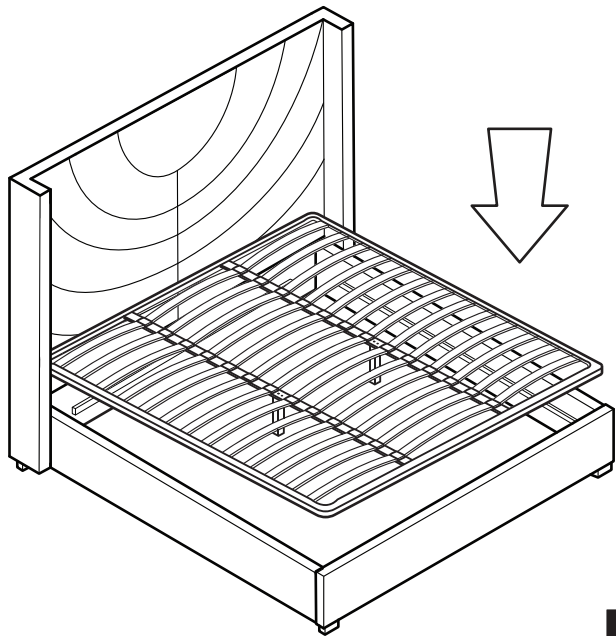
Note

1. Assemble the item on a soft, well-lit surface like cardboard or carpet.
2. For safety and efficiency, it's best to have two or more people assist with assembly to handle heavy parts safely and collaborate effectively.
3. Keep all packaging materials intact until assembly is complete.
4. Before assembling the item, carefully read all provided instructions.
5. Handle tools with care during assembly to prevent injuries.

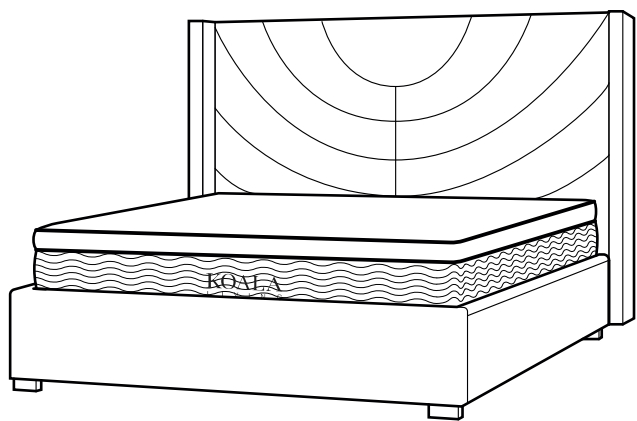
1



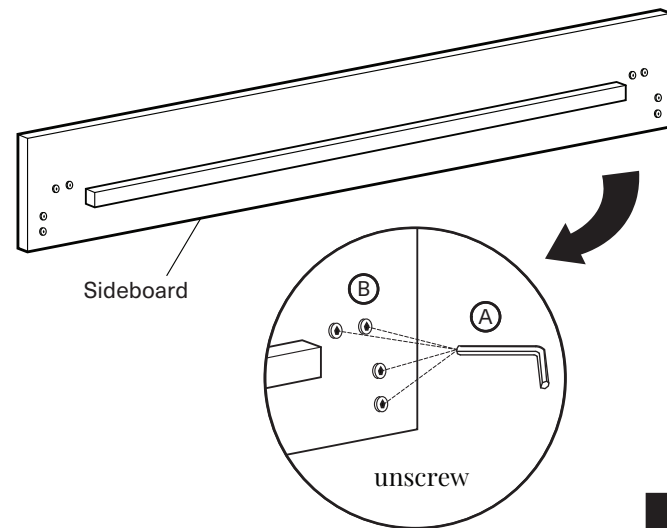
8



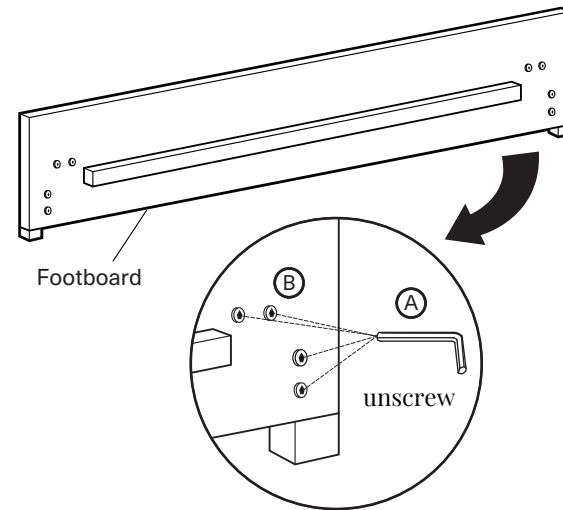
9



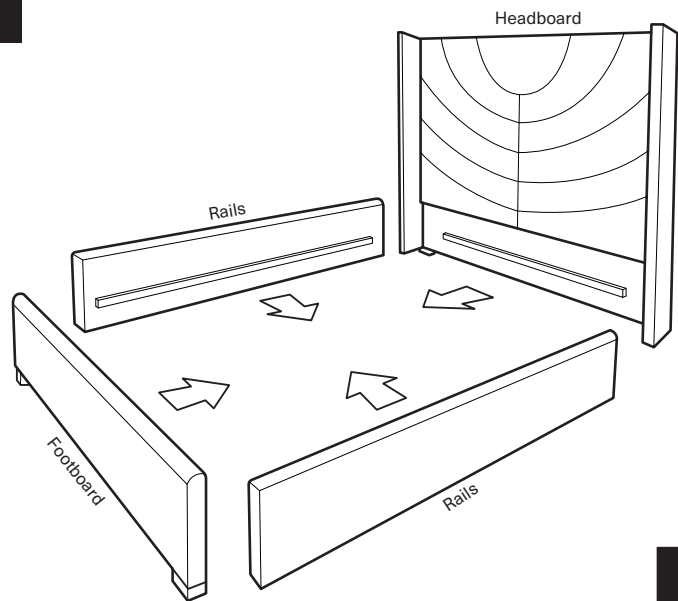
2



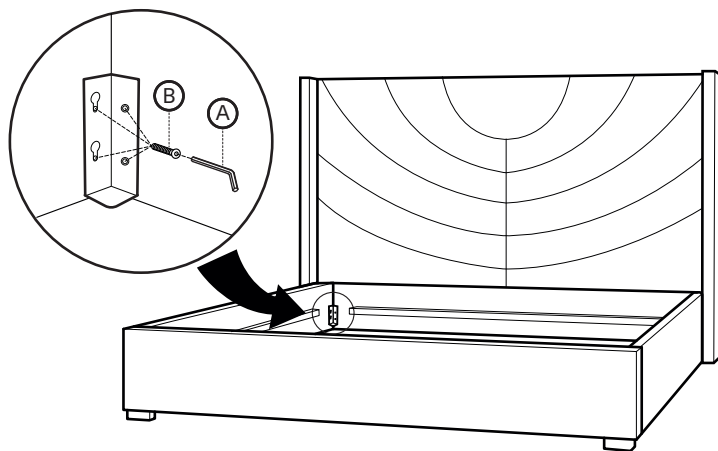
3



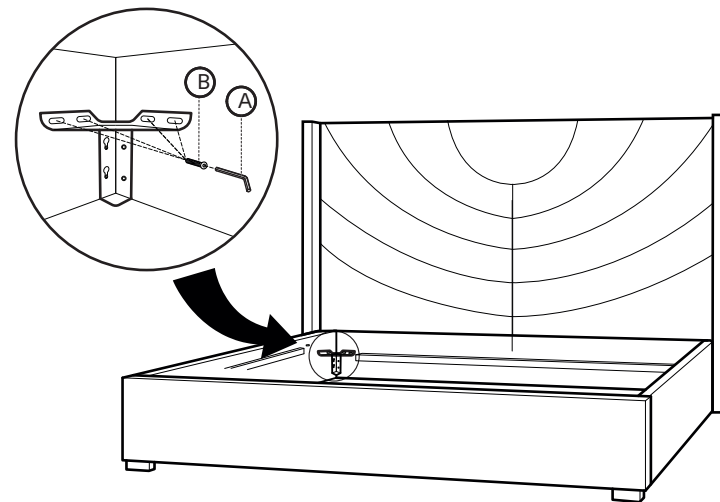
4



5



6



7

