




KOALA

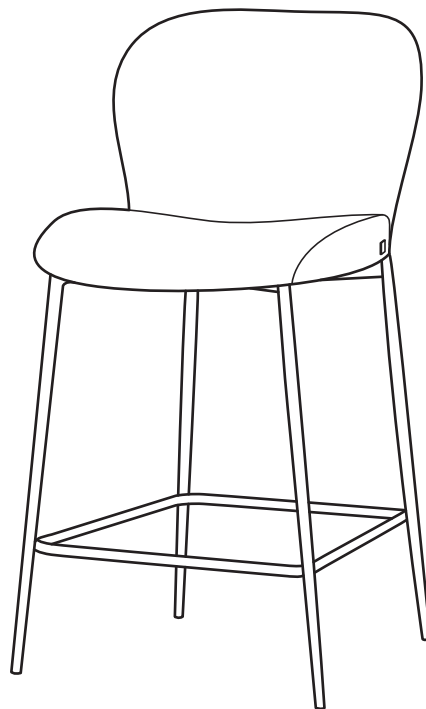
L I V I N G

Assembly Instruction

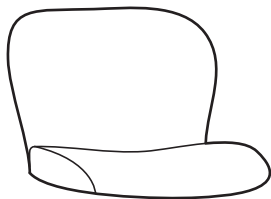
Product Name: Hailey Vintage Grey Chenille Fabric 67cm Counter Stool - Black Metal Legs
Product Id: 128658

Hardware List

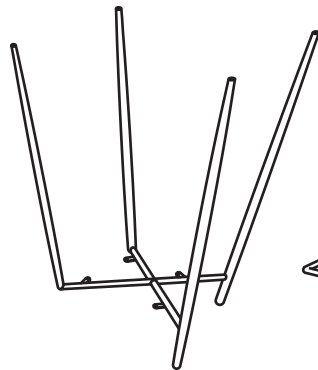
- A  Allen Key 4mm 1 pc
- B  Allen Bolt M6*L20 8 pcs
- C  Washer Ø16*Ø6 4 pcs



Part List



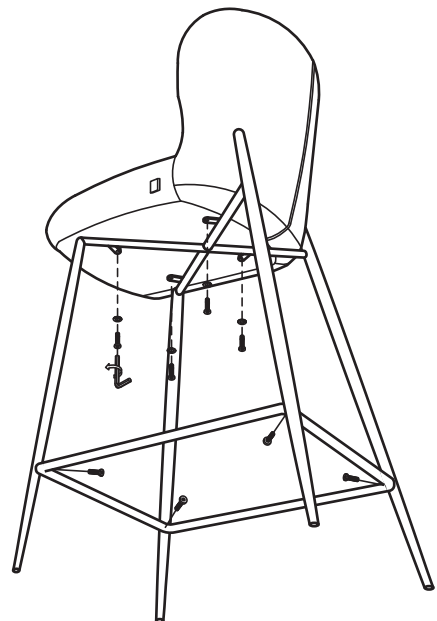
Seat
1 pc



Legs
4 pcs



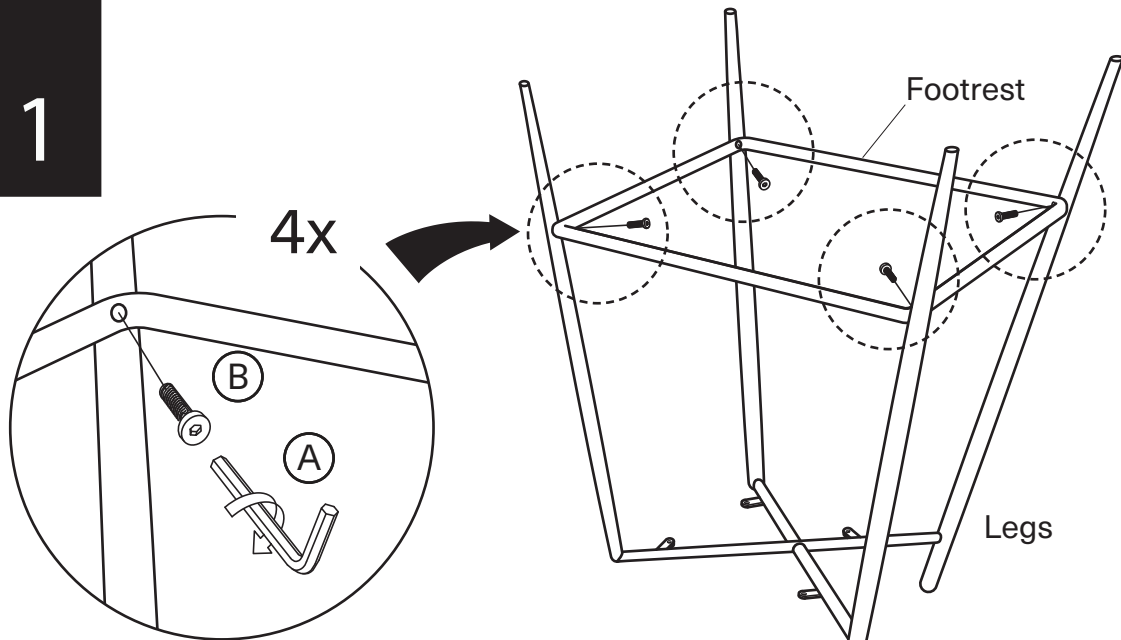
Footrest
1 pc



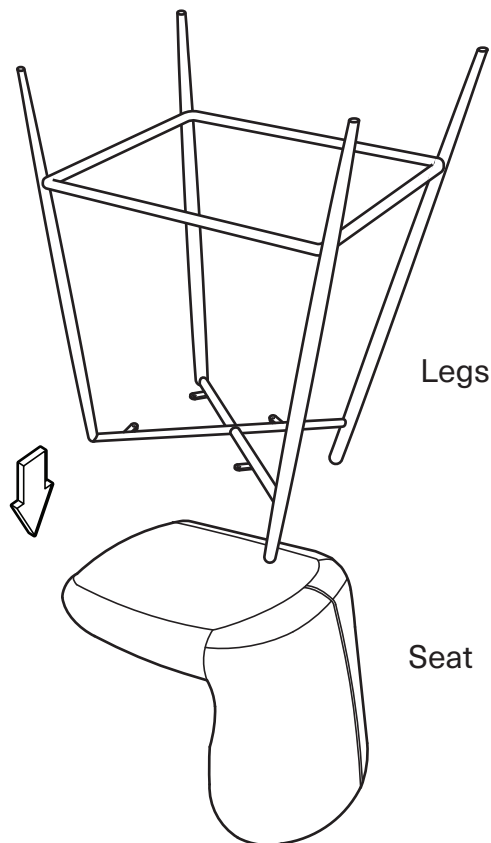
Note

1. Assemble the item on a soft, well-lit surface like cardboard or carpet.
2. For safety and efficiency, it's best to have two or more people assist with assembly to handle heavy parts safely and collaborate effectively.
3. Keep all packaging materials intact until assembly is complete.
4. Before assembling the item, carefully read all provided instructions.
5. Handle tools with care during assembly to prevent injuries.

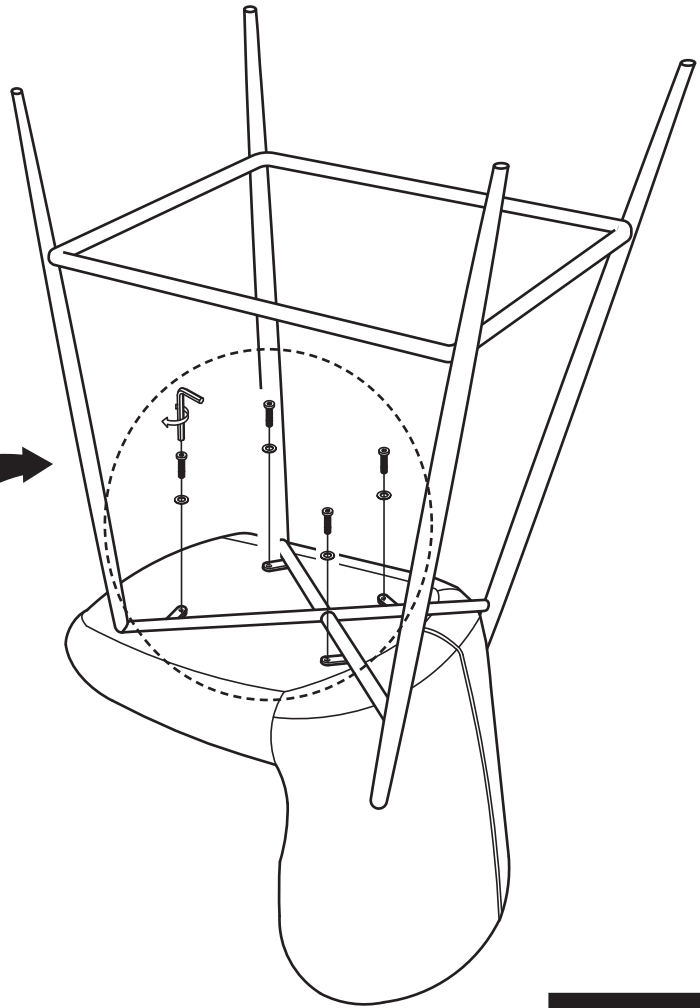
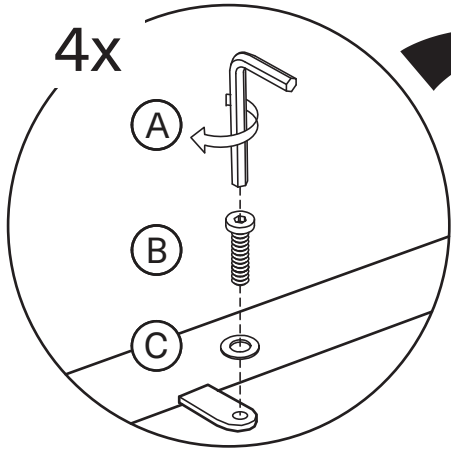
1



2



3



4

