


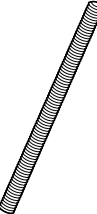


KOALA

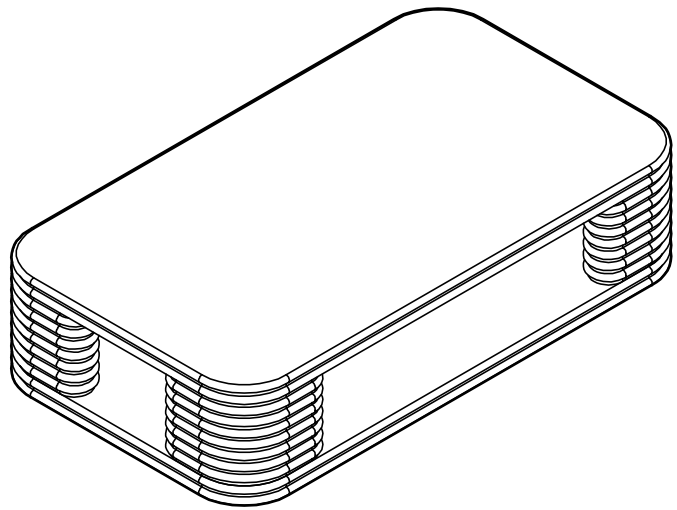
L I V I N G

Assembly Instruction

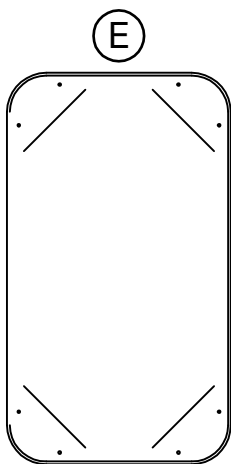
Product Name: Ophelia Curved Coffee Table

Hardware List

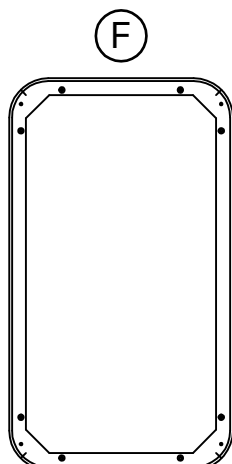
- | | | | |
|---|---|------------------------|-------|
| A |  | L Wrench
13mm | 1 pc |
| B |  | Allen Bolt
M8x295mm | 8 pcs |
| C |  | Nut
M8 | 8 pcs |
| D |  | Washer
8*19mm | 8 pcs |



Parts List



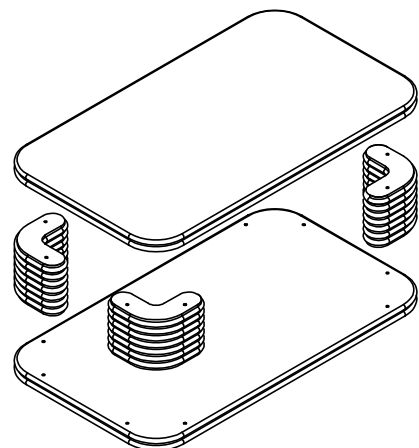
Bottom
1 pc



Top
1 pc



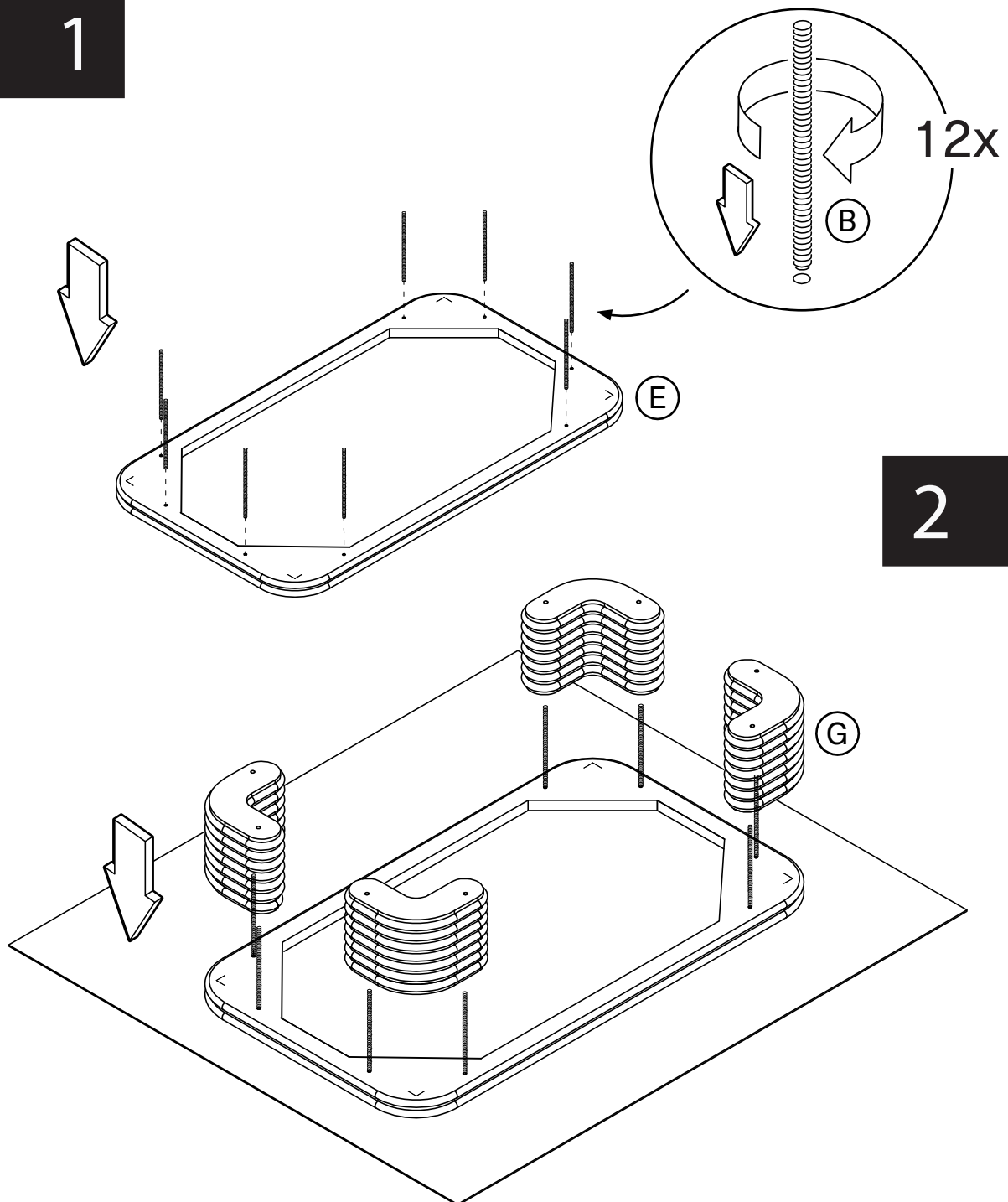
Leg
4 pcs



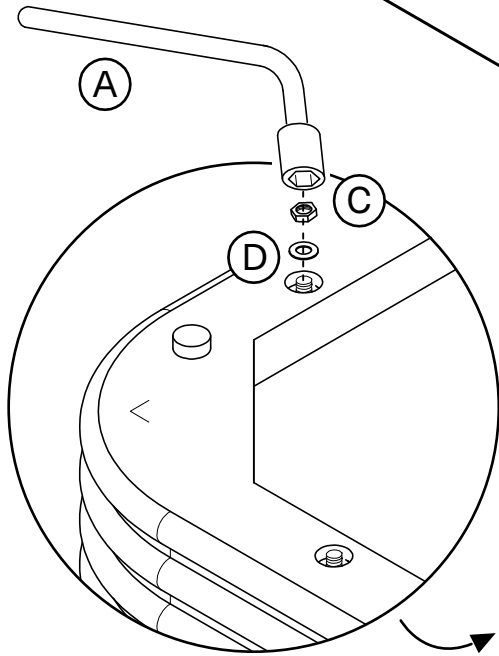
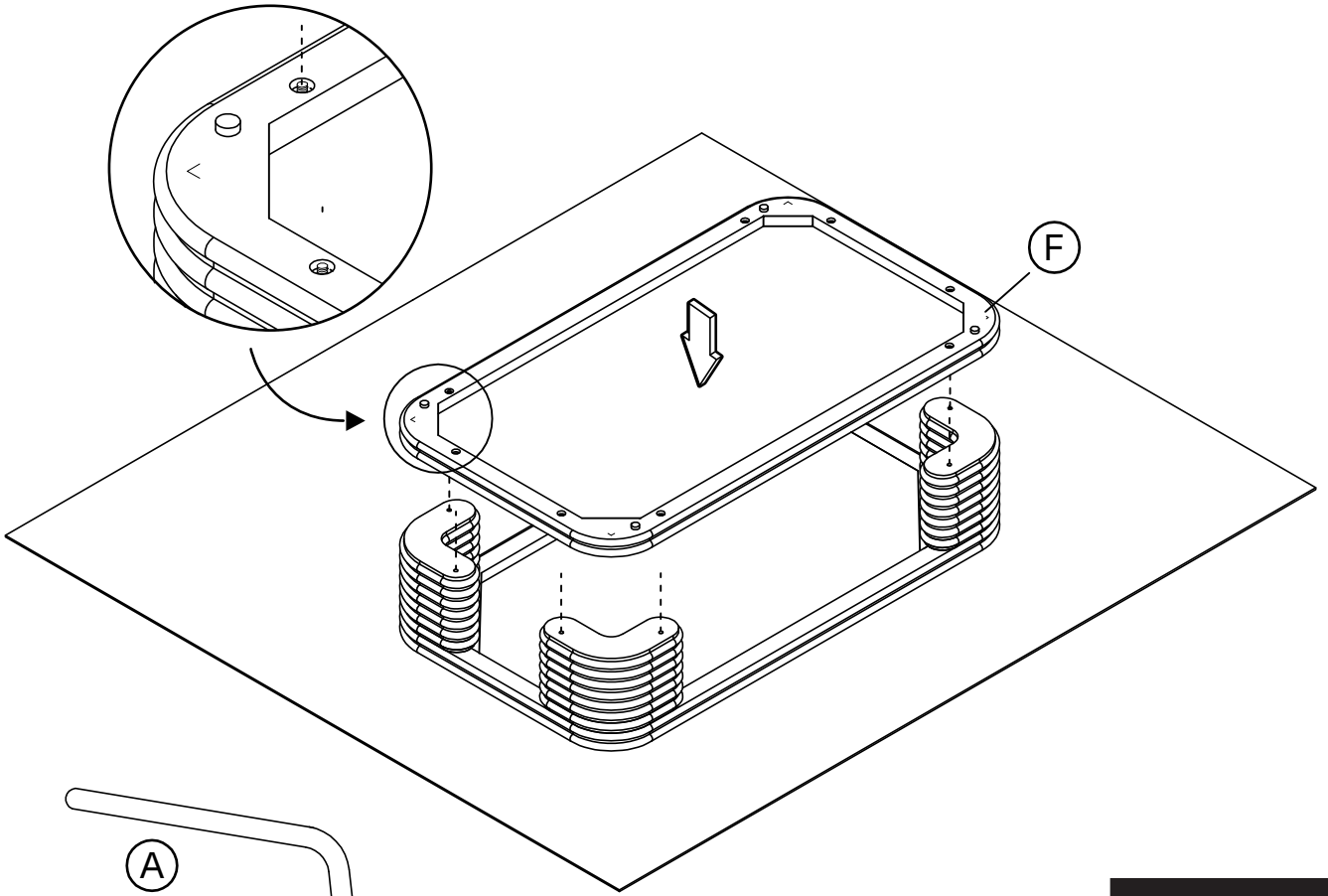
Note

1. Please check that all required hardware for assembly, as listed in the instructions, is available before beginning assembly.
2. For safety and efficiency, it's best to have two or more people with assembly to handle heavy parts safely and collaborate
3. Do not discard any packaging materials until assembly is complete.
4. Before assembling the item, carefully read all provided instructions.
5. Handle tools with care during assembly to prevent injuries.
6. A drill may be used, but only on a LOW setting to avoid damage.

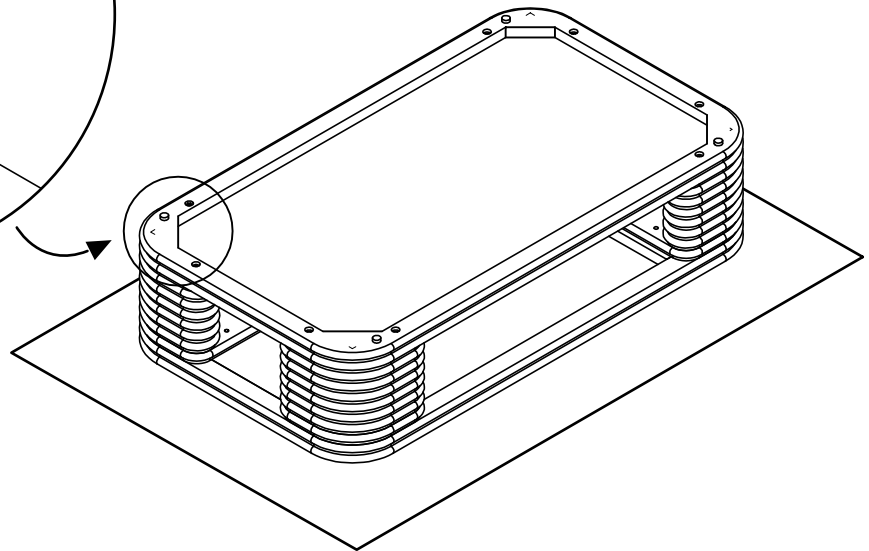
1



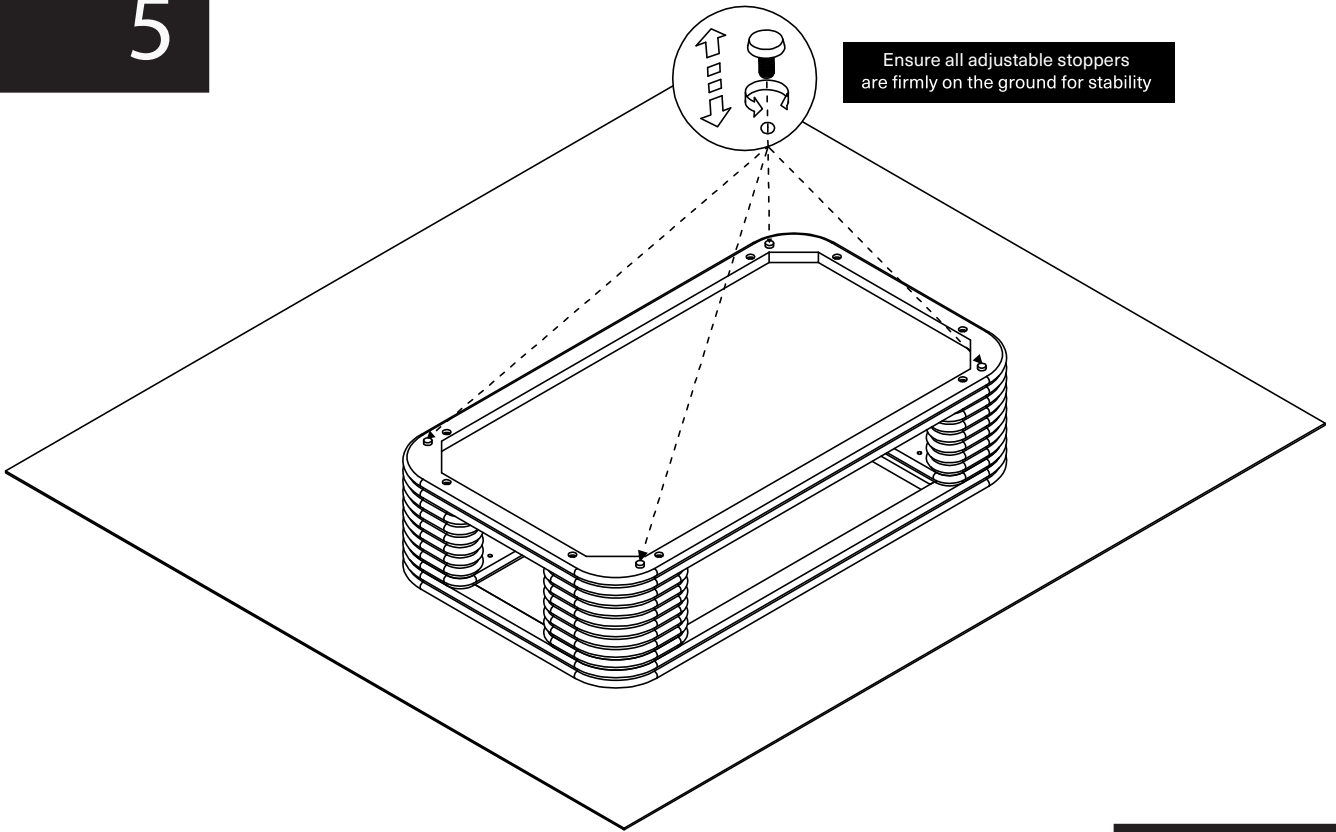
3



4



5



6

