

# KOALA





L I V I N G

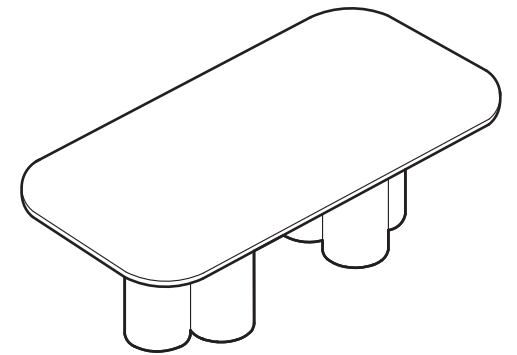
## Assembly Instruction

Product Name: Terzetto Pandora Brown Sintered Stone Rectangular Dining Table  
Medium Brown Wooden Legs 240x120cm

Product Id: 129135

### Hardware List

- |   |   |                         |        |
|---|---|-------------------------|--------|
| A |  | Allen Key<br>5mm        | 1 pc   |
| B |  | Allen Bolt<br>5/16*35mm | 12 pcs |
| C |  | Spring Washer<br>Ø13mm  | 12 pcs |
| D |  | Washer<br>Ø19mm         | 12 pcs |



### Part List

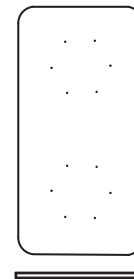
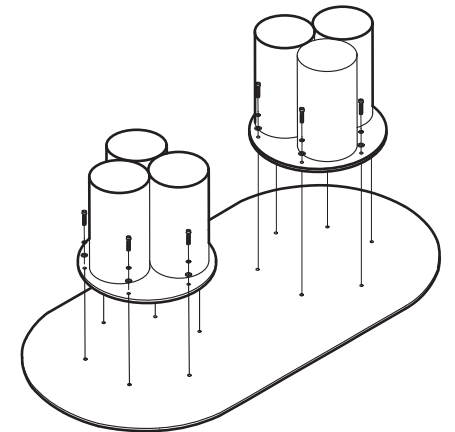


Table Top  
1 pc



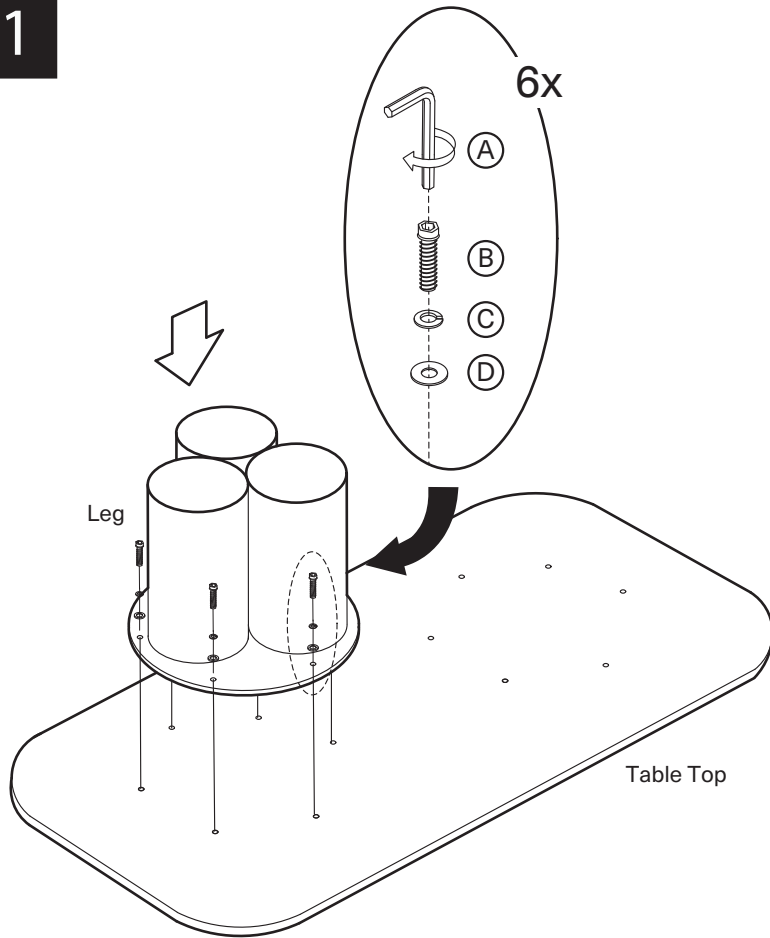
Leg  
2 pcs



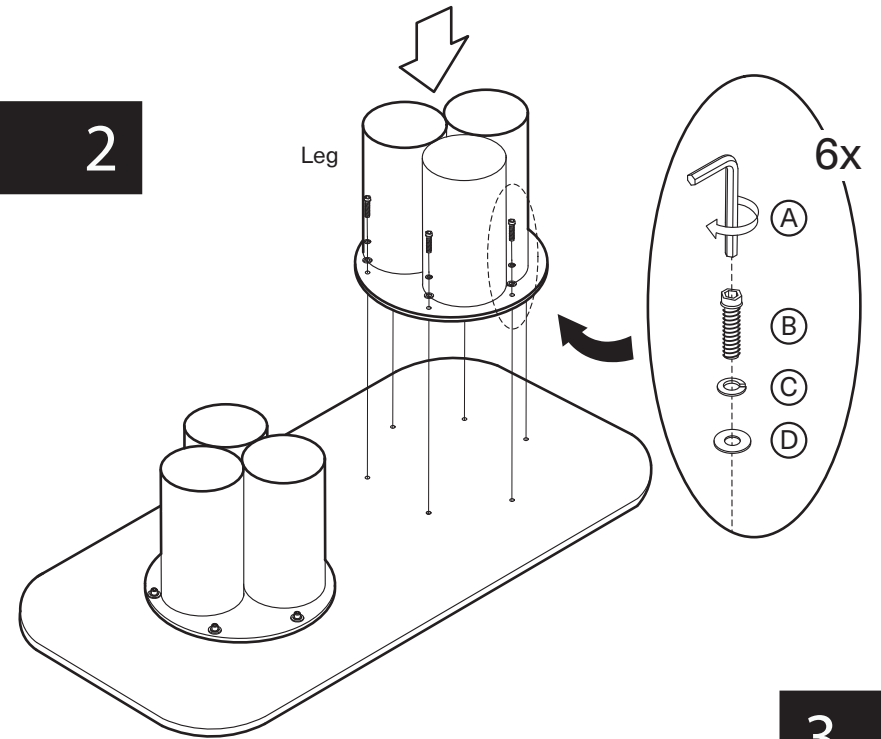
## Note

1. Assemble the item on a soft, well-lit surface like cardboard or carpet.
2. For safety and efficiency, it's best to have two or more people assist with assembly to handle heavy parts safely and collaborate effectively.
3. Keep all packaging materials intact until assembly is complete.
4. Before assembling the item, carefully read all provided instructions.
5. Handle tools with care during assembly to prevent injuries.

1



2



3

