

KOALA





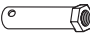

L I V I N G

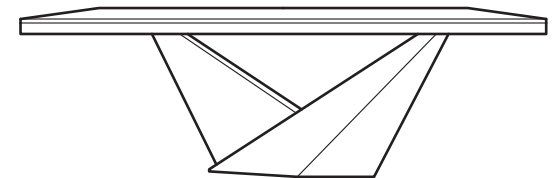
Assembly Instruction

Product Name: Vania White Sintered Stone Dining Table
Brushed Bronze Legs

Product Id: 128761

Hardware List

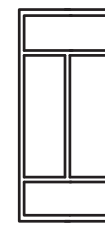
- | | | | |
|---|---|---------------------|--------|
| A |  | Allen Key
5mm | 1 pc |
| B |  | Allen Bolt
M8*60 | 4 pcs |
| C |  | Washer
Ø20*8 | 4 pcs |
| D |  | Nut
M8 | 4 pcs |
| E |  | Bolt
M8 | 1 pc |
| F |  | Silicone Cap | 10 pcs |



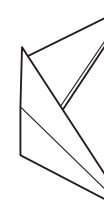
Part List



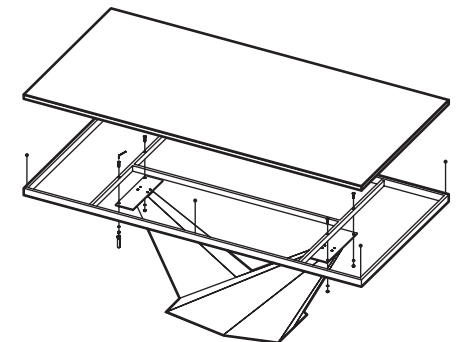
1 pc



1 pc



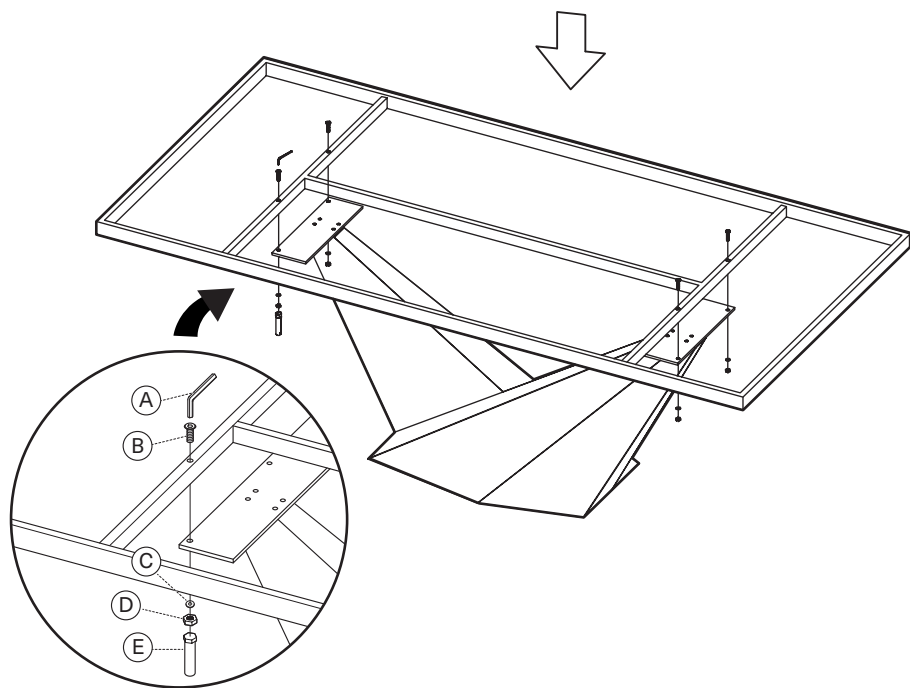
1 pc



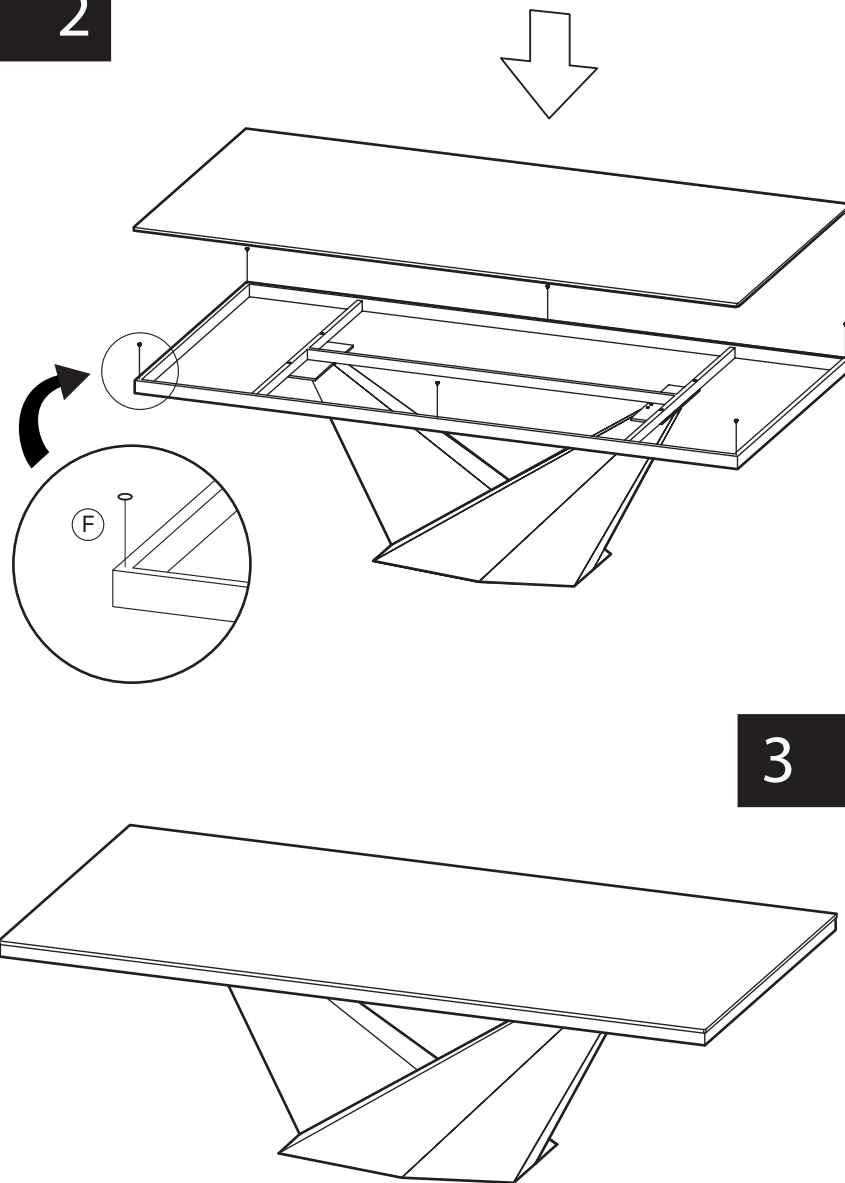
Note

1. Assemble the item on a soft, well-lit surface like cardboard or carpet.
2. For safety and efficiency, it's best to have two or more people assist with assembly to handle heavy parts safely and collaborate effectively.
3. Keep all packaging materials intact until assembly is complete.
4. Before assembling the item, carefully read all provided instructions.
5. Handle tools with care during assembly to prevent injuries.

1



2



3