

# KOALA

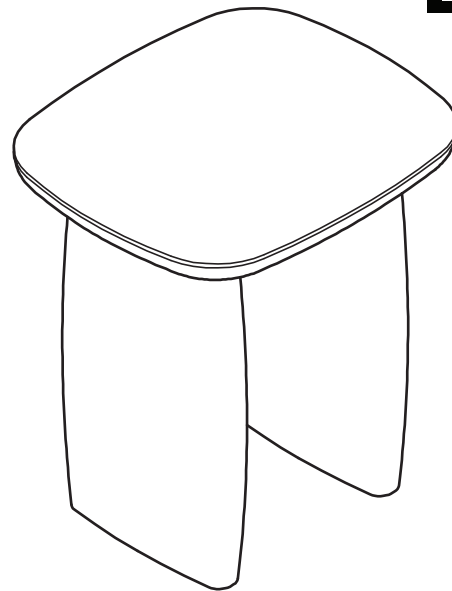
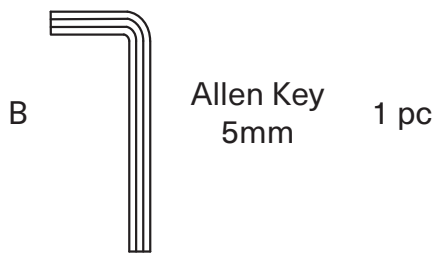
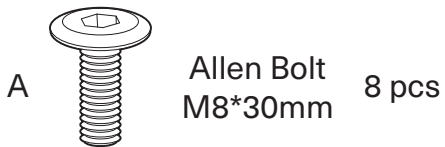
L I V I N G

## Assembly Instruction

Product Name: Sierra Dark Wood Side Table - Sintered Stone Top

Product Id: 129666

### Hardware List



### Part List

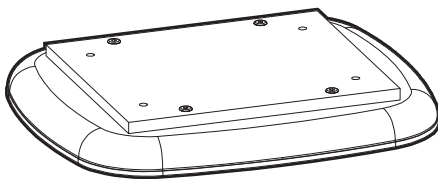
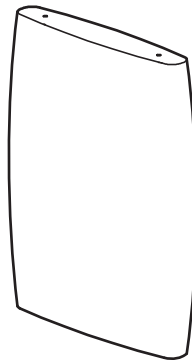
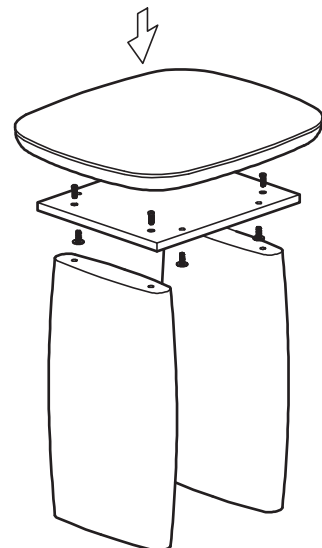


Table Top  
1 pc



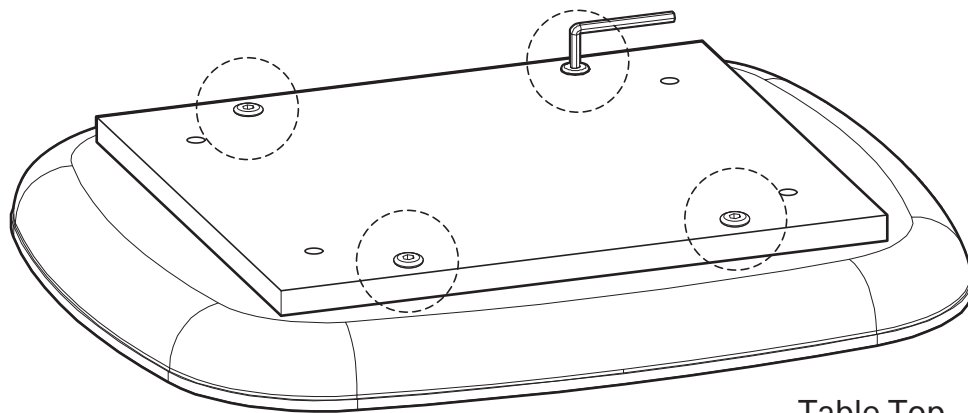
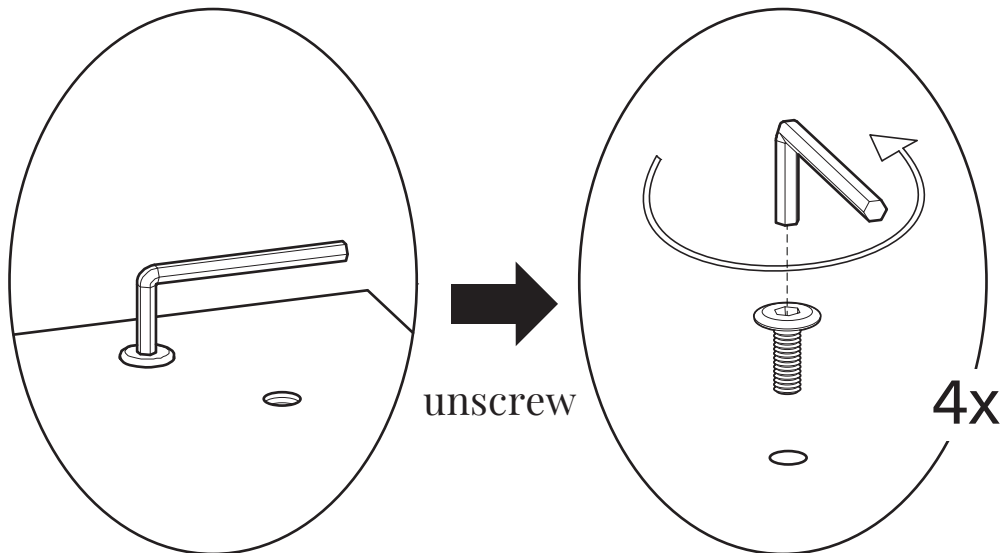
Leg  
2 pc



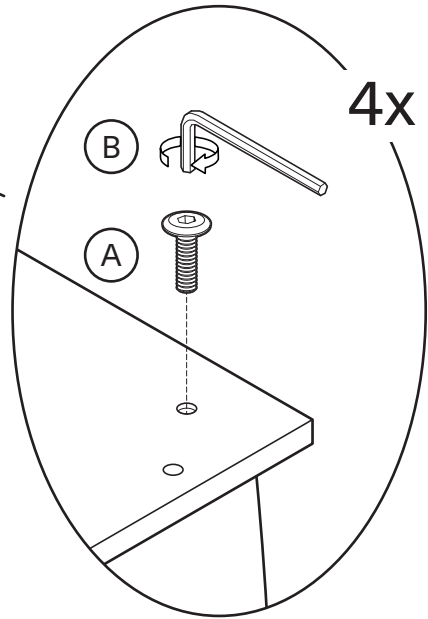
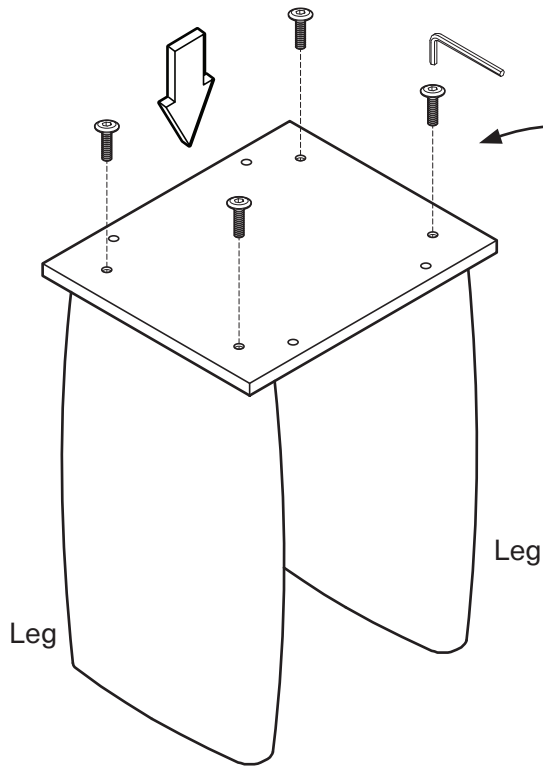
## Note

1. Assemble the item on a soft, well-lit surface like cardboard or carpet.
2. For safety and efficiency, it's best to have two or more people assist with assembly to handle heavy parts safely and collaborate effectively.
3. Keep all packaging materials intact until assembly is complete.
4. Before assembling the item, carefully read all provided instructions.
5. Handle tools with care during assembly to prevent injuries.

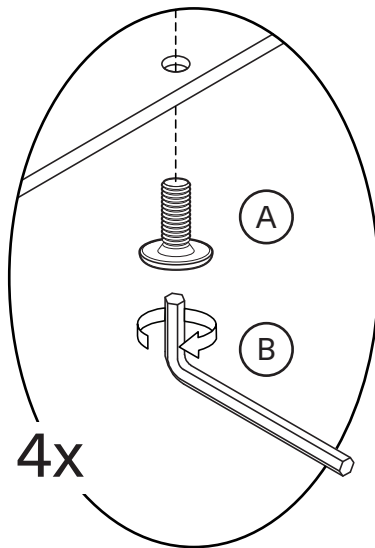
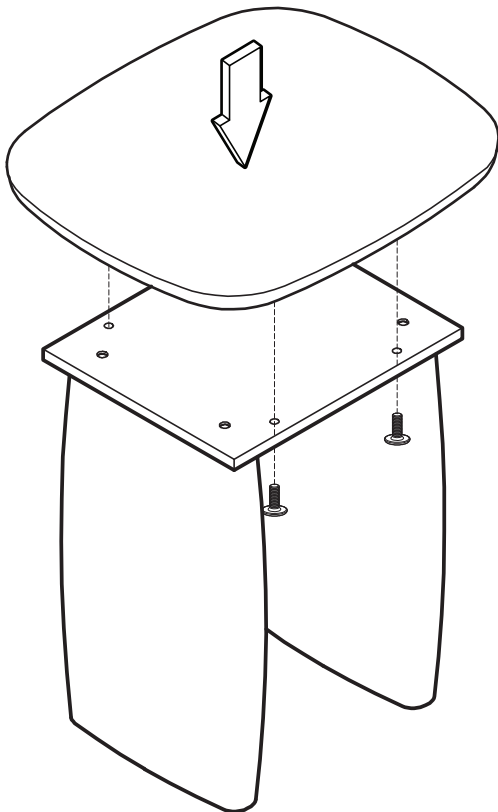
1



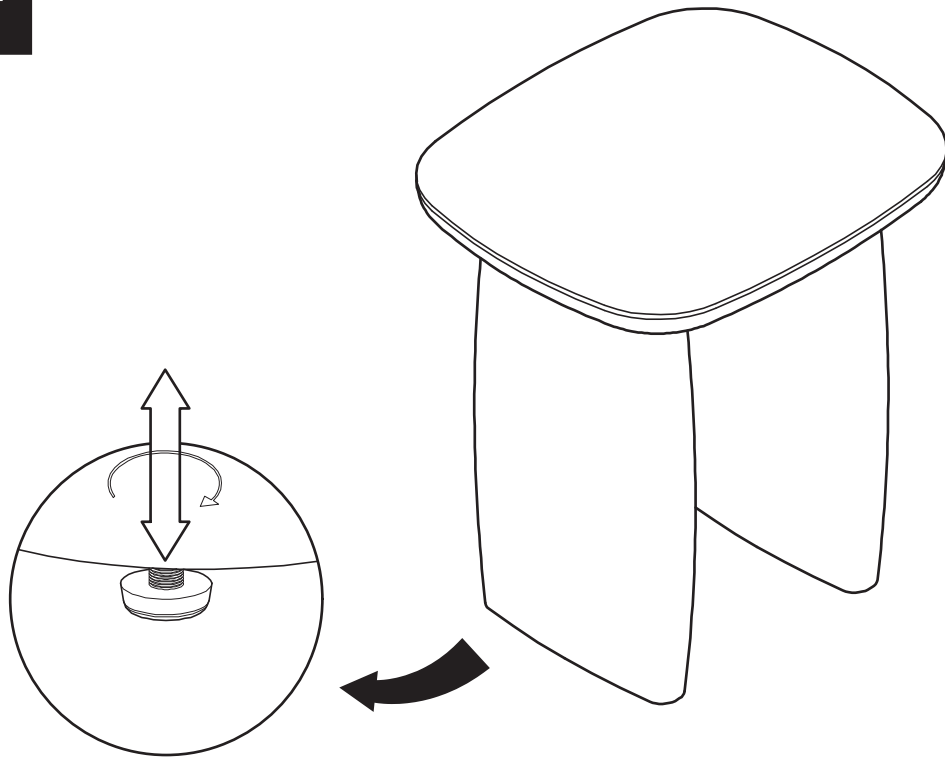
2



3



4



All leg must be firmly in contact with the ground once installation is complete. If needed, adjust the stoppers to ensure stability.

5

