

KOALA









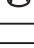



L I V I N G

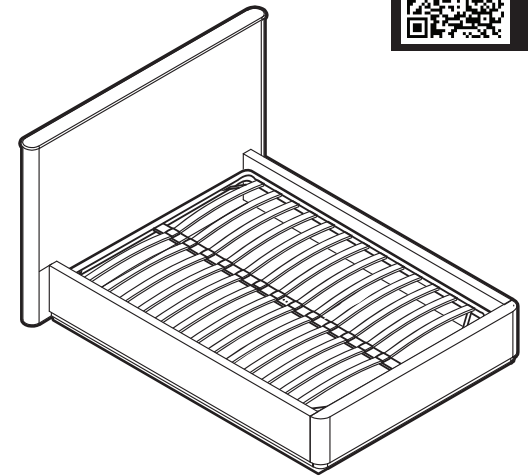
Assembly Instruction

Product Name: San Pierre Toffee Brown Ash Double Bed

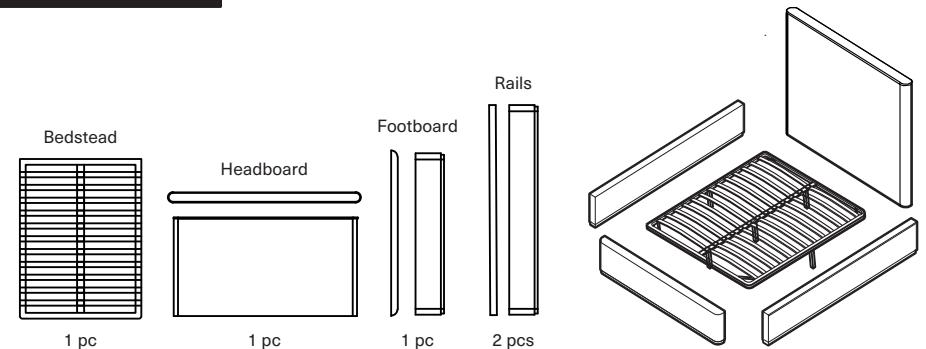
Product Id: 130099

Hardware List

A		Allen Key 5mm	1 pc
B		Wrench 13#	1 pc
C		Allen Bolt M8*100	4 pcs
D		Threaded Bolt M8*85	4 pcs
E		Nut M8	8 pcs
F		Washer M8*Ø35	8 pcs
G		Washer 8*17	8 pcs
H		Dowel Ø10*40	8 pcs
I		Allen Bolt M8*20	16 pcs
J		Triangular Bracket	4 pcs
K		Foot Stopper (Already Assembled)	11 pcs
L		Ø38	8 pcs



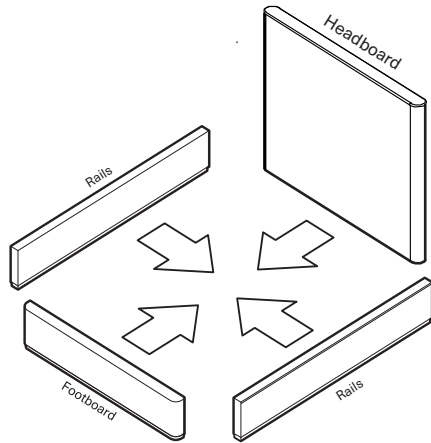
Part List



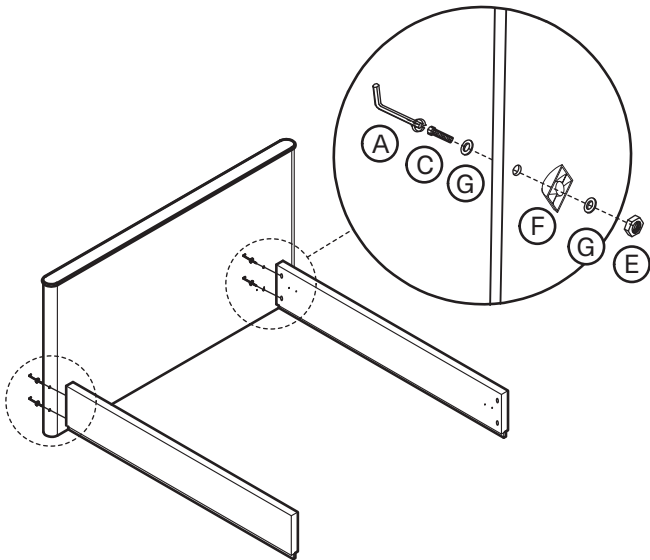
Note

1. Assemble the item on a soft, well-lit surface like cardboard or carpet.
2. For safety and efficiency, it's best to have two or more people assist with assembly to handle heavy parts safely and collaborate effectively.
3. Keep all packaging materials intact until assembly is complete.
4. Before assembling the item, carefully read all provided instructions.
5. Handle tools with care during assembly to prevent injuries.

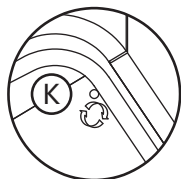
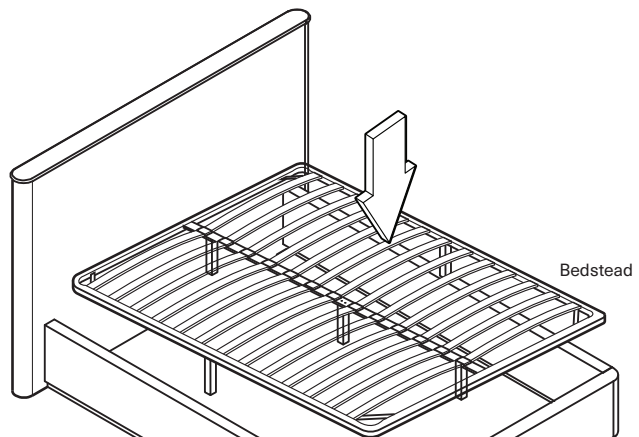
1



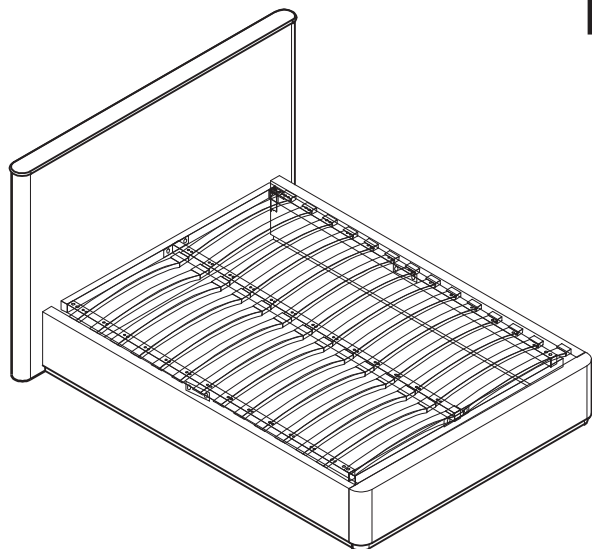
2



8

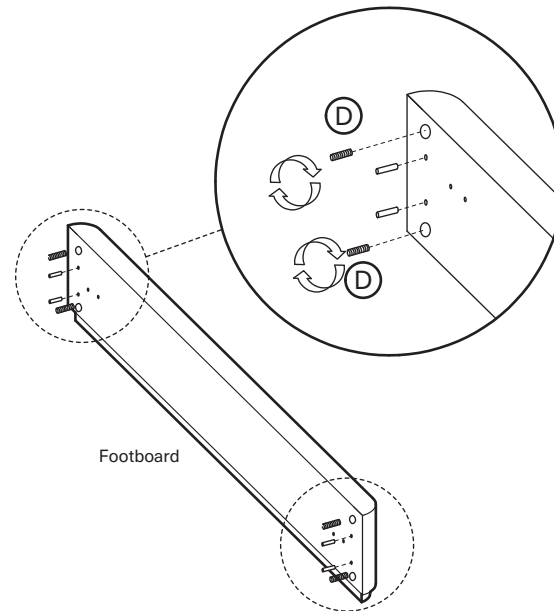


Adjust accordingly if the bed feels unsteady



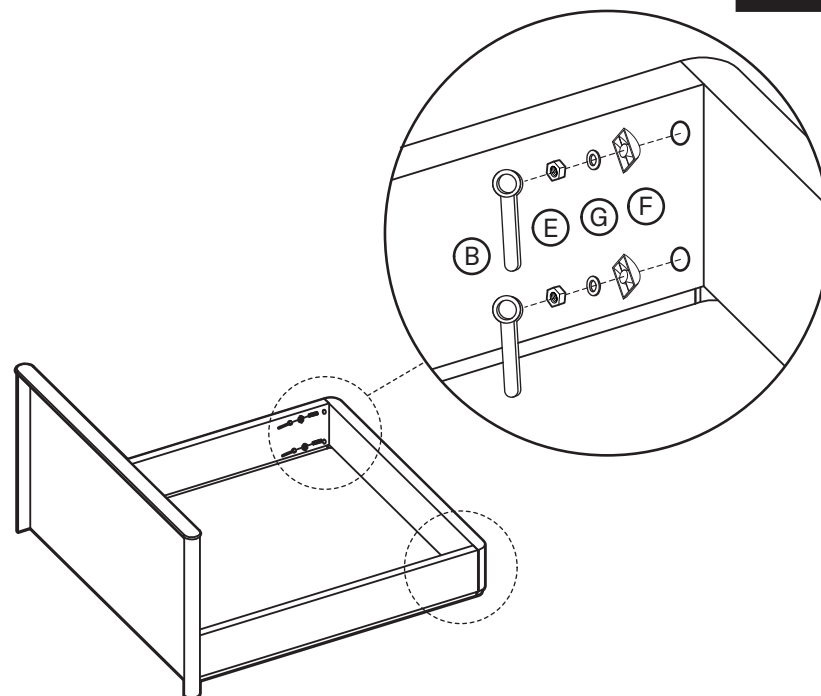
9

3

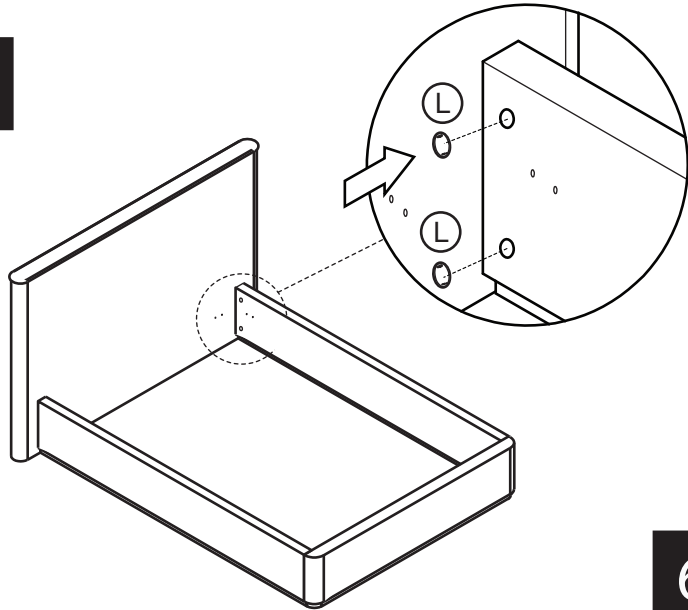


Footboard

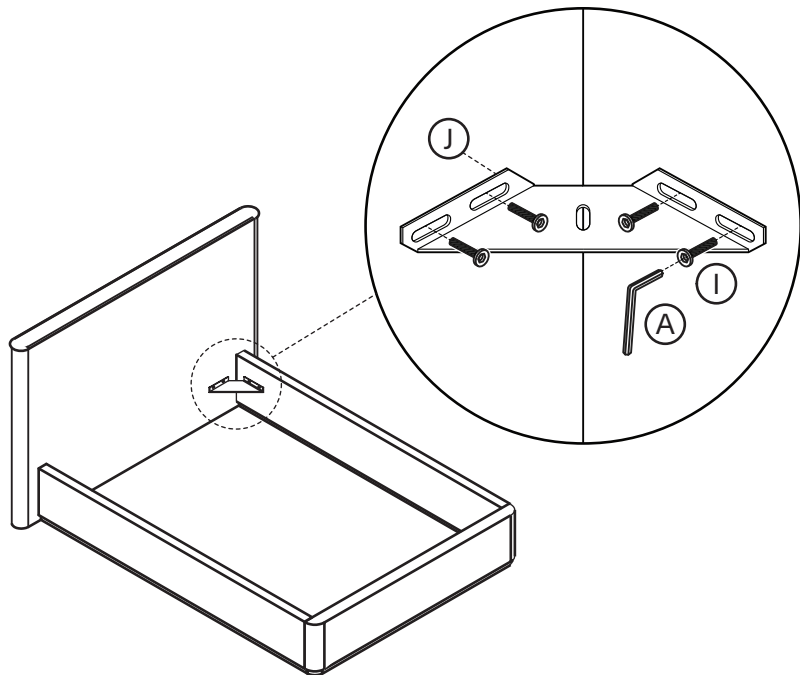
4








5



6



Bedstead Hardware List

M		Nut M8	10 pcs
N		Allen Bolt M8*40	10 pcs
O		Washer 8*19	10 pcs
P		Foot Stopper (Already Assembled)	5 pcs
Q		Bed Legs	5 pcs

7

