





# KOALA

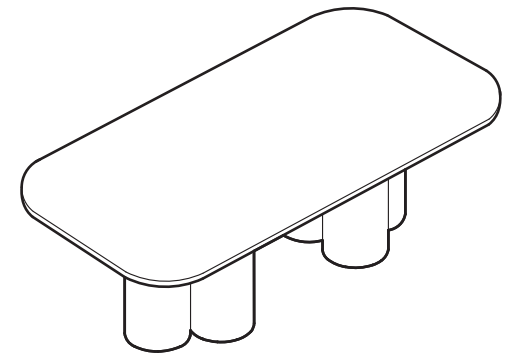
L I V I N G

## Assembly Instruction

Product Name: Terzetto Pandora Brown Sintered Stone Rectangular Dining Table  
Dark Brown Ash Legs 240x120cm  
Product Id: 129136

### Hardware List

- A  Allen Key 5mm 1 pc
- B  Allen Bolt 5/16\*35mm 12 pcs
- C  Spring Washer Ø13mm 12 pcs
- D  Washer Ø19mm 12 pcs



### Part List

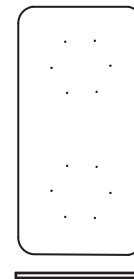
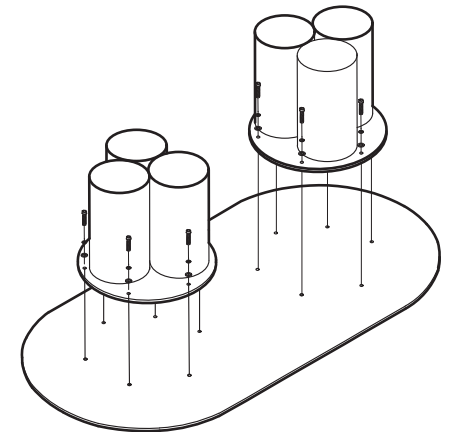


Table Top  
1 pc



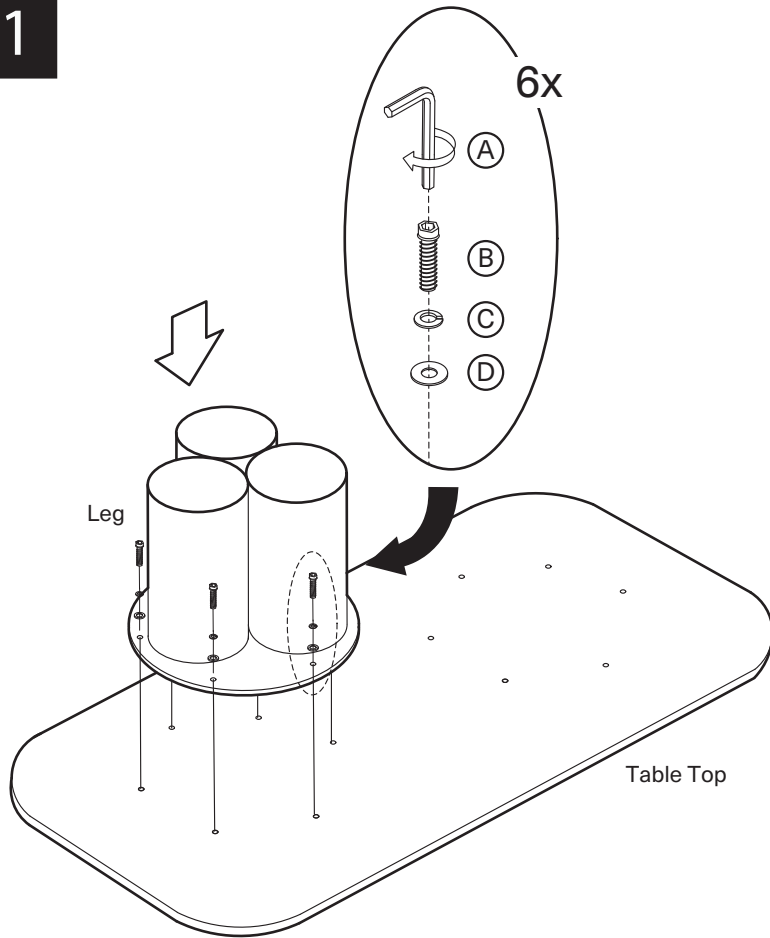
Leg  
2 pcs



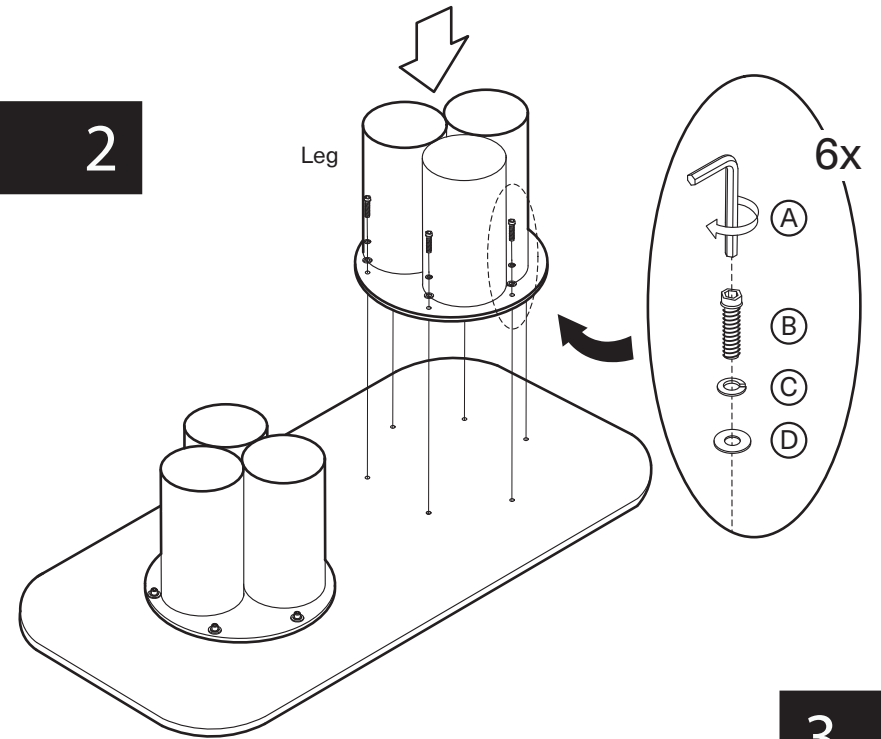
## Note

1. Assemble the item on a soft, well-lit surface like cardboard or carpet.
2. For safety and efficiency, it's best to have two or more people assist with assembly to handle heavy parts safely and collaborate effectively.
3. Keep all packaging materials intact until assembly is complete.
4. Before assembling the item, carefully read all provided instructions.
5. Handle tools with care during assembly to prevent injuries.

1



2



3

