

KOALA

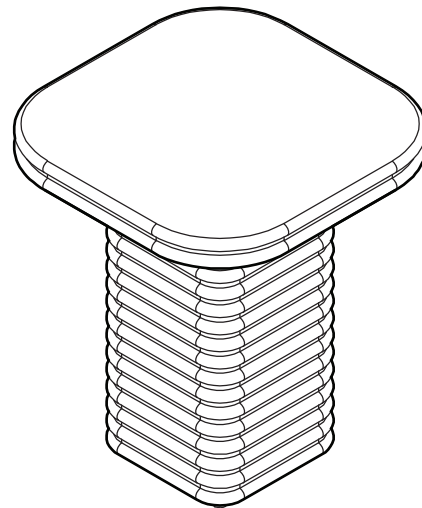
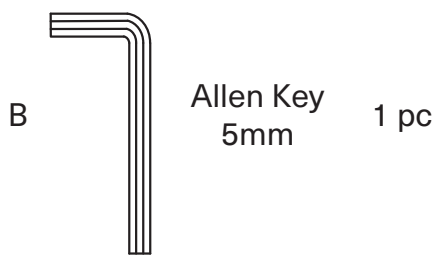
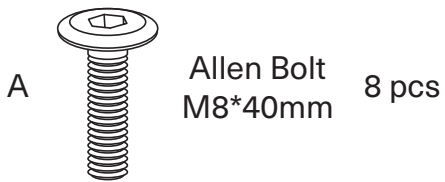
L I V I N G

Assembly Instruction

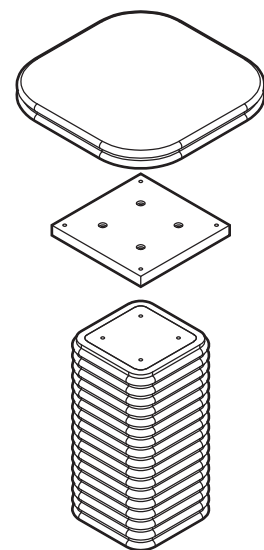
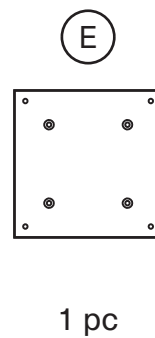
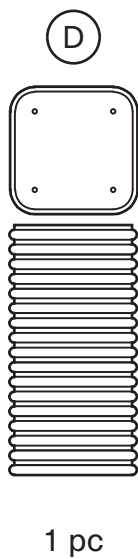
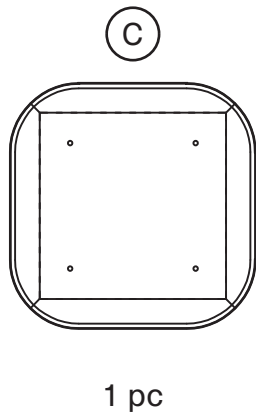
Product Name: Ophelia Smoky Walnut Veneer Curved Side Table

Product Id: 130721

Hardware List



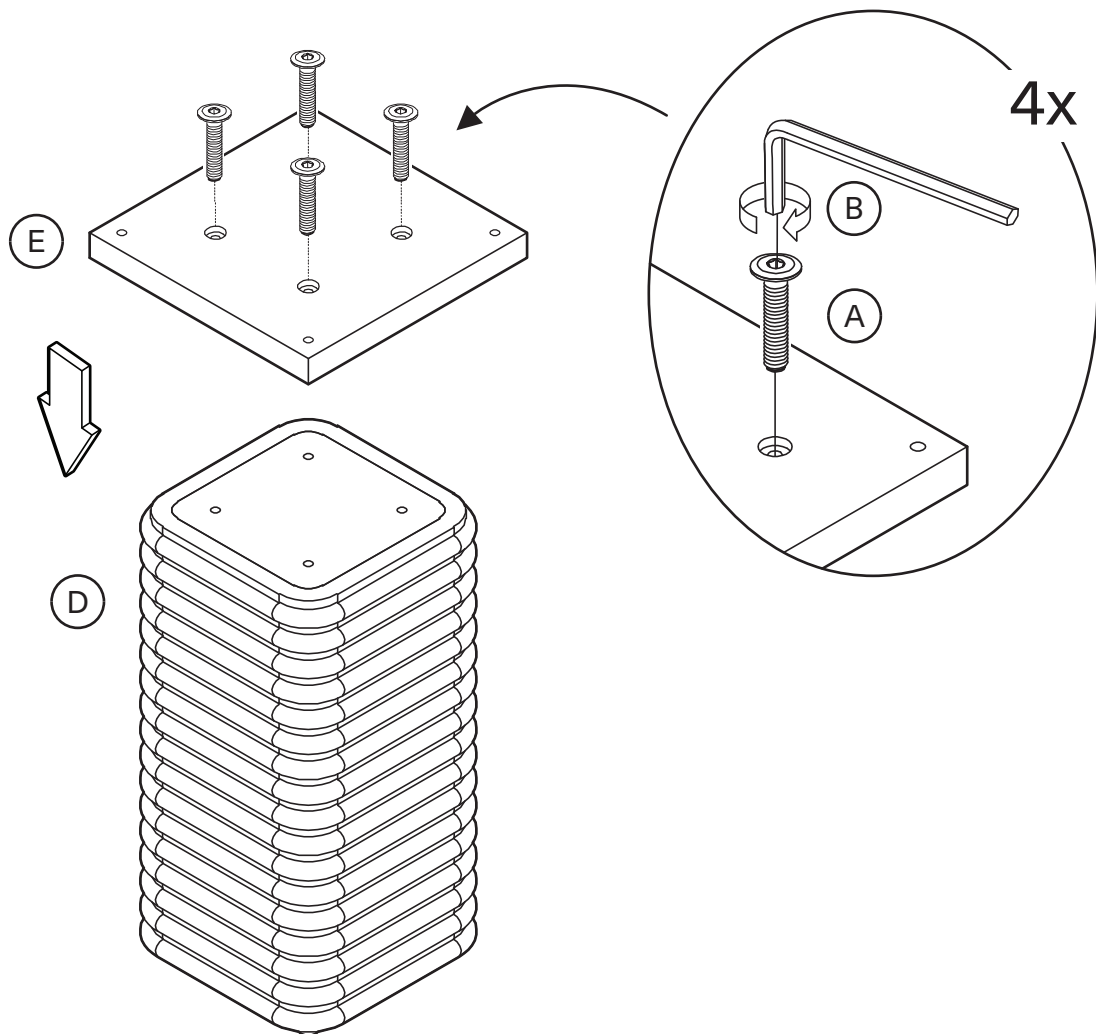
Part List



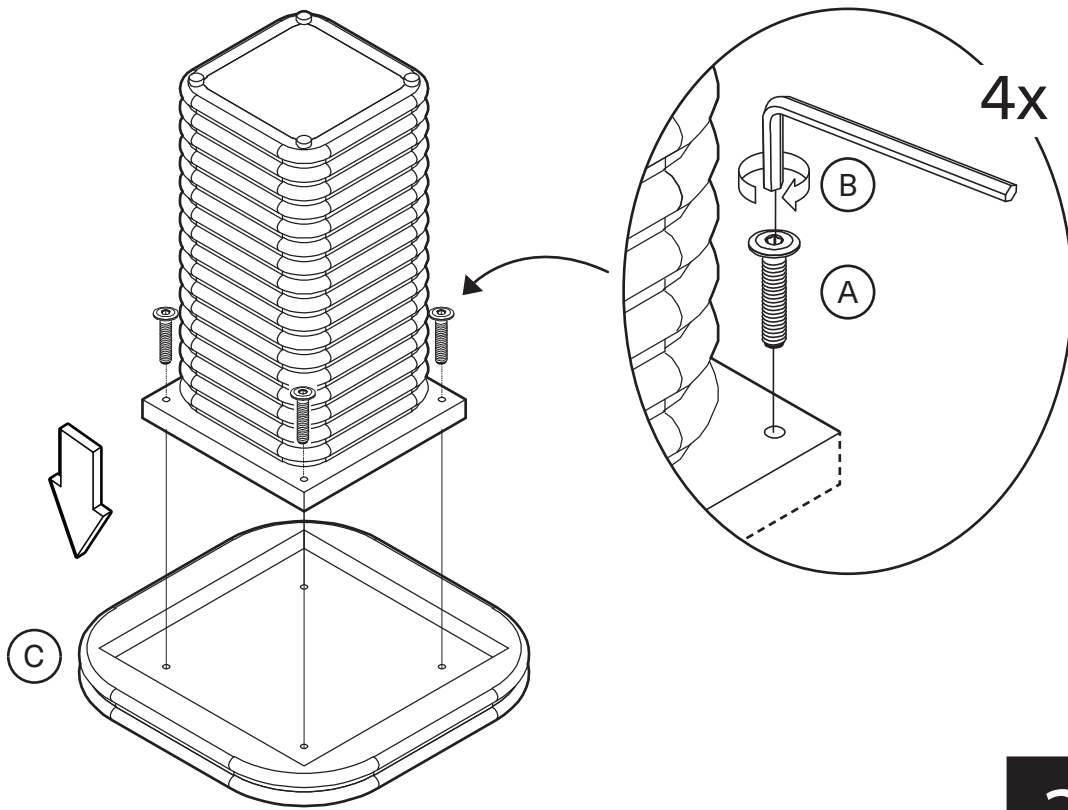
Note

1. Assemble the item on a soft, well-lit surface like cardboard or carpet.
2. For safety and efficiency, it's best to have two or more people assist with assembly to handle heavy parts safely and collaborate effectively.
3. Do not discard any packaging materials until assembly is complete
4. Before assembling the item, carefully read all provided instructions.
5. Handle tools with care during assembly to prevent injuries.

1



2



3

