

# KOALA







L I V I N G

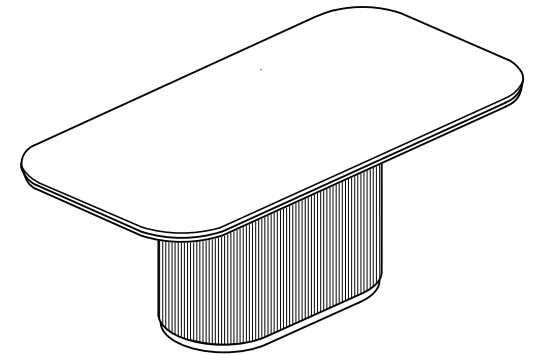
## Assembly Instruction

Product Name: San Pierre Light Brown Ash Veneer Single Leg Rectangular Dining Table  
Travertine Finish Sintered Stone Top - 270x120cm

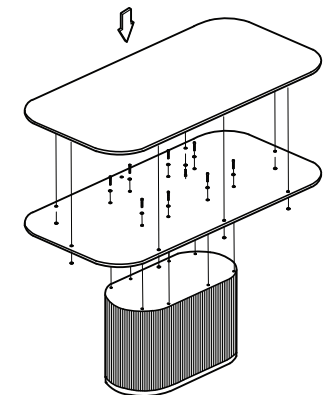
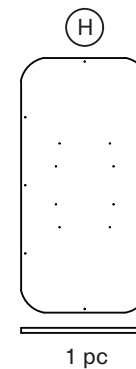
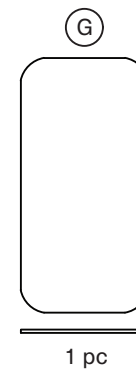
Product Id: 129963

### Hardware List

A		Allen Key 5mm	1 pc
B		Allen Bolt 8*40	8 pcs
C		Washer 8*19	8 pcs
D		Allen Key 4mm	1 pc
E		Allen Bolt 6*25	10 pcs
F		Washer 6*16	10 pcs



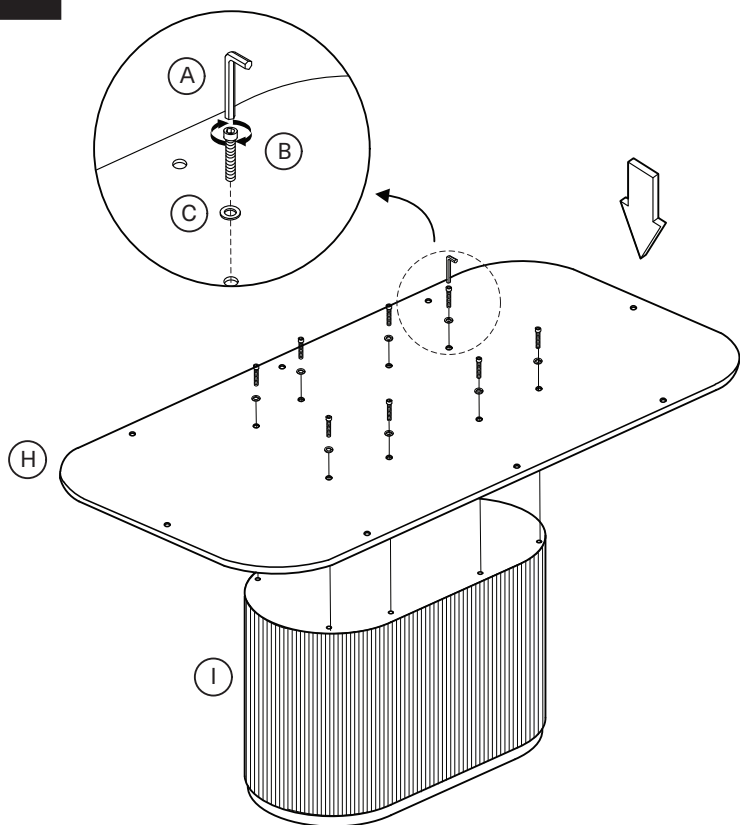
### Part List



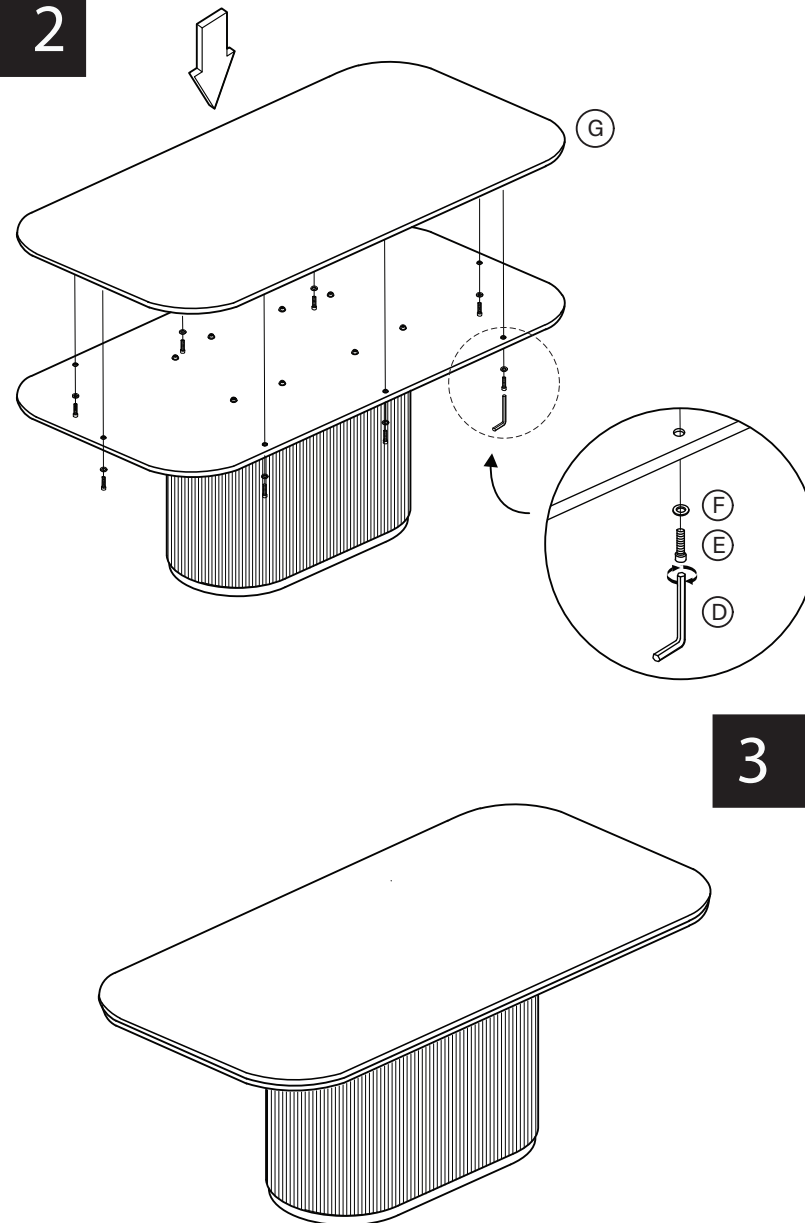
## Note

1. Assemble the item on a soft, well-lit surface like cardboard or carpet.
2. For safety and efficiency, it's best to have two or more people assist with assembly to handle heavy parts safely and collaborate effectively.
3. Do not discard any packaging materials until assembly is complete.
4. Before assembling the item, carefully read all provided instructions.
5. Handle tools with care during assembly to prevent injuries.

1



2



3