

KOALA


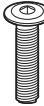

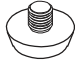
L I V I N G

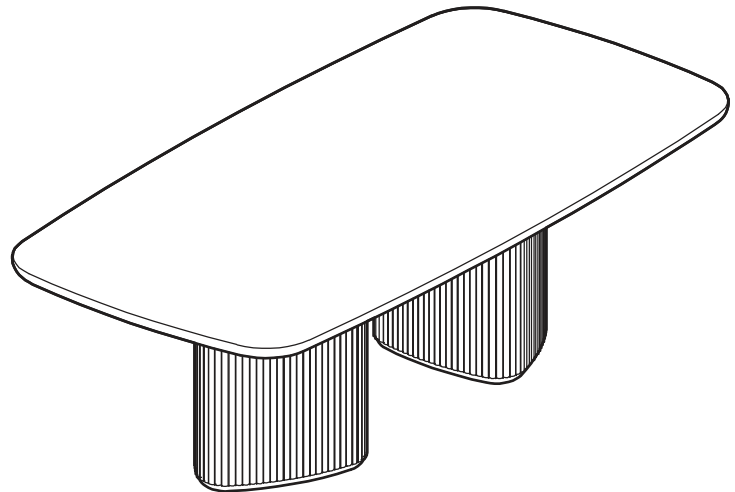
Assembly Instruction

Product Name: Terra Linea Amber Brown Ash Veneer
Two Triangular Leg Rectangular Dining Table - 240cm x 120cm

Product Id: 131896

Hardware List

- | | | | |
|---|---|---|--------|
| A |  | Allen Key
5mm | 1 pc |
| B |  | Allen Bolt
8*40 | 14 pcs |
| C |  | Allen Bolt
8*19 | 14 pcs |
| D |  | Adjustable Stopper
(Already Assembled) | 6 pcs |



Part List

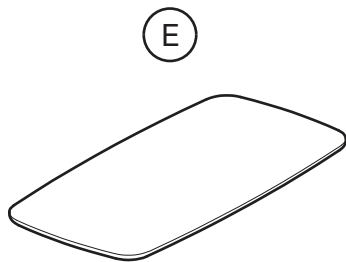
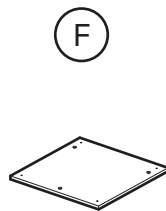
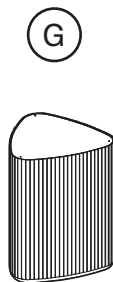


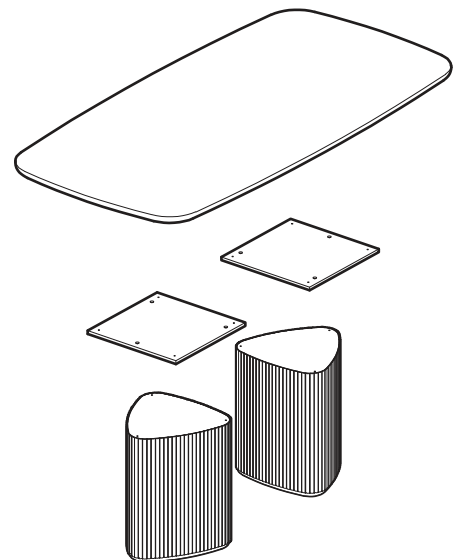
Table Top
1 pc



Frame
2 pcs



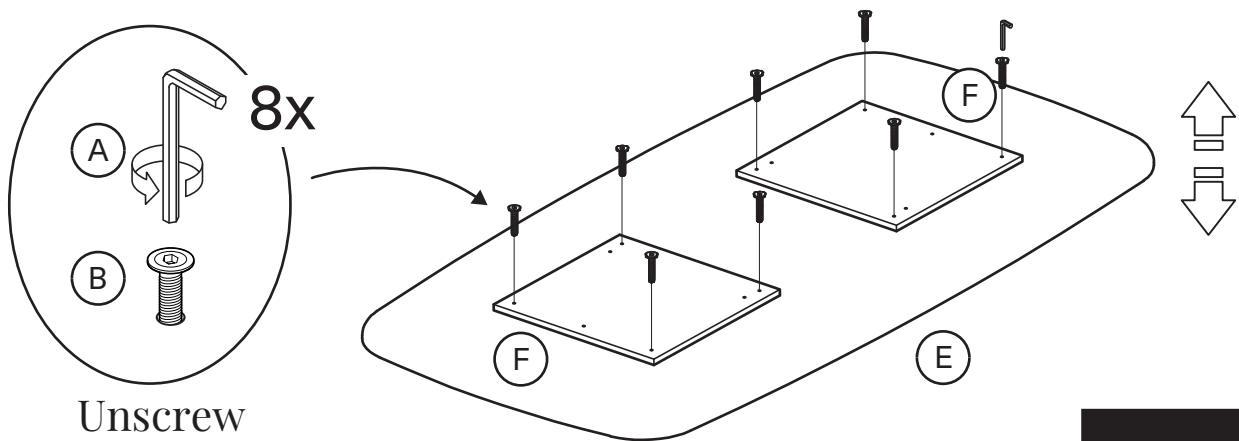
Leg
2 pcs



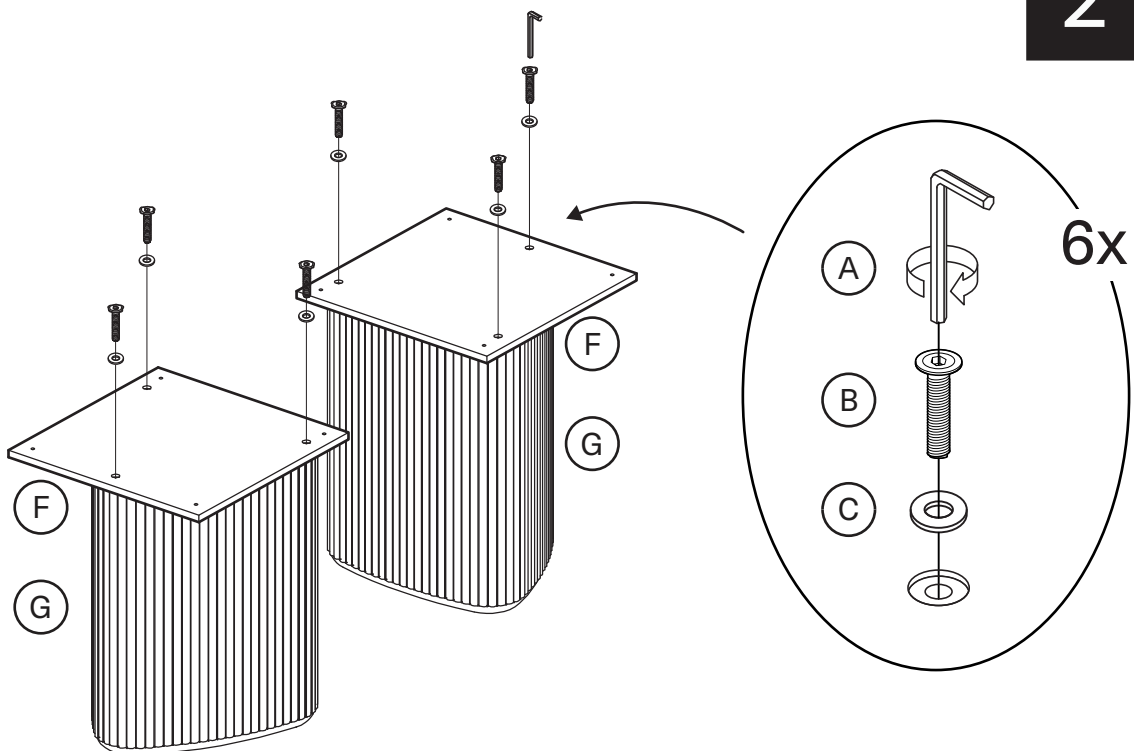
Note

1. Assemble the item on a soft, well-lit surface like cardboard or carpet.
2. For safety and efficiency, it's best to have two or more people assist with assembly to handle heavy parts safely and collaborate effectively.
3. Do not discard any packaging materials until assembly is complete.
4. Before assembling the item, carefully read all provided instructions.
5. Handle tools with care during assembly to prevent injuries.

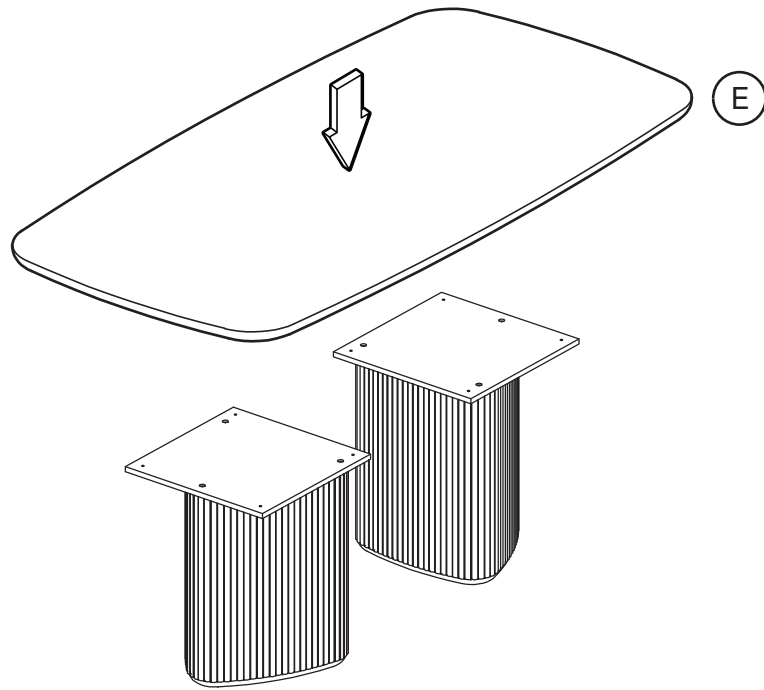
1



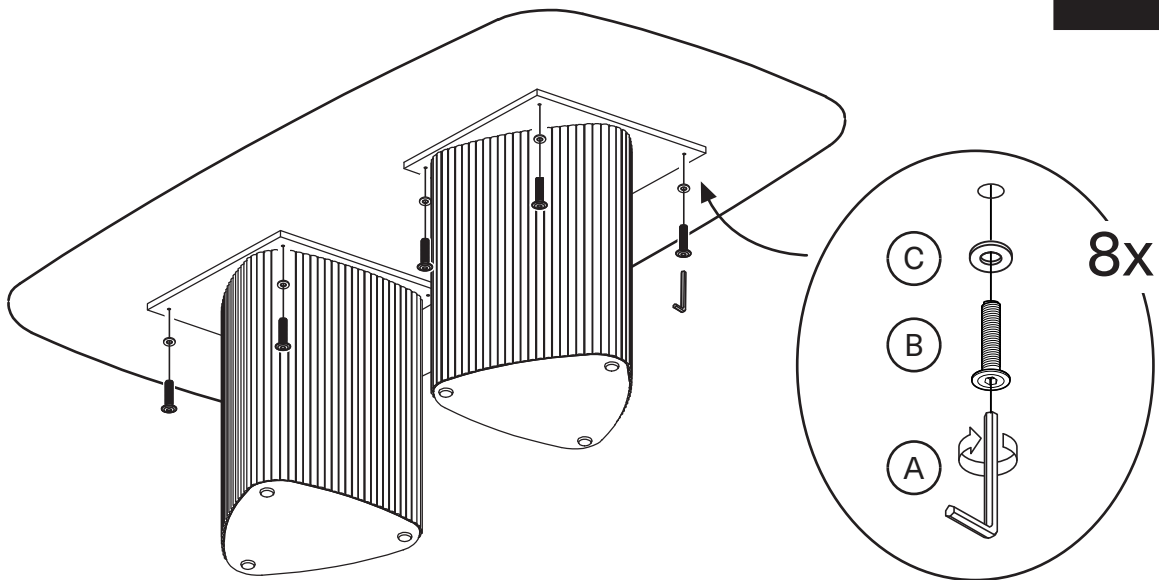
2



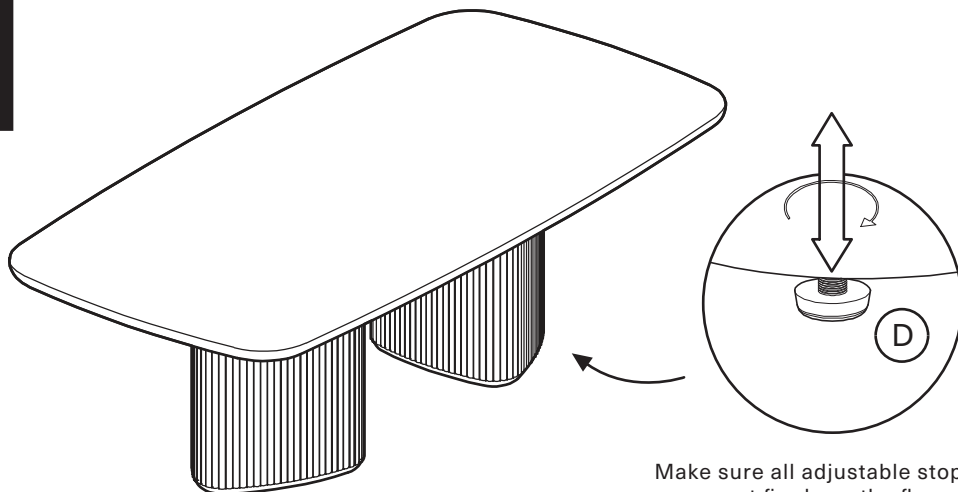
3



4



5



Make sure all adjustable stoppers rest firmly on the floor.