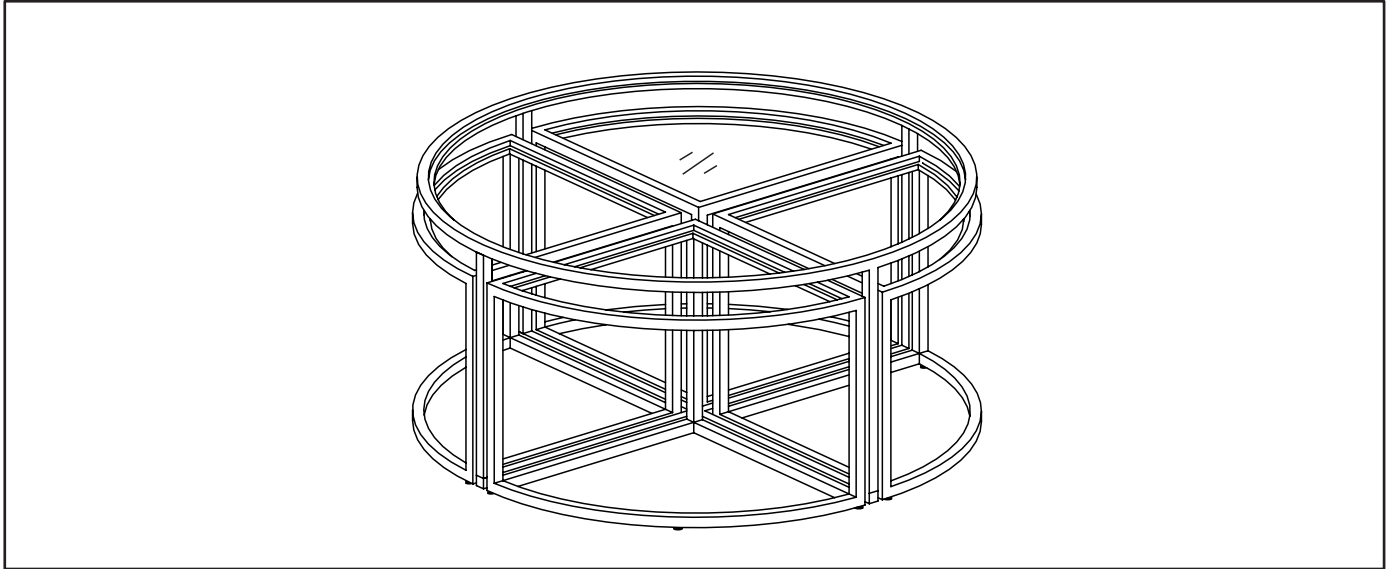


KOALA

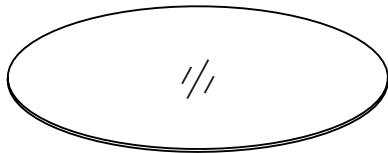
L I V I N G

Assembly Instruction

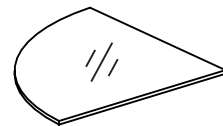
Product Name: Raquelle II Coffee Table



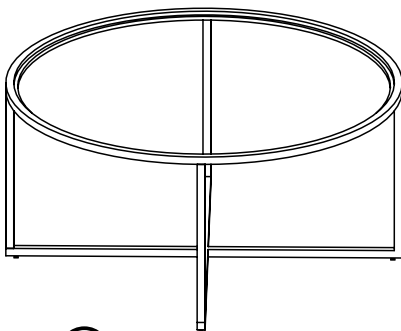
Parts List



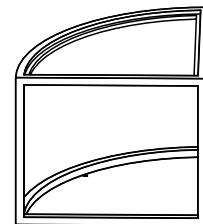
(A) Clear Glass 1
1 pc



(B) Clear Glass 2
4 pcs



(C) Frame - 1
1 pc

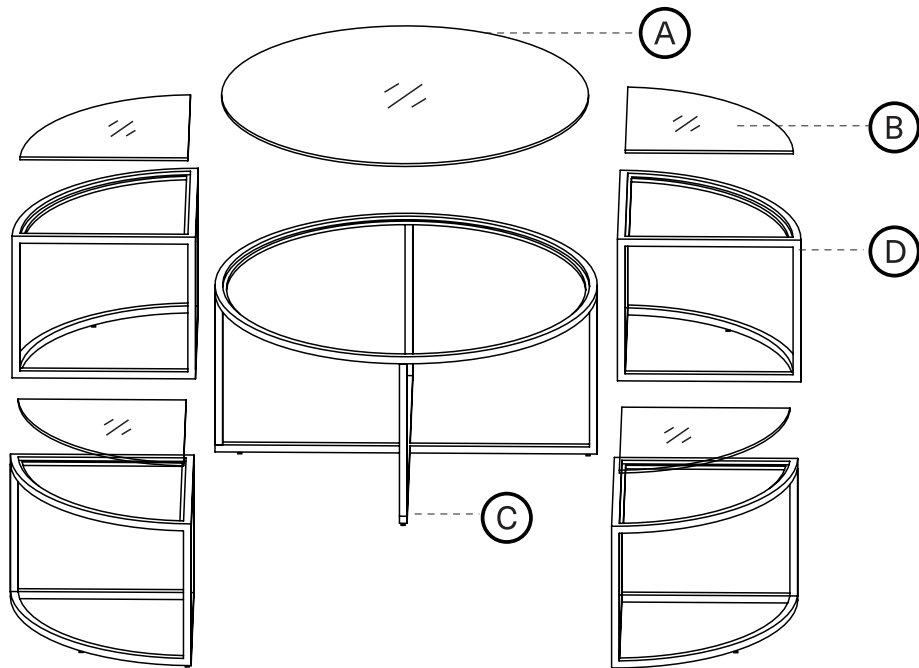


(D) Frame - 2
4 pcs

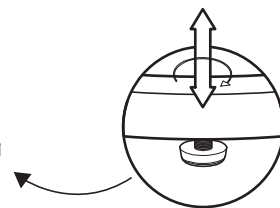
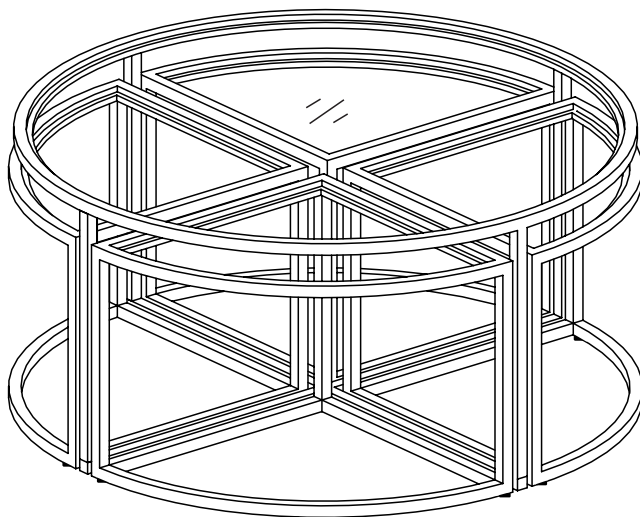
Note

1. Assemble the item on a soft, well-lit surface like cardboard or carpet.
2. For safety and efficiency, it's best to have two or more people assist with assembly to handle heavy parts safely and collaborate effectively.
3. Keep all packaging materials intact until assembly is complete.
4. Before assembling the item, carefully read all provided instructions.
5. Handle tools with care during assembly to prevent injuries.

1



2



Ensure all adjustable stoppers are firmly on the ground for stability