

KOALA


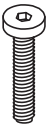
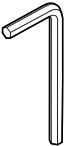
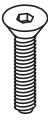
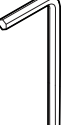
L I V I N G

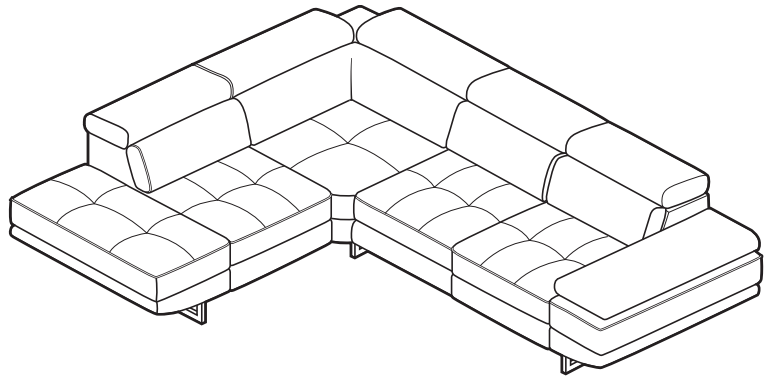
Assembly Instruction

Product Name: Alessia Black Leather Dual Electric Recliner Lounge - Left

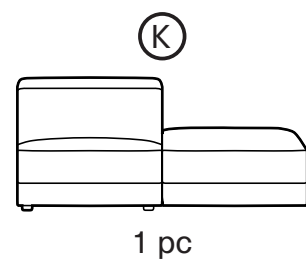
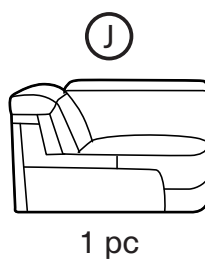
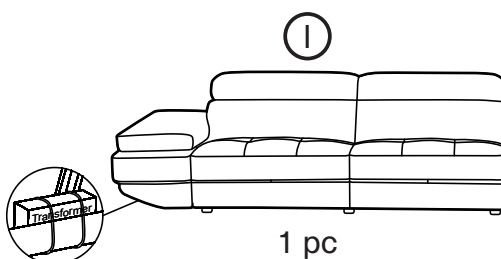
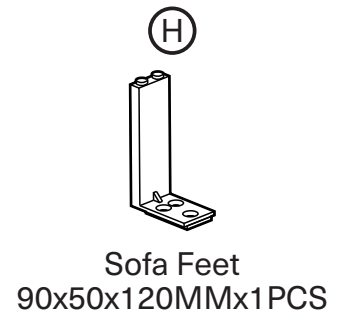
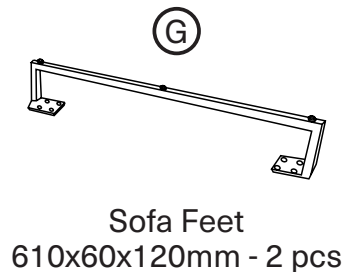
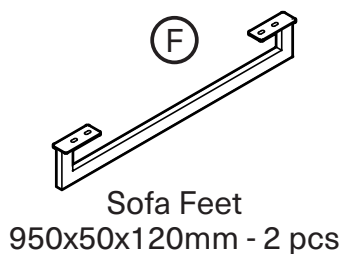
Product Id: 128524

Hardware List

- A  Gasket
Ø8*Ø17mm 24 pcs
- B  Allen Bolt
M8*35mm 24 pcs
- C  Wrench
6mm 1 pc
- D  Allen Bolt
M8*35mm 3 pcs
- E  Wrench
5mm 1 pc



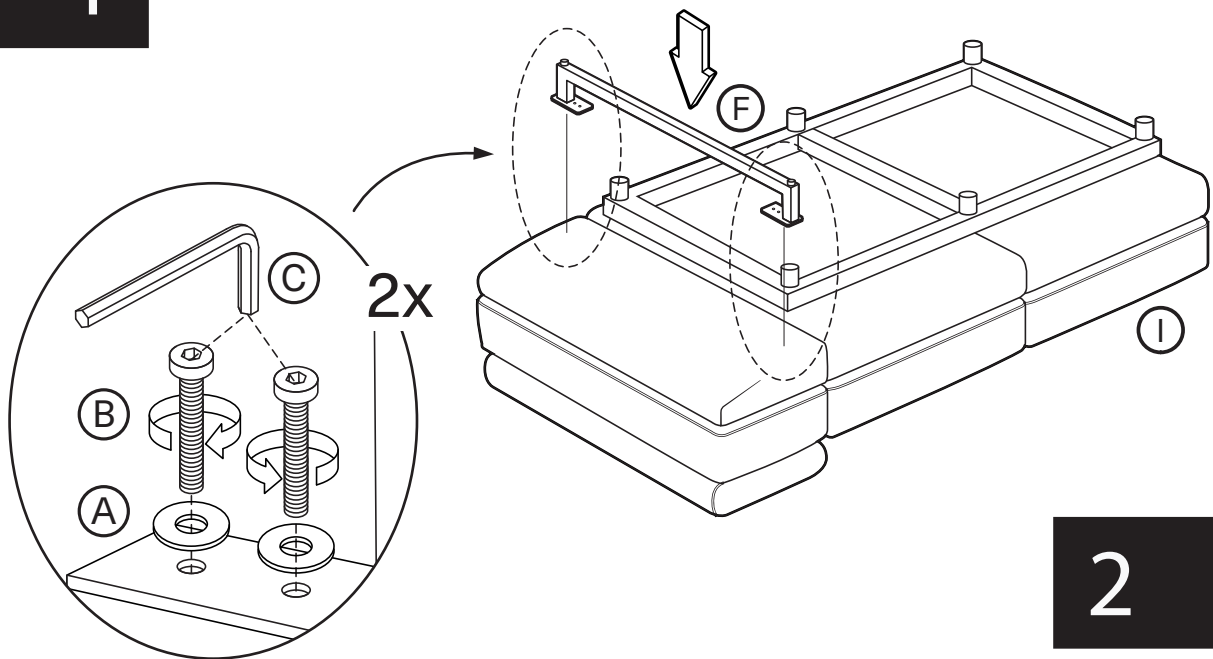
Part List



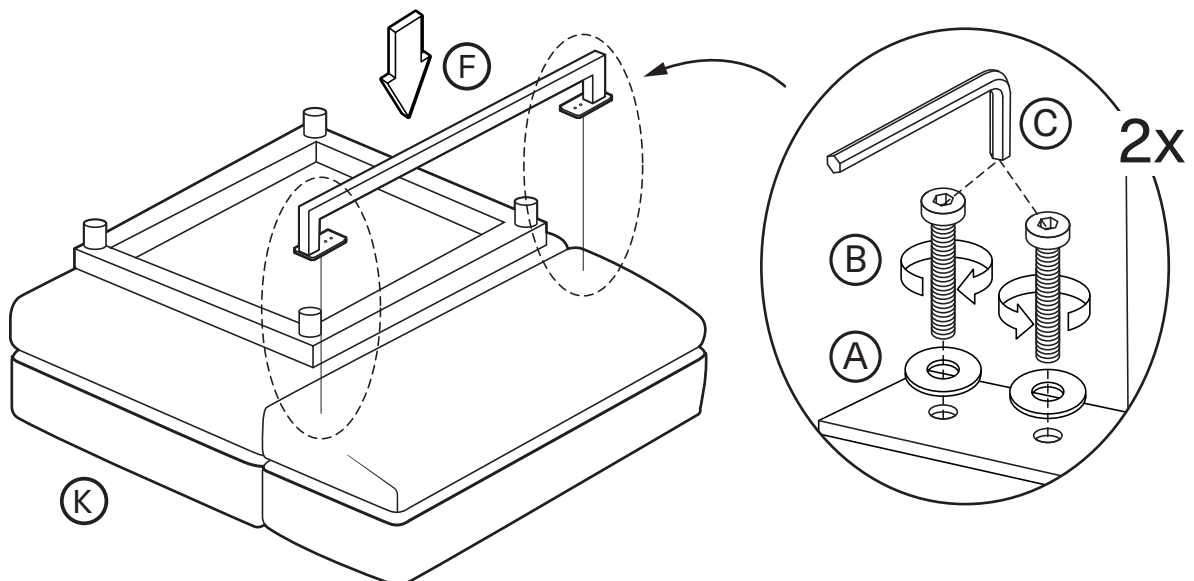
Note

1. Assemble the item on a soft, well-lit surface like cardboard or carpet.
2. For safety and efficiency, it's best to have two or more people assist with assembly to handle heavy parts safely and collaborate effectively.
3. Do not discard any packaging materials until assembly is complete.
4. Before assembling the item, carefully read all provided instructions.
5. Handle tools with care during assembly to prevent injuries.

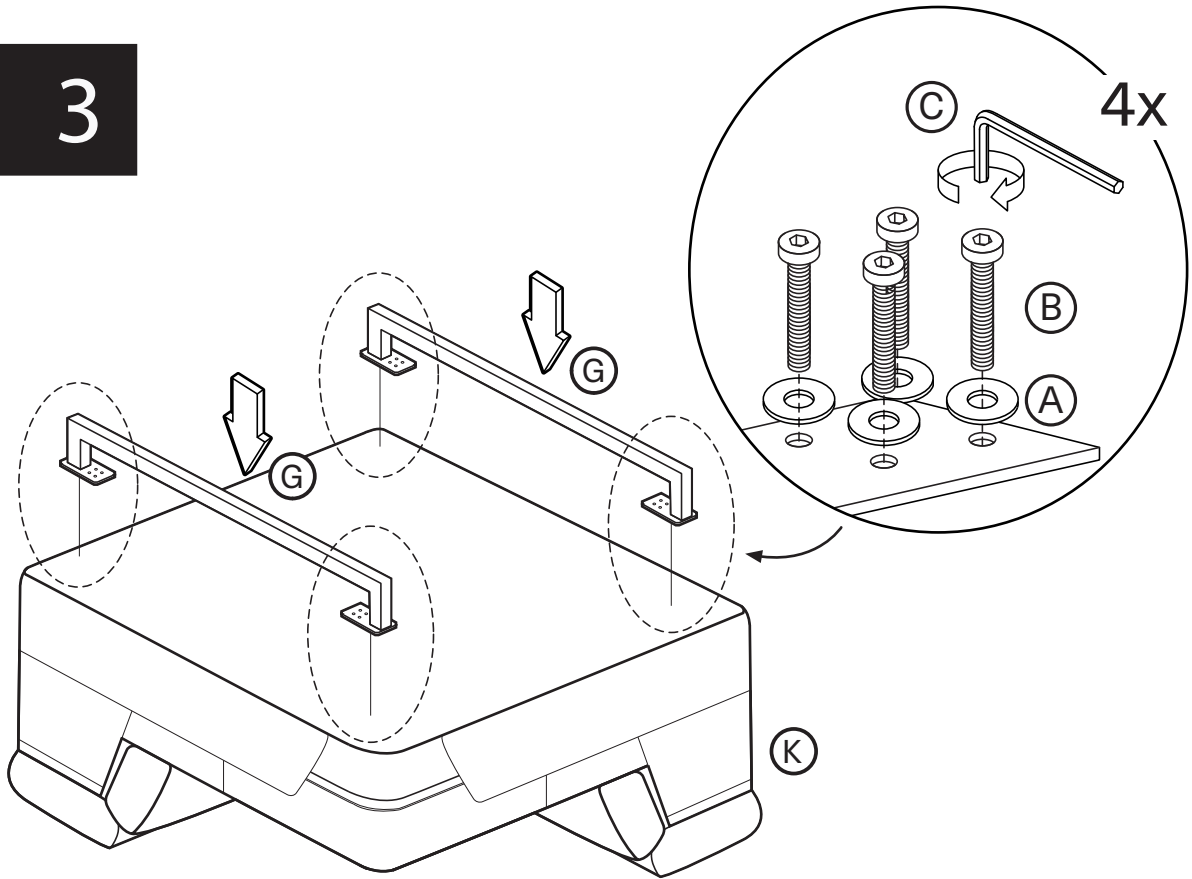
1



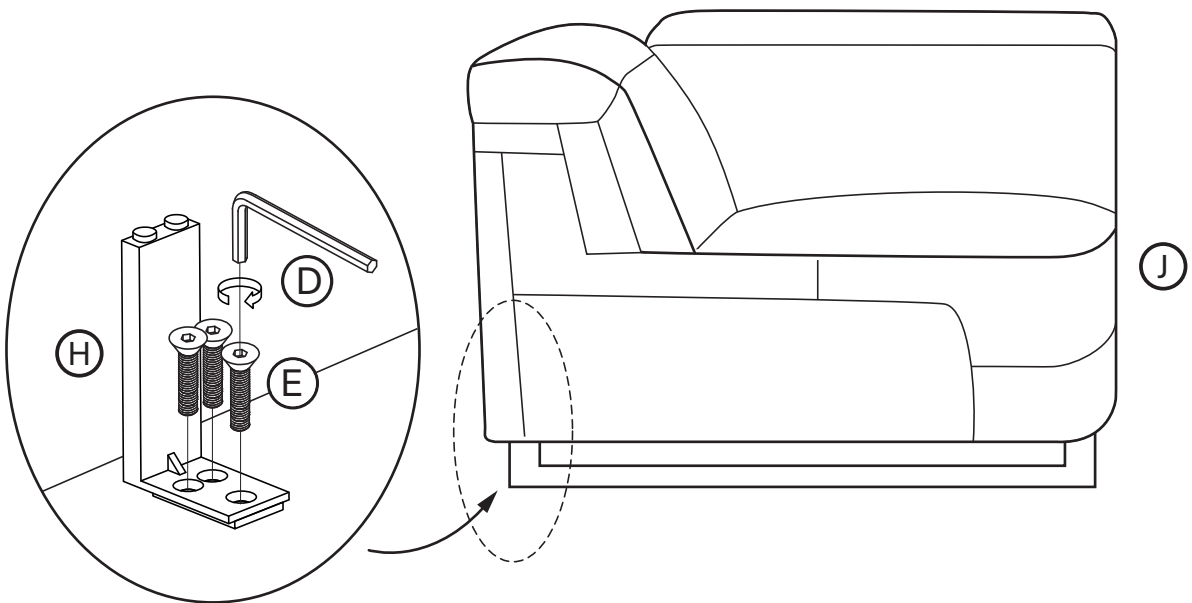
2



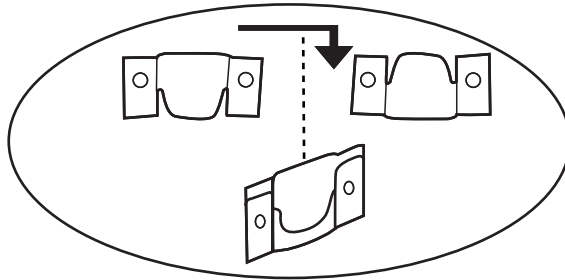
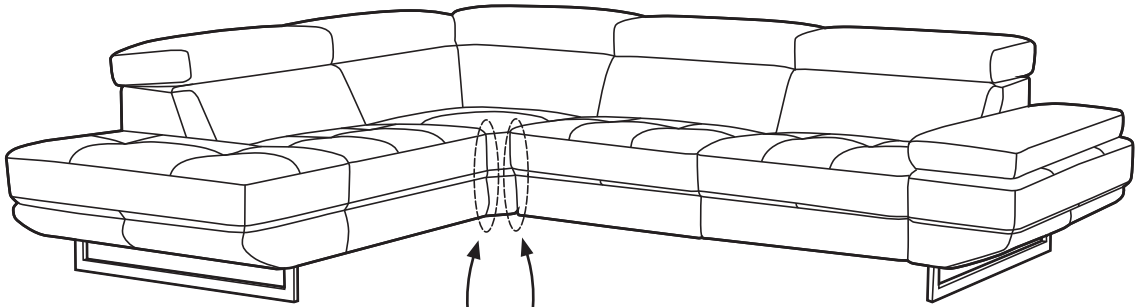
3



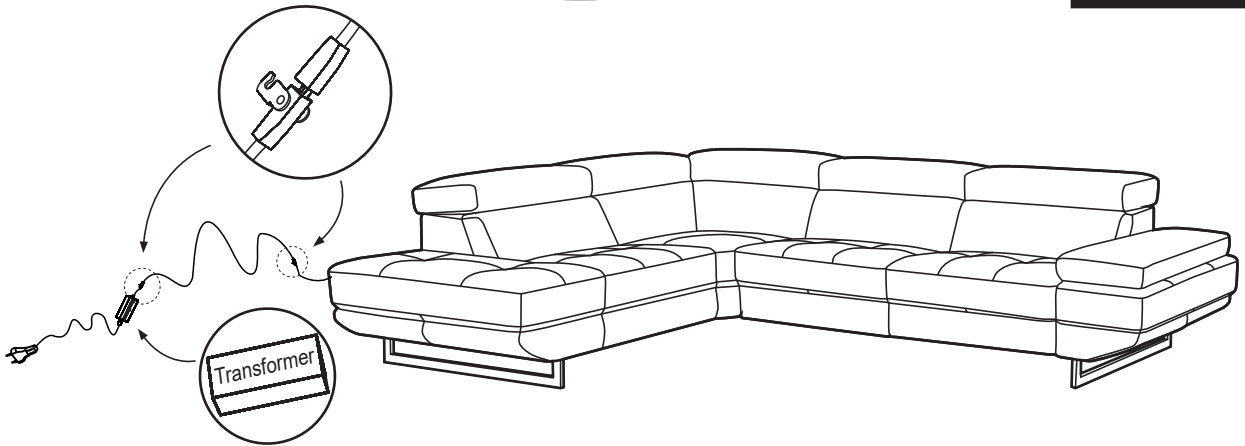
4



5



6



7

