

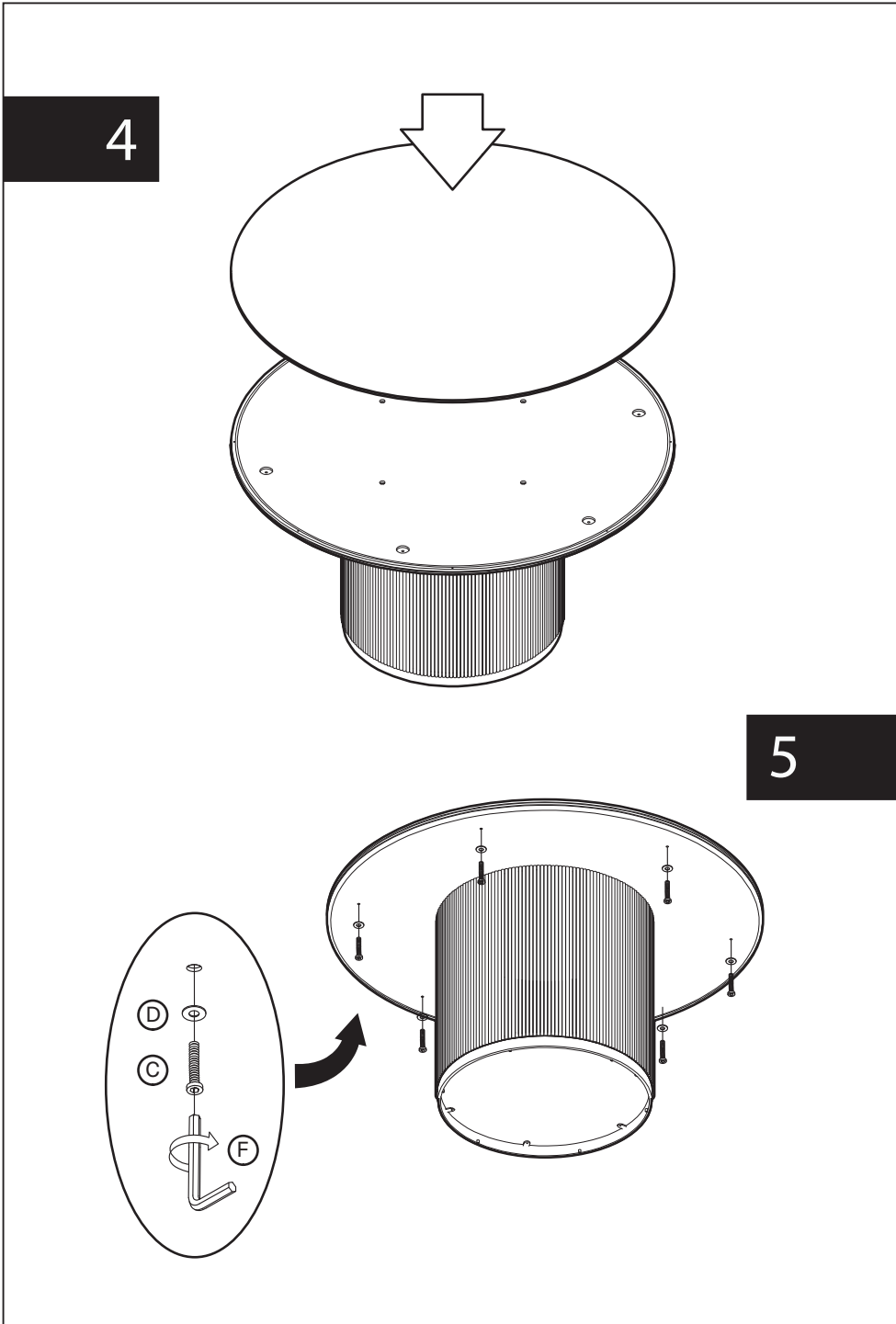
KOALA







L I V I N G

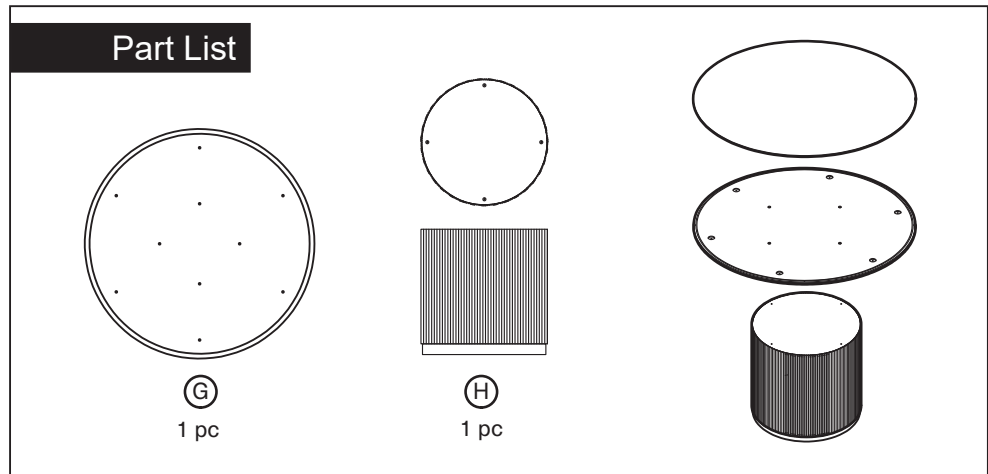
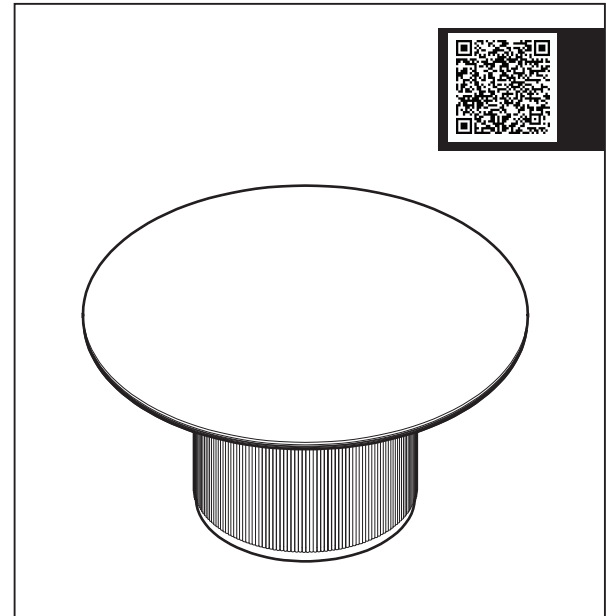
Assembly Instruction

Product Name: San Pierre Light Brown Ash Round Dining Table
 Single Leg - Travertine Finish Sintered Stone Top 150cm

Product Id: 129961



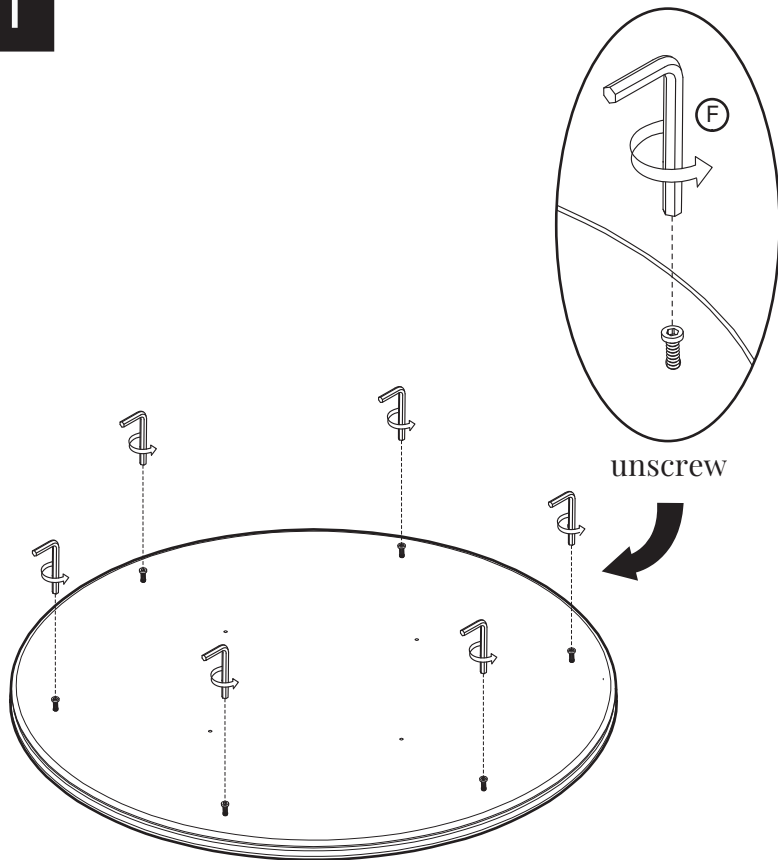
Hardware List			
A		Allen Bolt M8*40	4 pcs
B		Washer 8*19	4 pcs
C		Allen Bolt M6*25	6 pcs
D		Washer 6*16	6 pcs
E		Allen Key 5mm	1 pc
F		Allen Key 4mm	1 pc



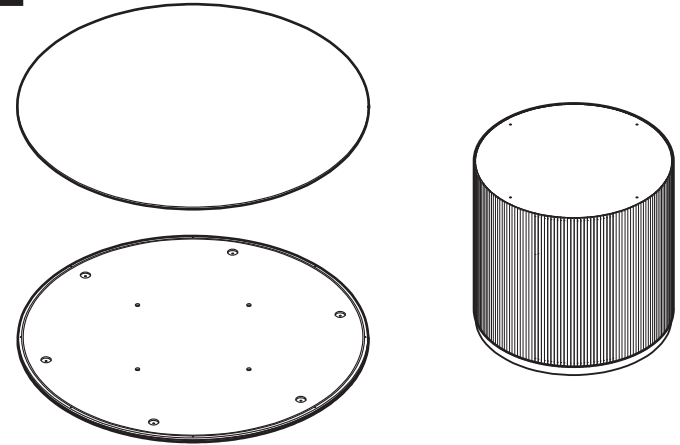
Note

1. Assemble the item on a soft, well-lit surface like cardboard or carpet.
2. For safety and efficiency, it's best to have two or more people assist with assembly to handle heavy parts safely and collaborate effectively.
3. Keep all packaging materials intact until assembly is complete.
4. Before assembling the item, carefully read all provided instructions.
5. Handle tools with care during assembly to prevent injuries.

1



2



3

