





KOALA

L I V I N G

Assembly Instruction

Product Name: Riviera Queen Bed

Hardware List

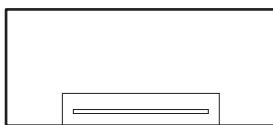
- | | | | |
|---|---|------------------------|--------|
| A |  | Allen Key
5X66X23mm | 1 pc |
| B |  | Allen Bolt
M8X35mm | 32 pcs |
| C |  | Allen Bolt
M8X50mm | 2 pcs |
| D |  | Nut
M8 | 2 pcs |



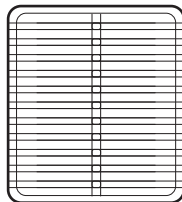
Note

The bolts (B) are pre-installed on the bed head, side rails, footboard and bolts (C) is on the middle legs. Please unscrew them to assemble the bed.

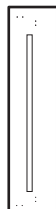
Parts List



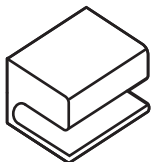
Headboard
1 pc



Bedstead
1 pc



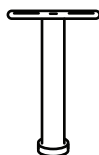
Side Rail
2 pcs



Nightstand
2 pcs



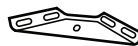
Footboard
1 pc



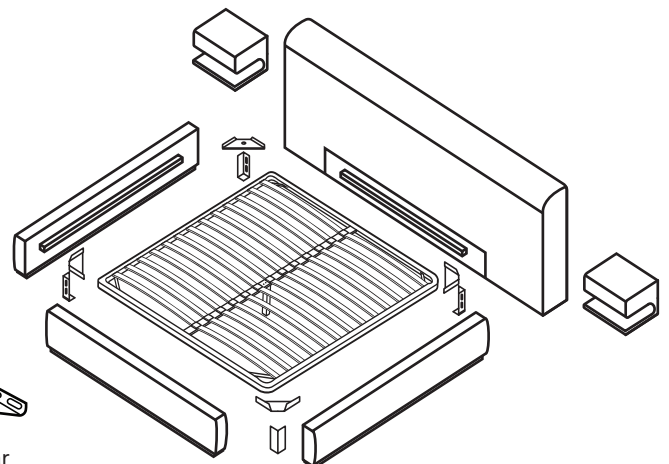
Middle Leg
2 pcs



Bracket
4 pcs



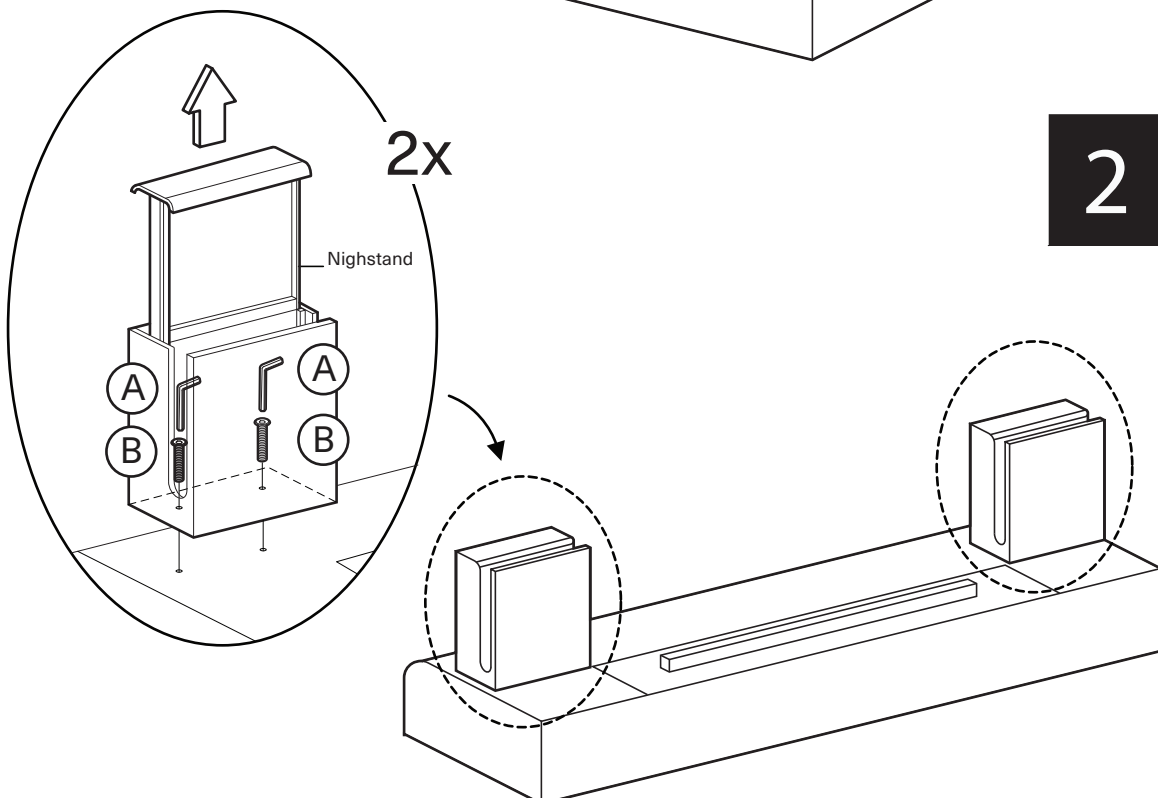
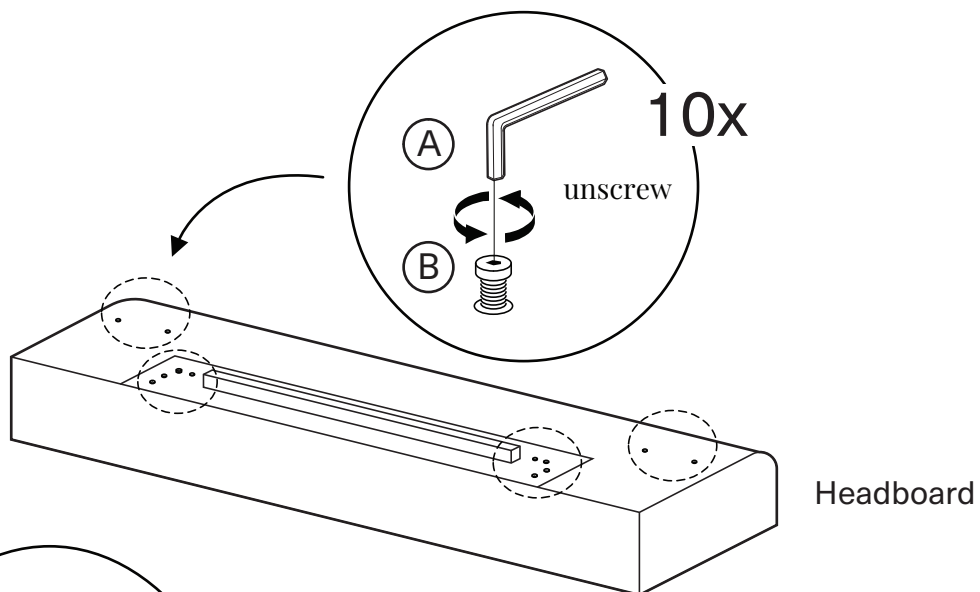
Triangular
Bracket
4 pcs



Note

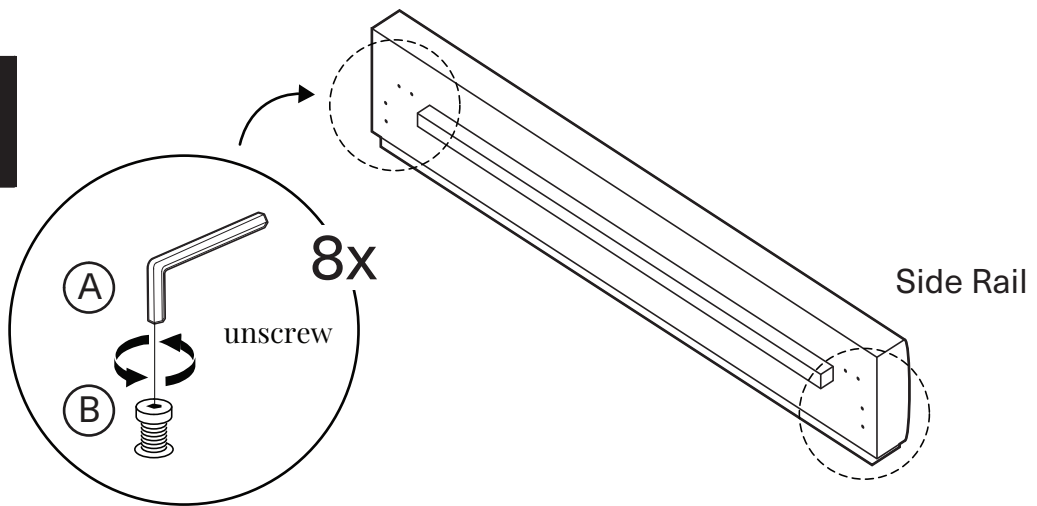
1. Please check that all required hardware for assembly, as listed in the instructions, is available before beginning assembly.
2. For safety and efficiency, it's best to have two or more people assist with assembly to handle heavy parts safely and collaborate effectively.
3. Do not discard any packaging materials until assembly is complete.
4. Before assembling the item, carefully read all provided instructions.
5. Handle tools with care during assembly to prevent injuries.
6. A drill may be used, but only on a LOW setting to avoid damage.

1

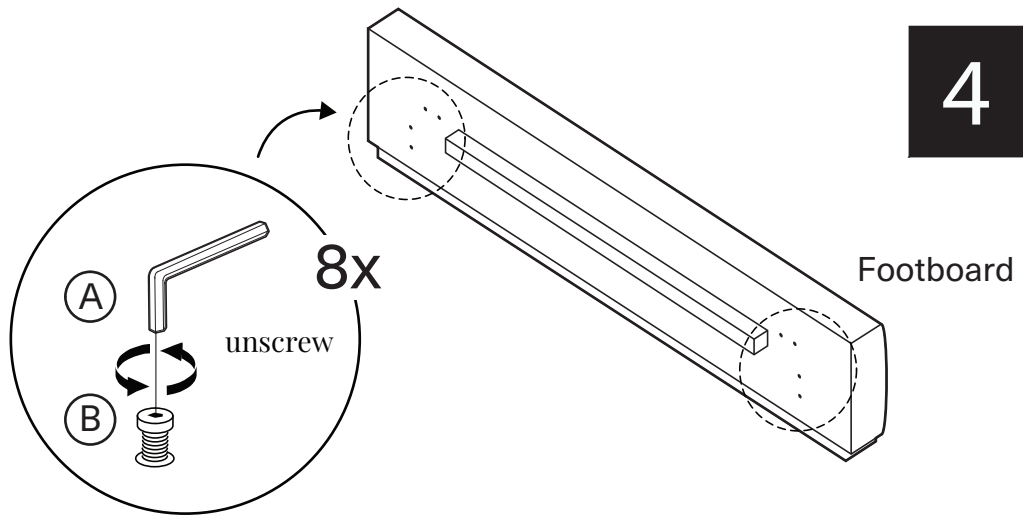


2

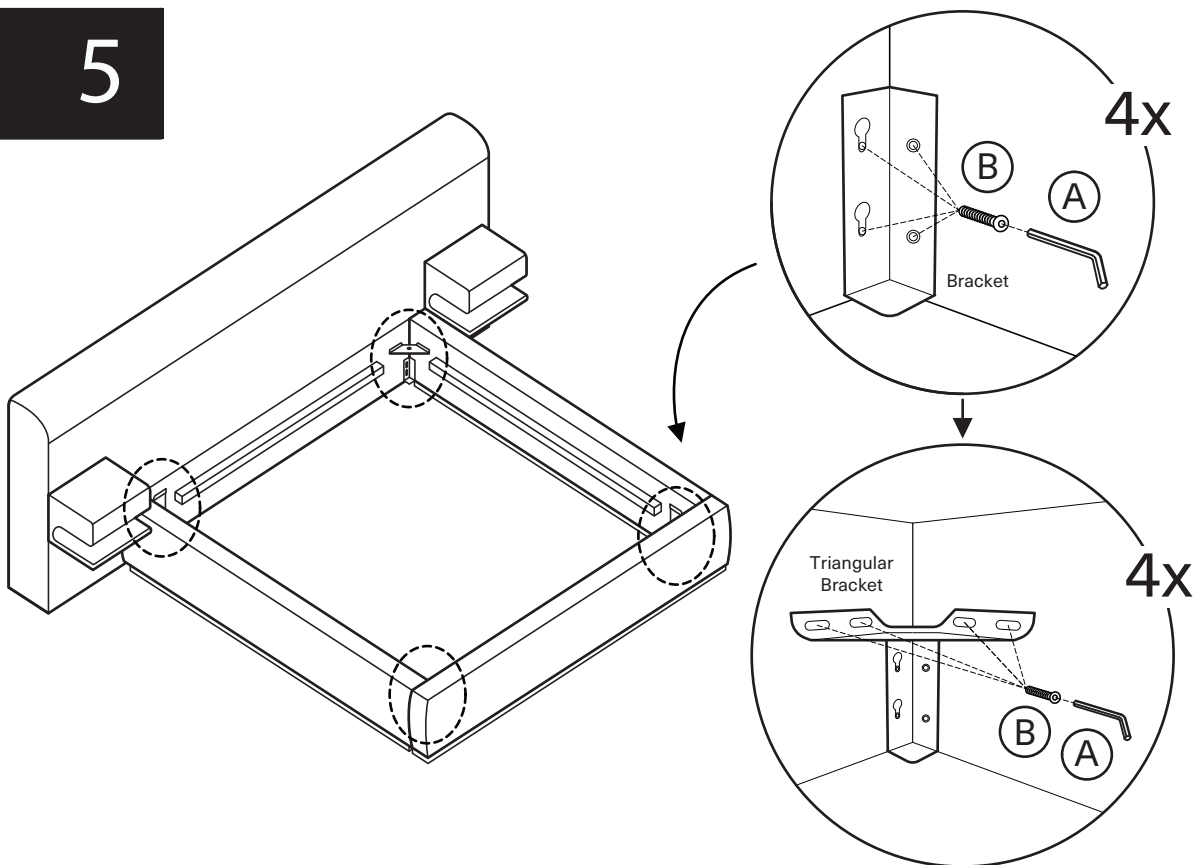
3



4

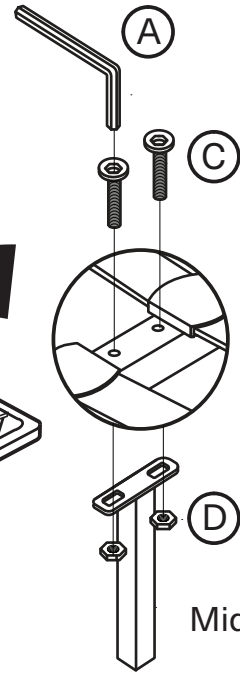
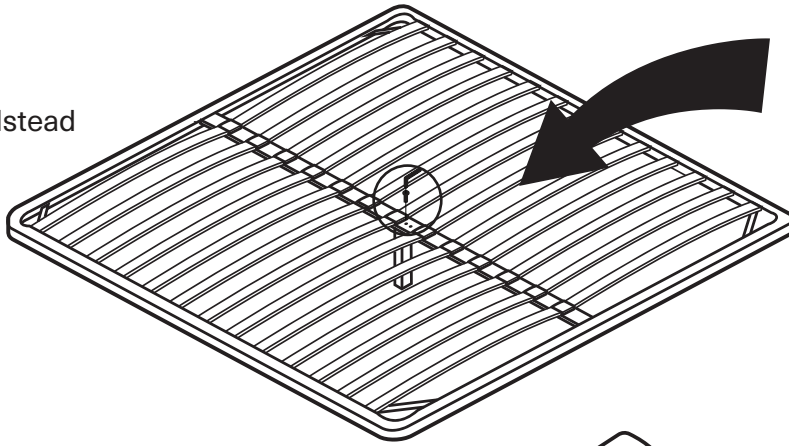


5



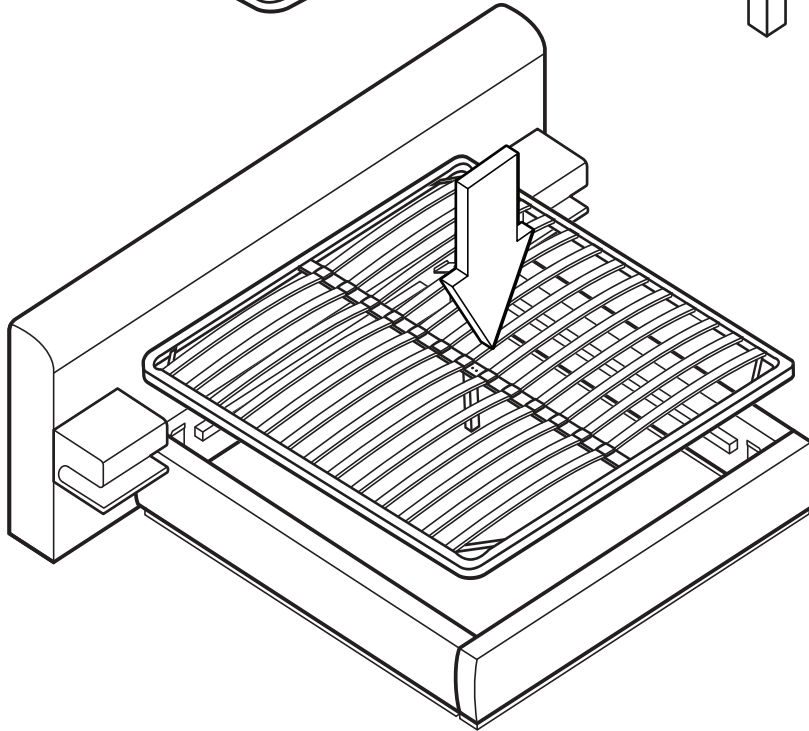
6

Bedstead



Middle Leg

7



8

