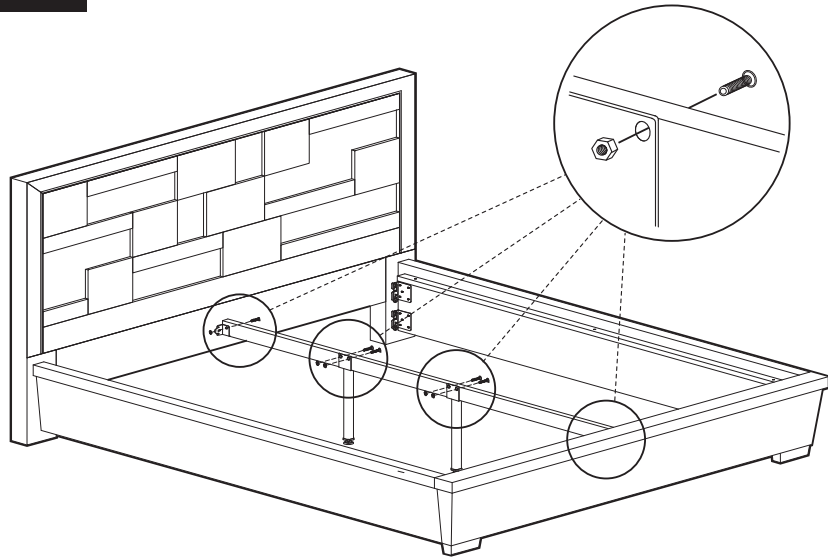
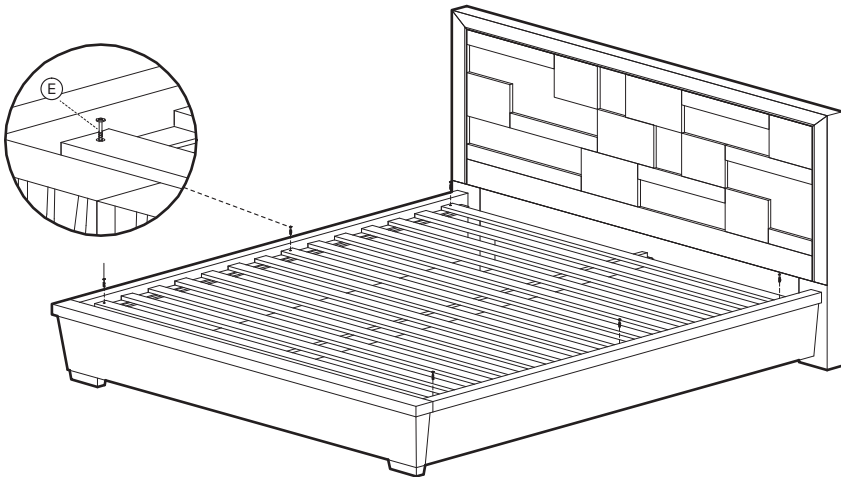


4



5



KOALA








L I V I N G

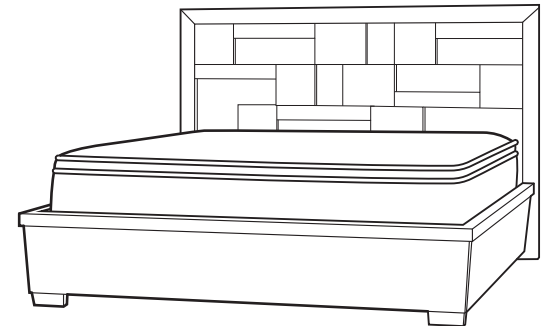
Assembly Instruction

Product Name: Montana Deep Brown Wooden Queen Bed

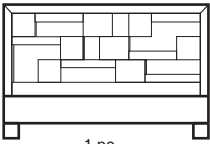


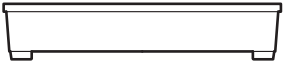

Product Id: 128644

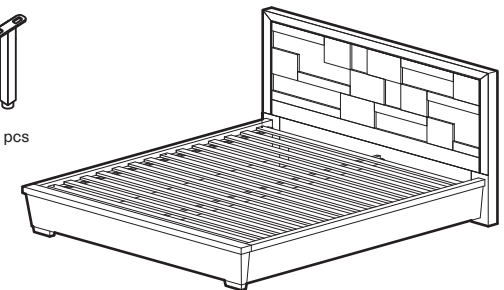
Hardware List

A		Metal "U" Bracket	2 pcs
B		C.B.S. M3.5X16	8 pcs
C		JCBC Bolt 6X40	6 pcs
D		Nut 5X6	6 pcs
E		C.B.S. M4X30	6 pcs
F		Nut Screw M8X16	16 pcs
G		Allen Key	1 pc



Part List

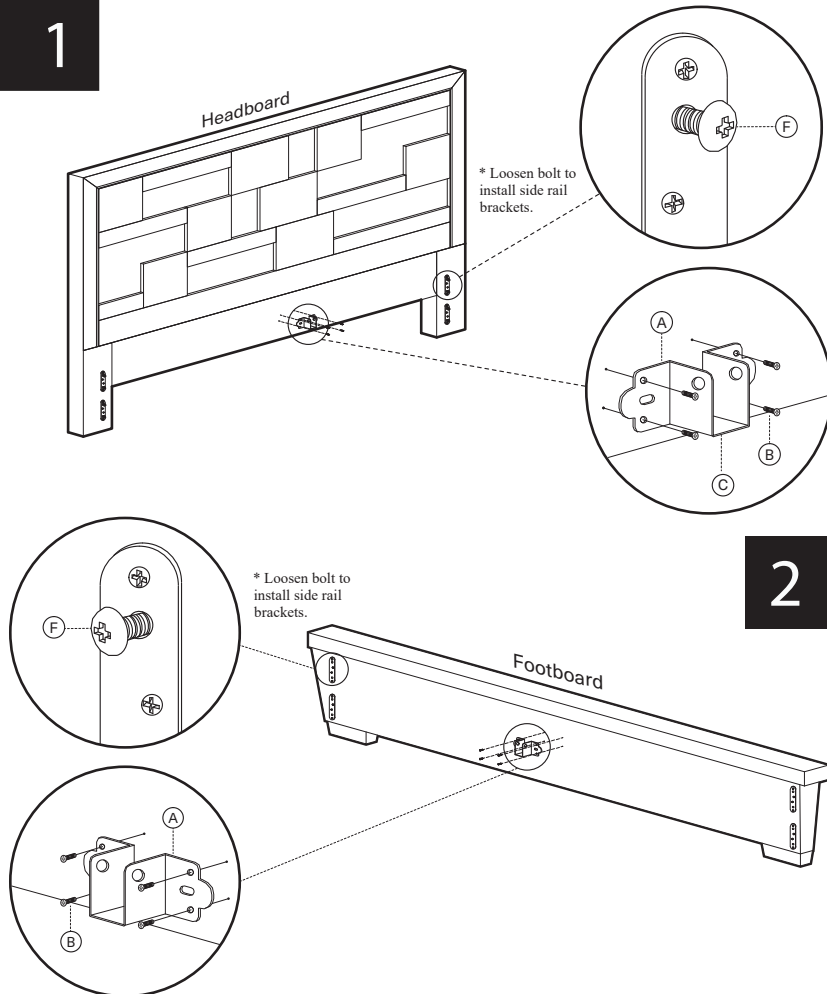
Headboard	Bedstead	Middle Leg	
			
1 pc	1 pc	2 pcs	
Footboard			
			
			1 pc
Side Rail			
			
			2 pcs



Note

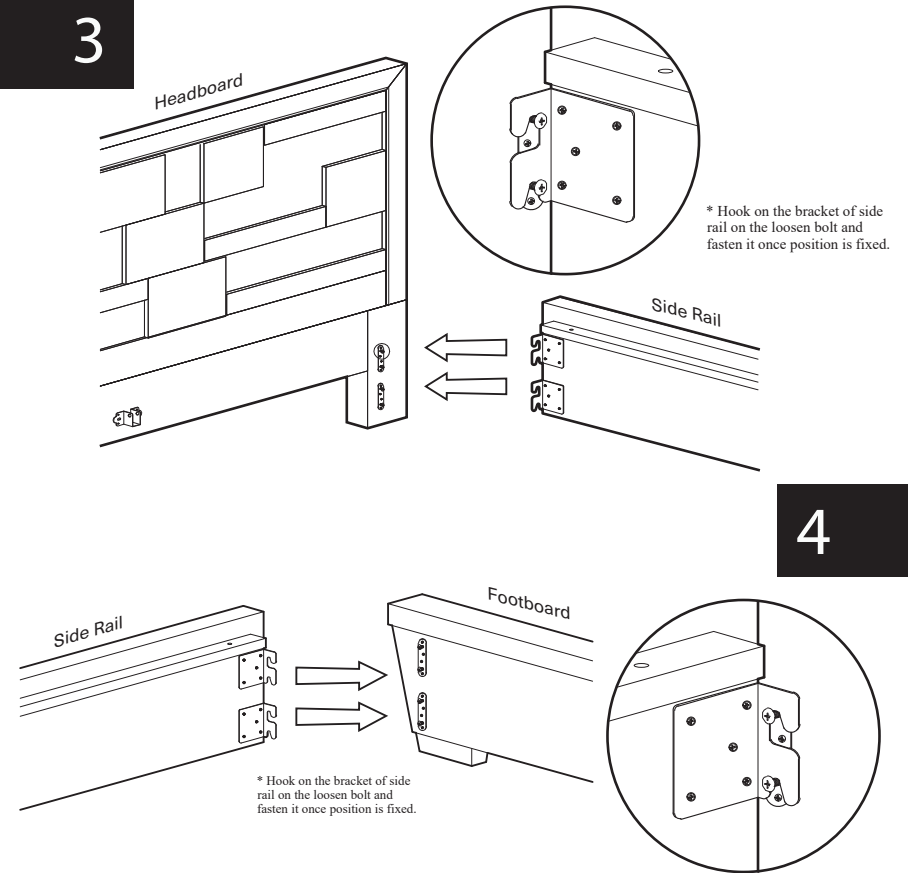
1. Assemble the item on a soft, well-lit surface like cardboard or carpet.
2. For safety and efficiency, it's best to have two or more people assist with assembly to handle heavy parts safely and collaborate effectively.
3. Keep all packaging materials intact until assembly is complete.
4. Before assembling the item, carefully read all provided instructions.
5. Handle tools with care during assembly to prevent injuries.

1



2

3



4

3

