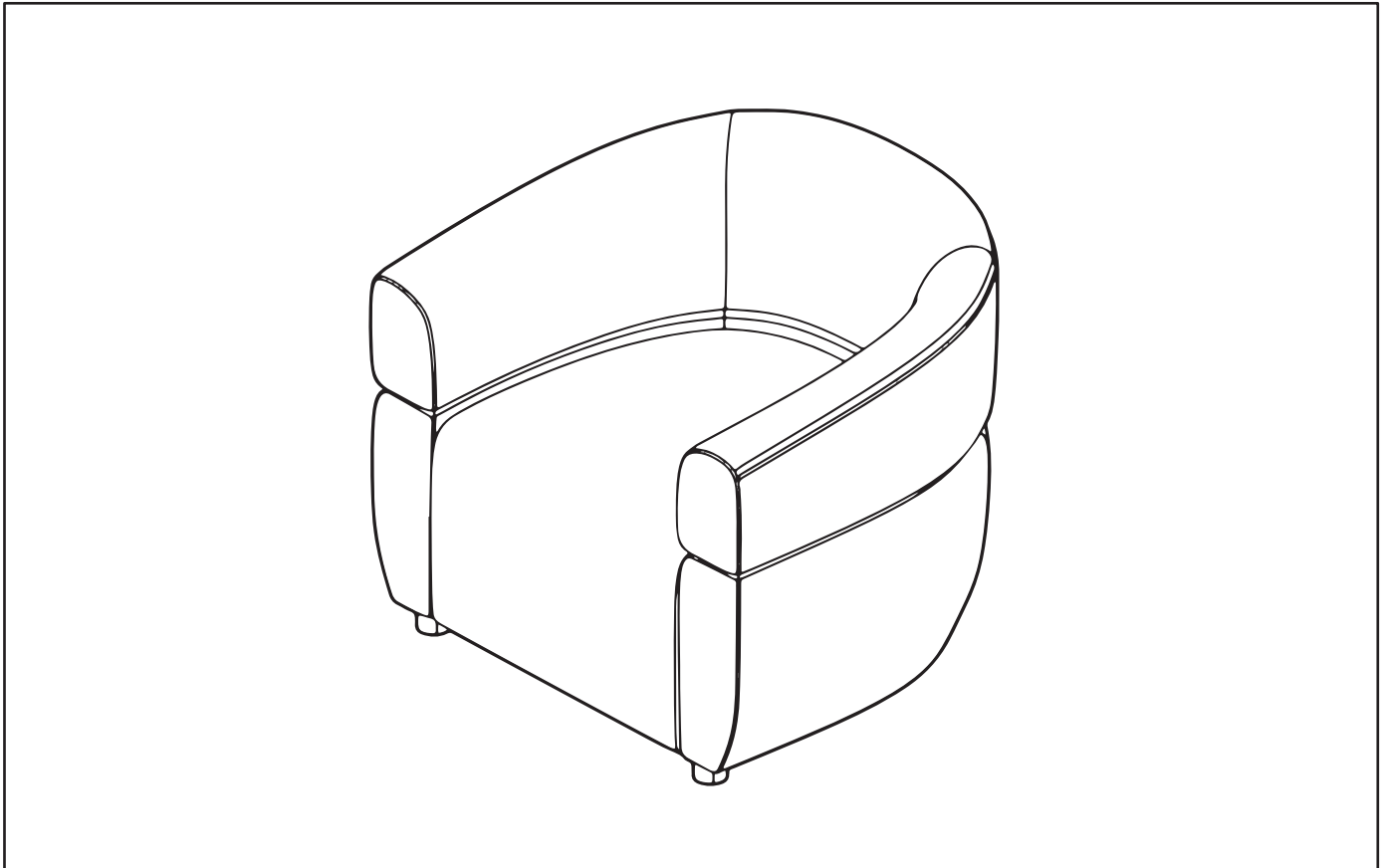


KOALA

L I V I N G

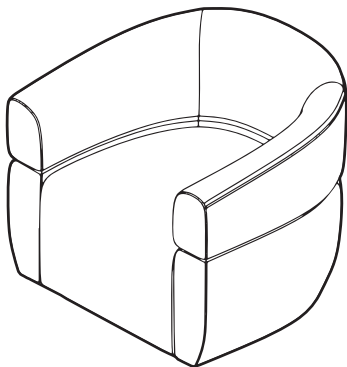
Assembly Instruction

Product Name: Malta II Occasional Chair



Parts List

(A)

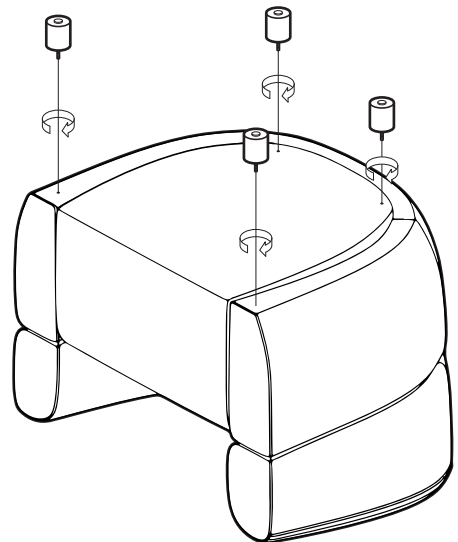


Occasional Chair
1 pc

(B)



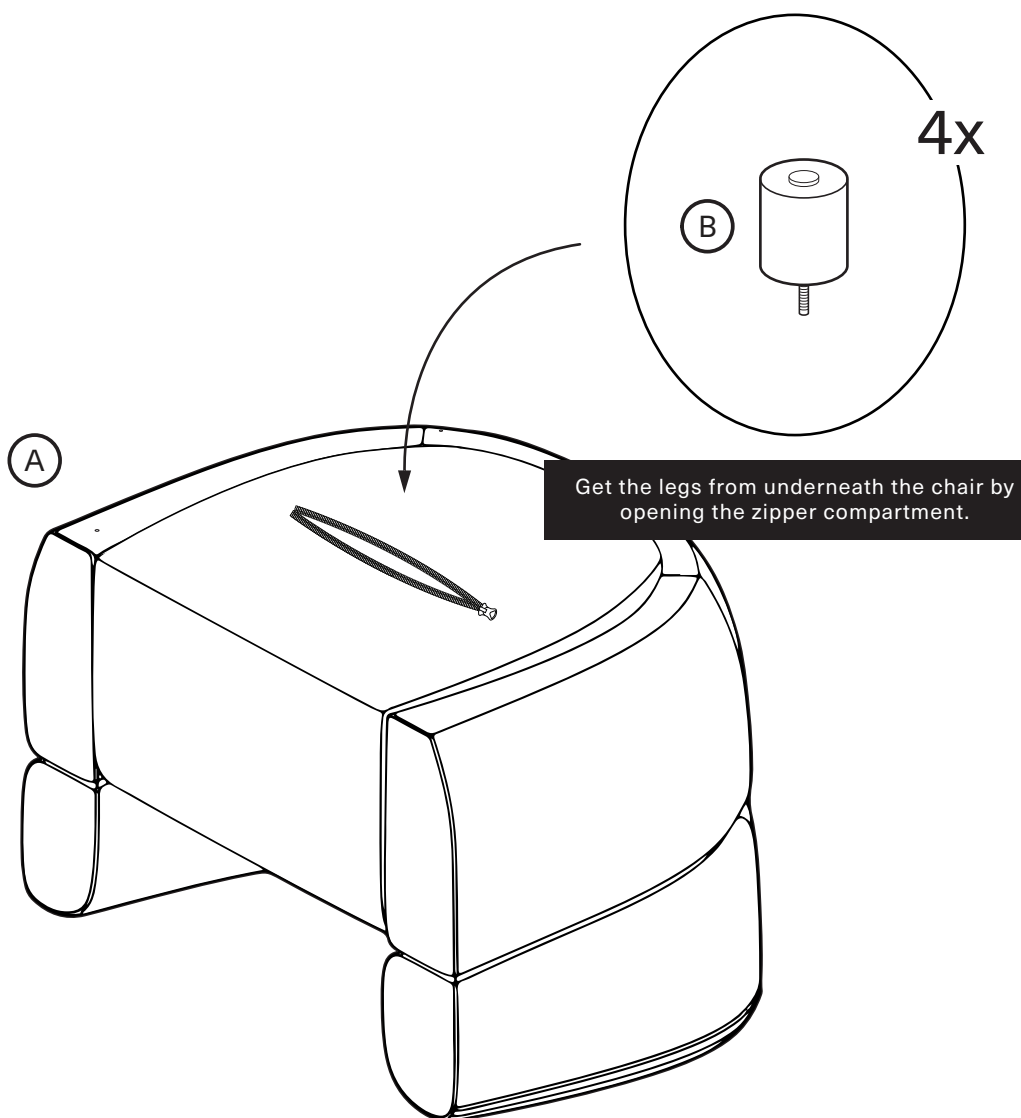
Leg
4 pcs



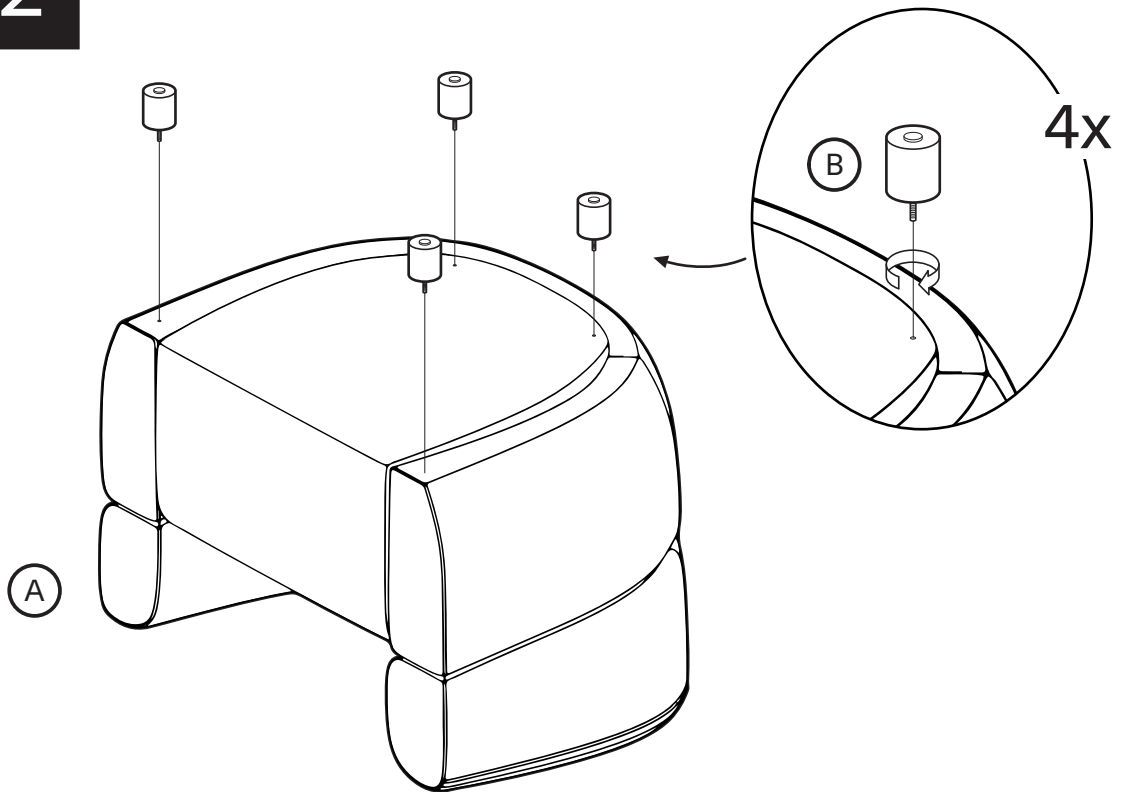
Note

1. Assemble the item on a soft, well-lit surface like cardboard or carpet.
2. For safety and efficiency, it's best to have two or more people assist with assembly to handle heavy parts safely and collaborate effectively.
3. Do not discard any packaging materials until assembly is complete.
4. Before assembling the item, carefully read all provided instructions.
5. Handle tools with care during assembly to prevent injuries.

1



2



3

