





KOALA

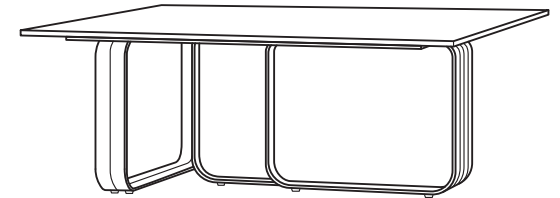
L I V I N G

Assembly Instruction

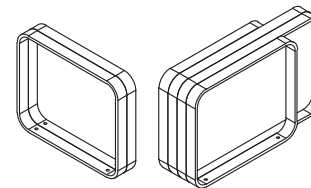
Product Name: Marbella Cold Calacatta White Sintered Stone Coffee Table - Brushed Gold Frame
Product Id: 128988

Hardware List

- | | | | |
|---|---|-------------------------|-------|
| A |  | Allen Key
24x65x5mm | 1 pc |
| B |  | Allen Bolt
16x20x8mm | 9 pcs |
| C |  | Washer
20x1x9mm | 9 pcs |
| D |  | Stopper
22x10x8mm | 4 pcs |

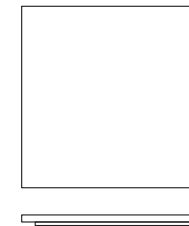


Part List

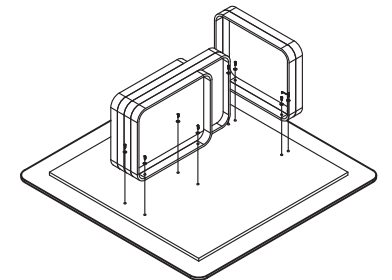


Side Base
1 pc

Base
1 pc



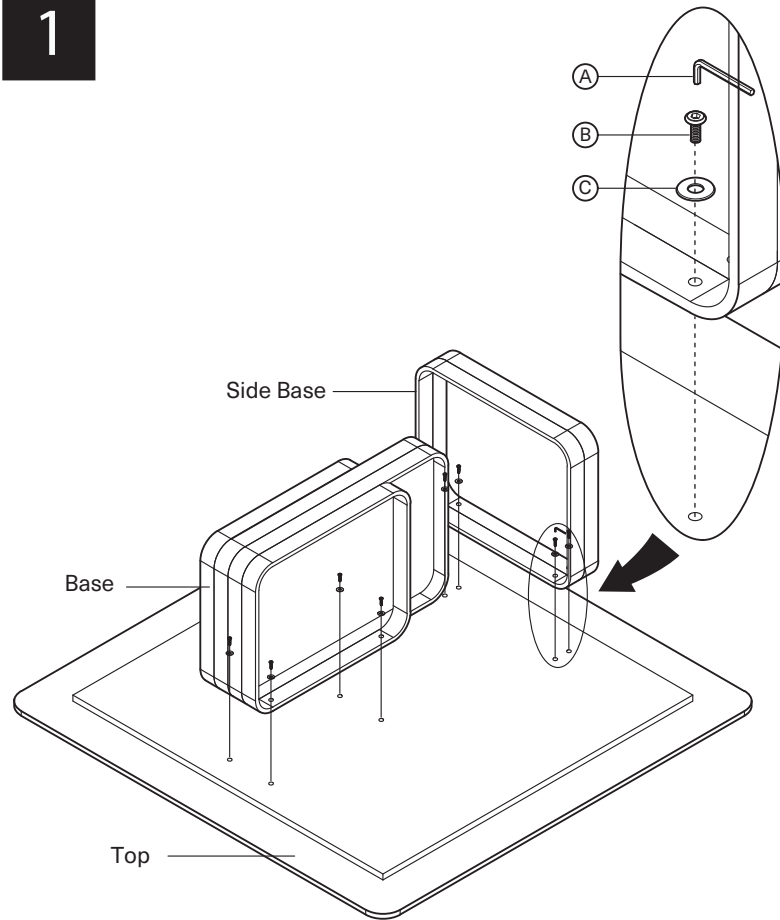
Top
1 pc



Note

1. Assemble the item on a soft, well-lit surface like cardboard or carpet.
2. For safety and efficiency, it's best to have two or more people assist with assembly to handle heavy parts safely and collaborate effectively.
3. Keep all packaging materials intact until assembly is complete.
4. Before assembling the item, carefully read all provided instructions.
5. Handle tools with care during assembly to prevent injuries.

1



2

