


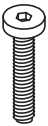
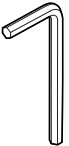
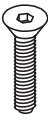
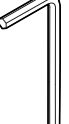
KOALA

L I V I N G

Assembly Instruction

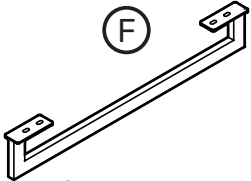
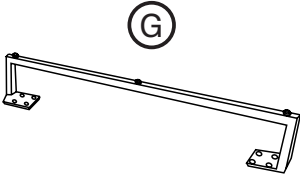
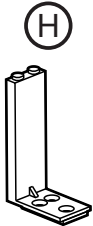
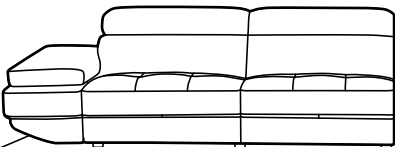
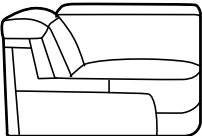
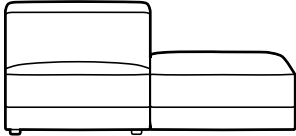
Product Name: Alessia Garden Green Leather Dual Electric Recliner Lounge - Left - Black Legs
 Product Id: 800016


Hardware List

A		Gasket Ø8*Ø17mm	24 pcs
B		Allen Bolt M8*35mm	24 pcs
C		Wrench 6mm	1 pc
D		Allen Bolt M8*35mm	3 pcs
E		Wrench 5mm	1 pc




Part List

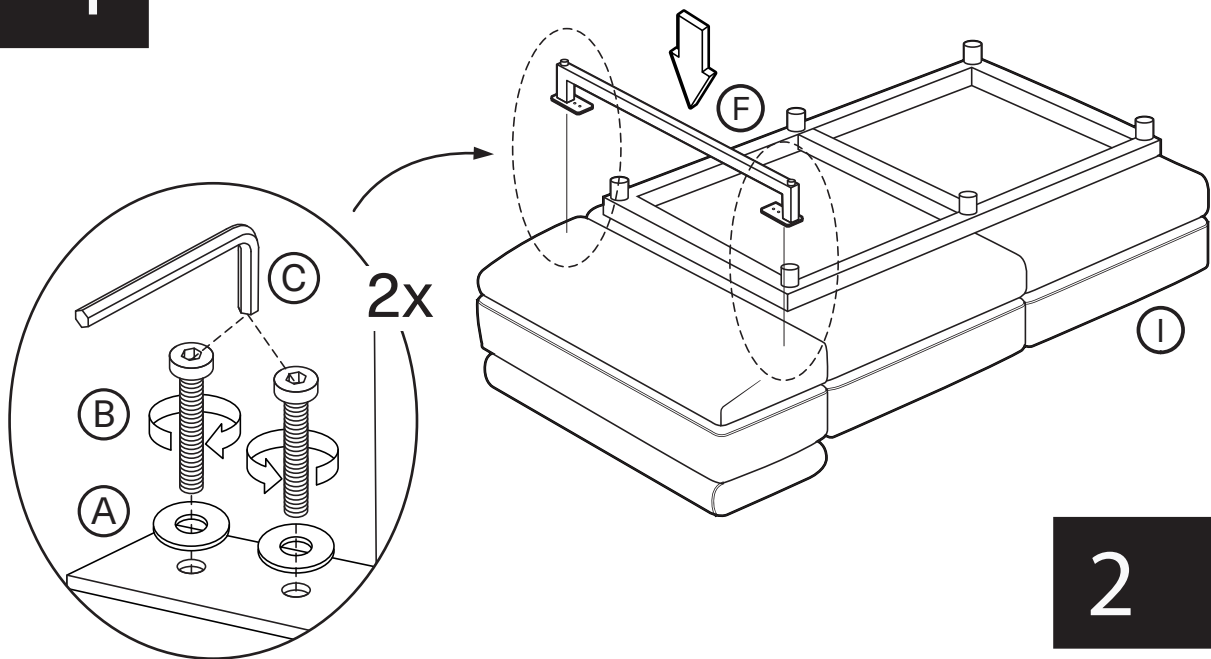
		
Sofa Feet 950x50x120mm - 2 pcs	Sofa Feet 610x60x120mm - 2 pcs	Sofa Feet 90x50x120MMx1PCS
		
1 pc	1 pc	1 pc



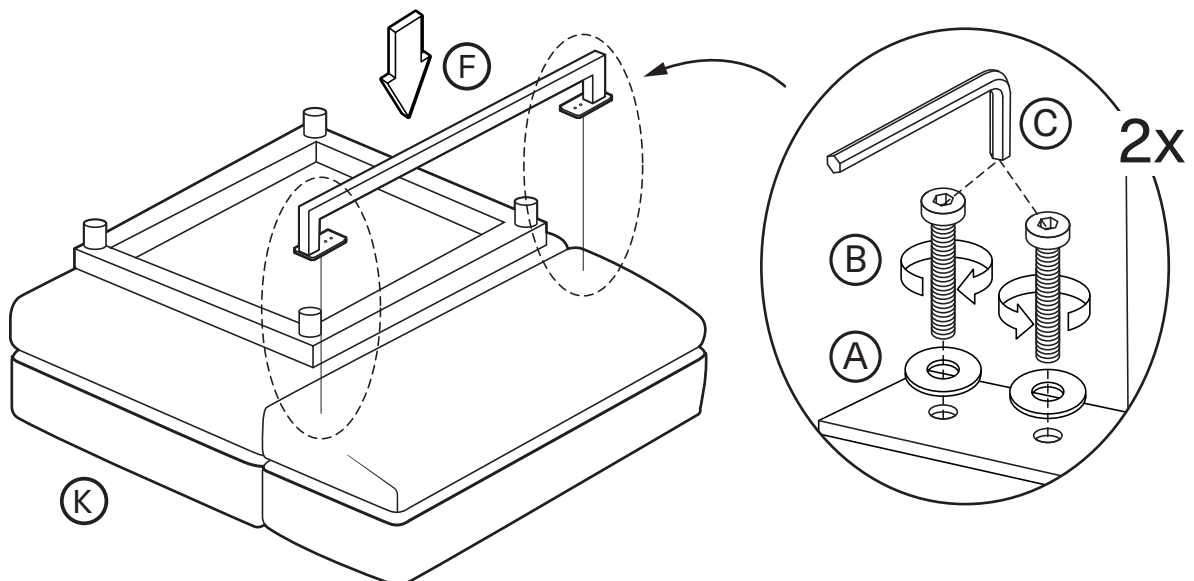
Note

1. Assemble the item on a soft, well-lit surface like cardboard or carpet.
2. For safety and efficiency, it's best to have two or more people assist with assembly to handle heavy parts safely and collaborate effectively.
3. Do not discard any packaging materials until assembly is complete.
4. Before assembling the item, carefully read all provided instructions.
5. Handle tools with care during assembly to prevent injuries.

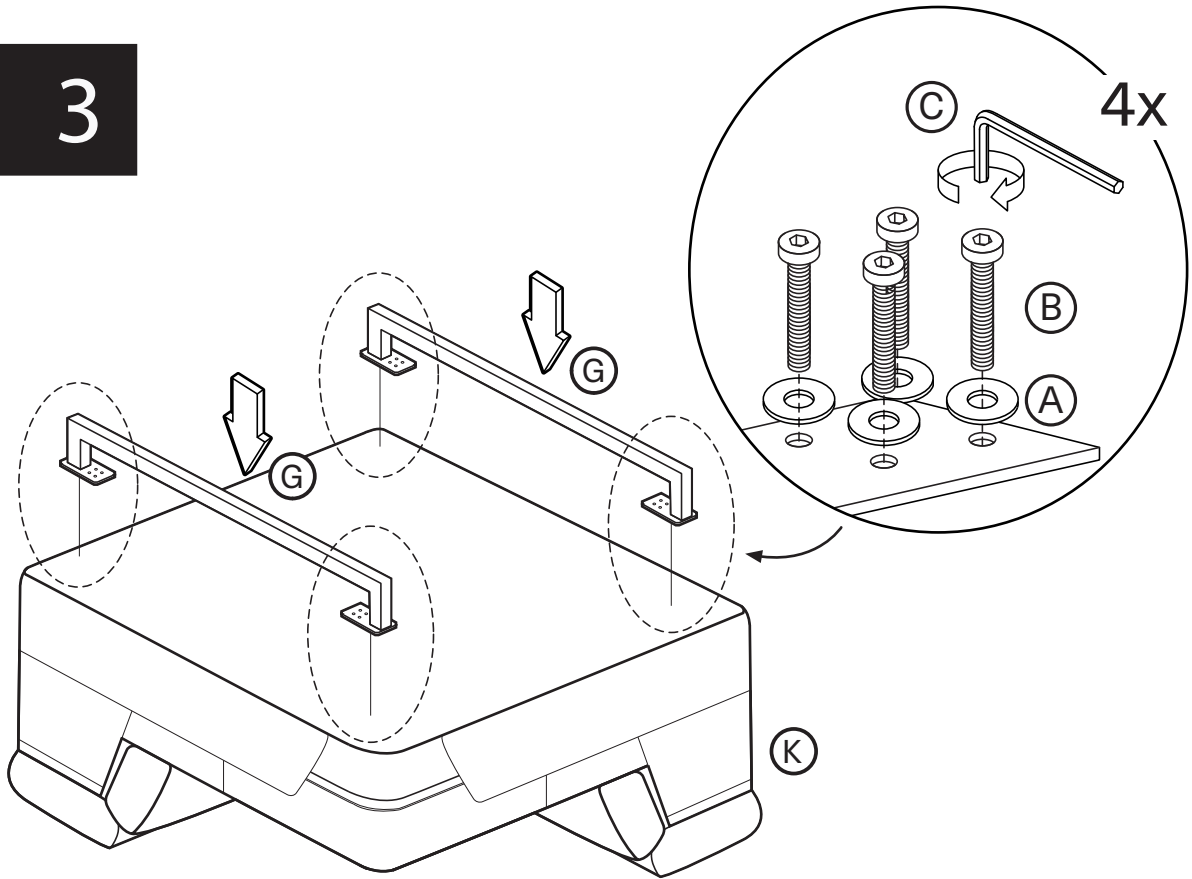
1



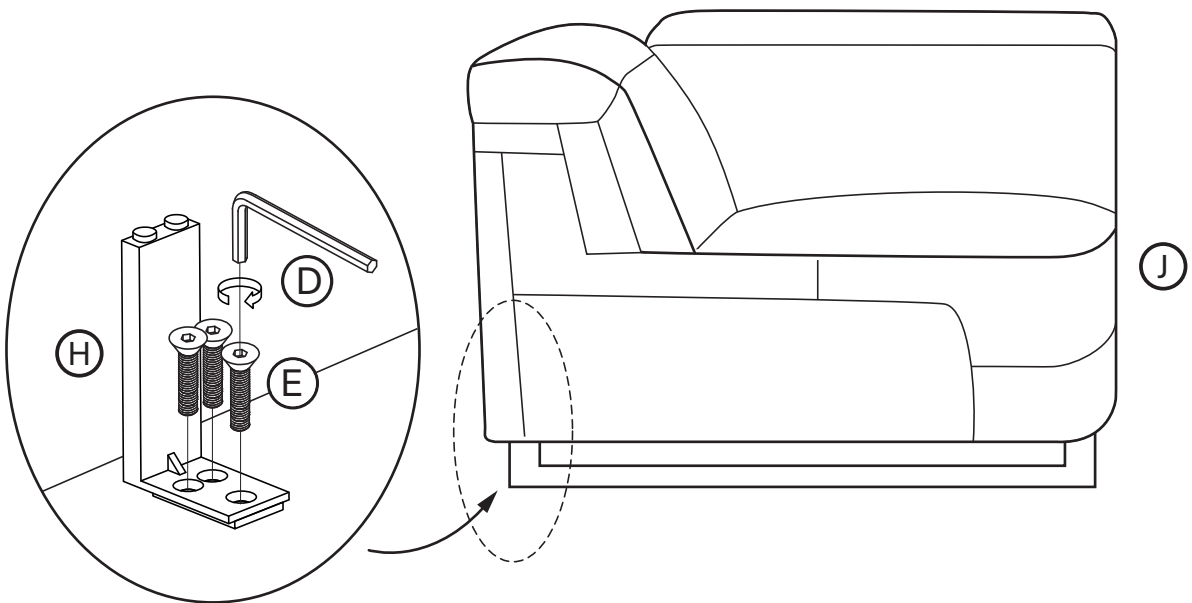
2



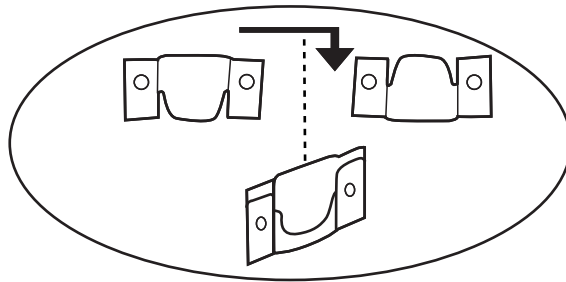
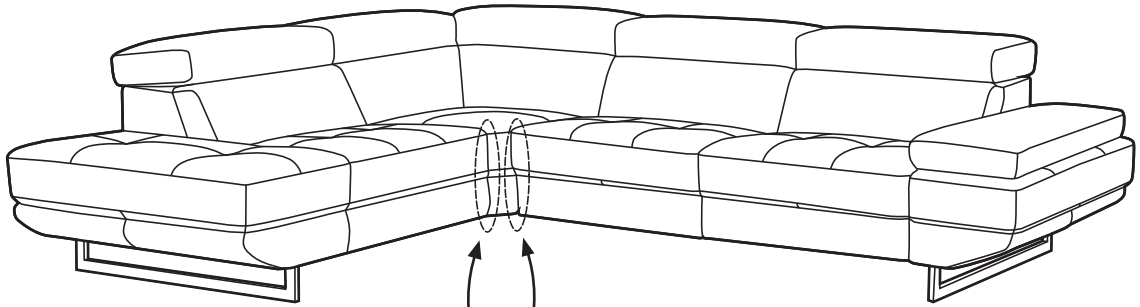
3



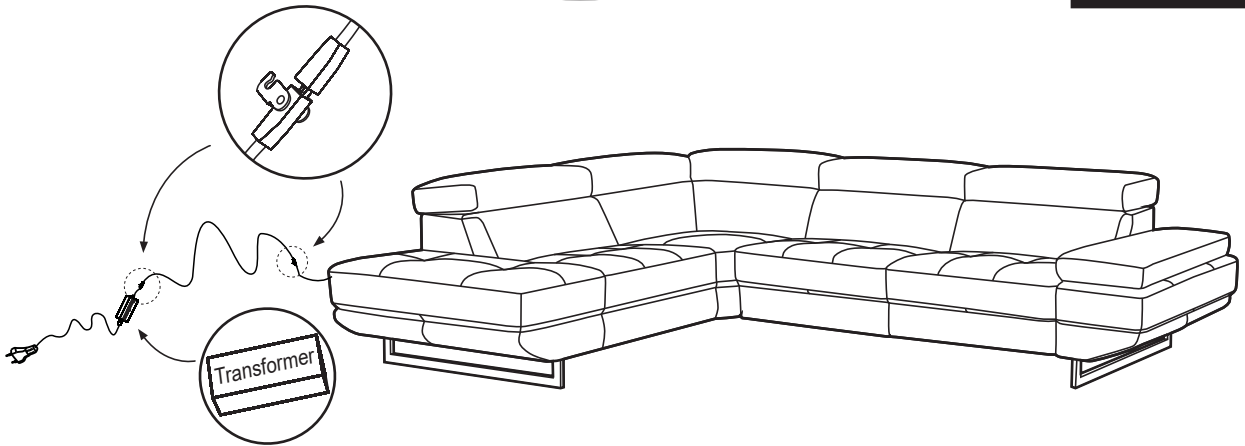
4



5



6



7

