

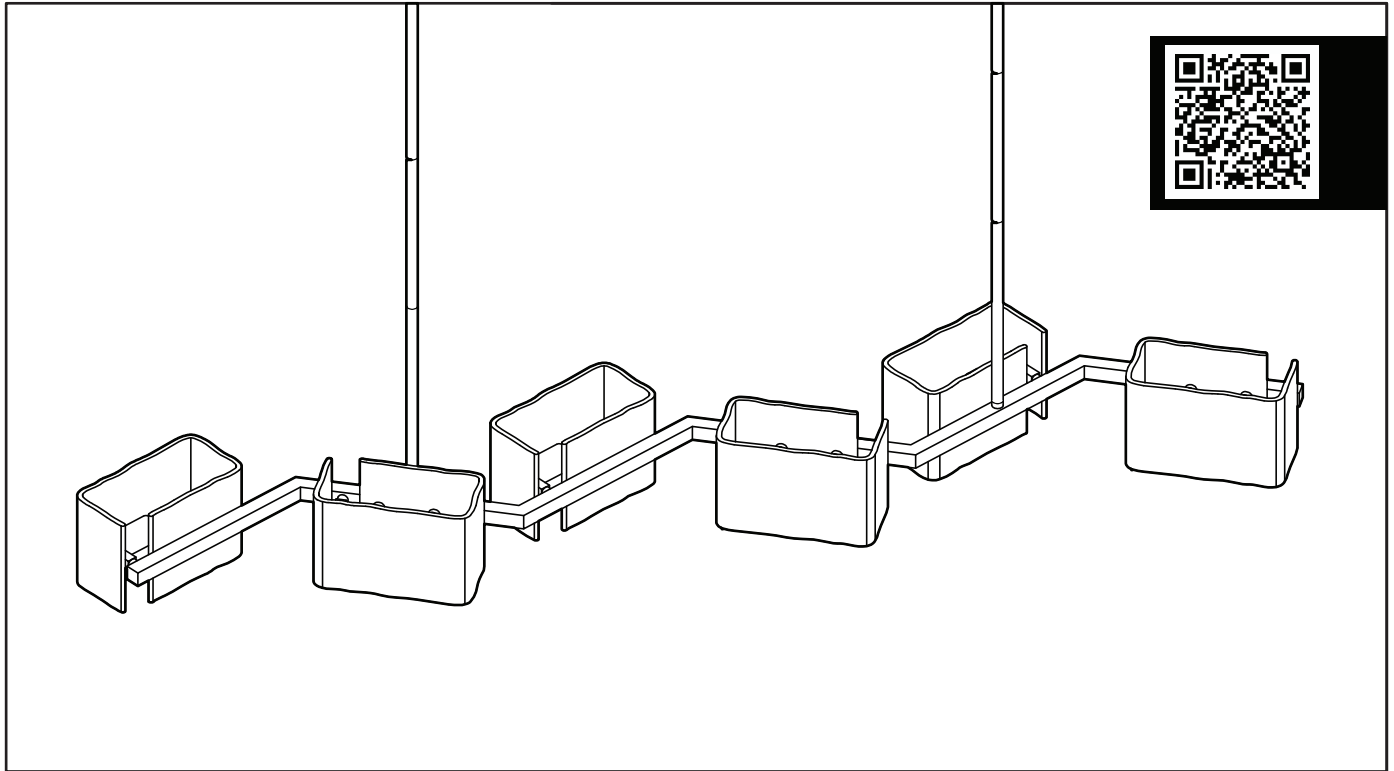
# KOALA

## L I V I N G

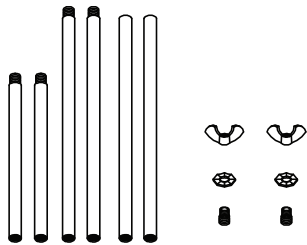
### Assembly Instruction

Product Name: Ricci Brushed Gold Glass Chandelier

Product Id: 129061

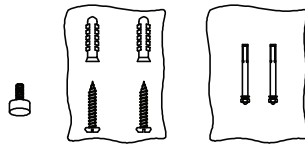


### Part List



K/D Tube — 6pcs

K/D tube 500mm \*4pcs  
 K/D tube 400mm \*2pcs  
 Screw-B \*2pcs  
 Wing nut + gasket \*2pcs  
 Screws-C 1pcs



Install Parts — 1 Set

Expansion screw (M6×60mm) \*2  
 Installation spare parts (2 bag — spare part)  
 Screws—C \*1 (spare part)

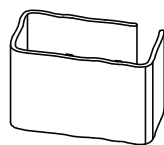


Canopy — 1pc

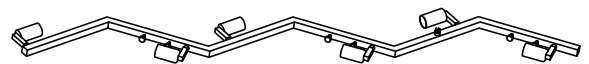


Mounting Plate — 1 Set

Mounting Plate \*1  
 Knurled Screw \*2



Glass Shade — 6 pcs

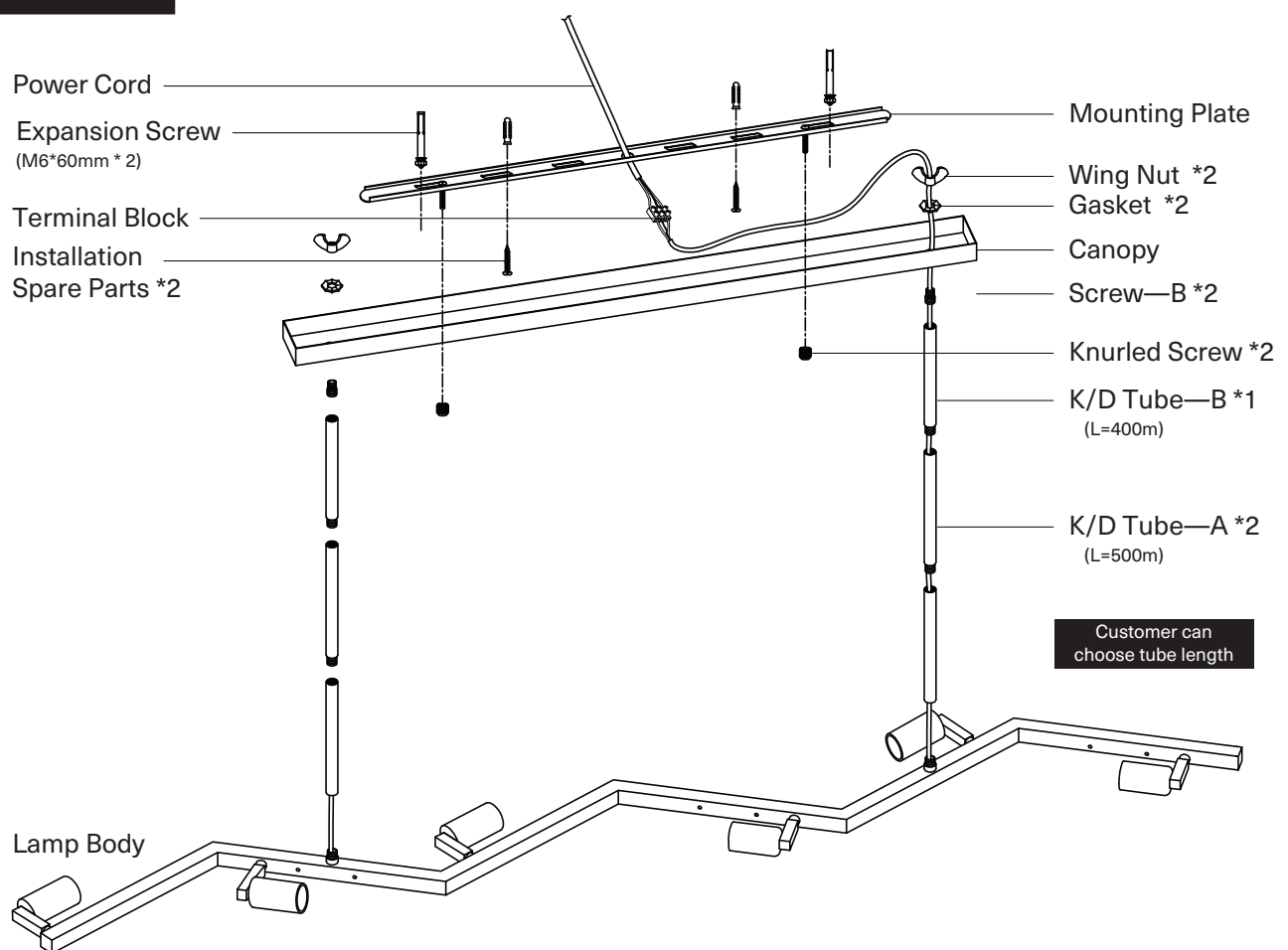


Lamp Body — 1 pcs

## Note

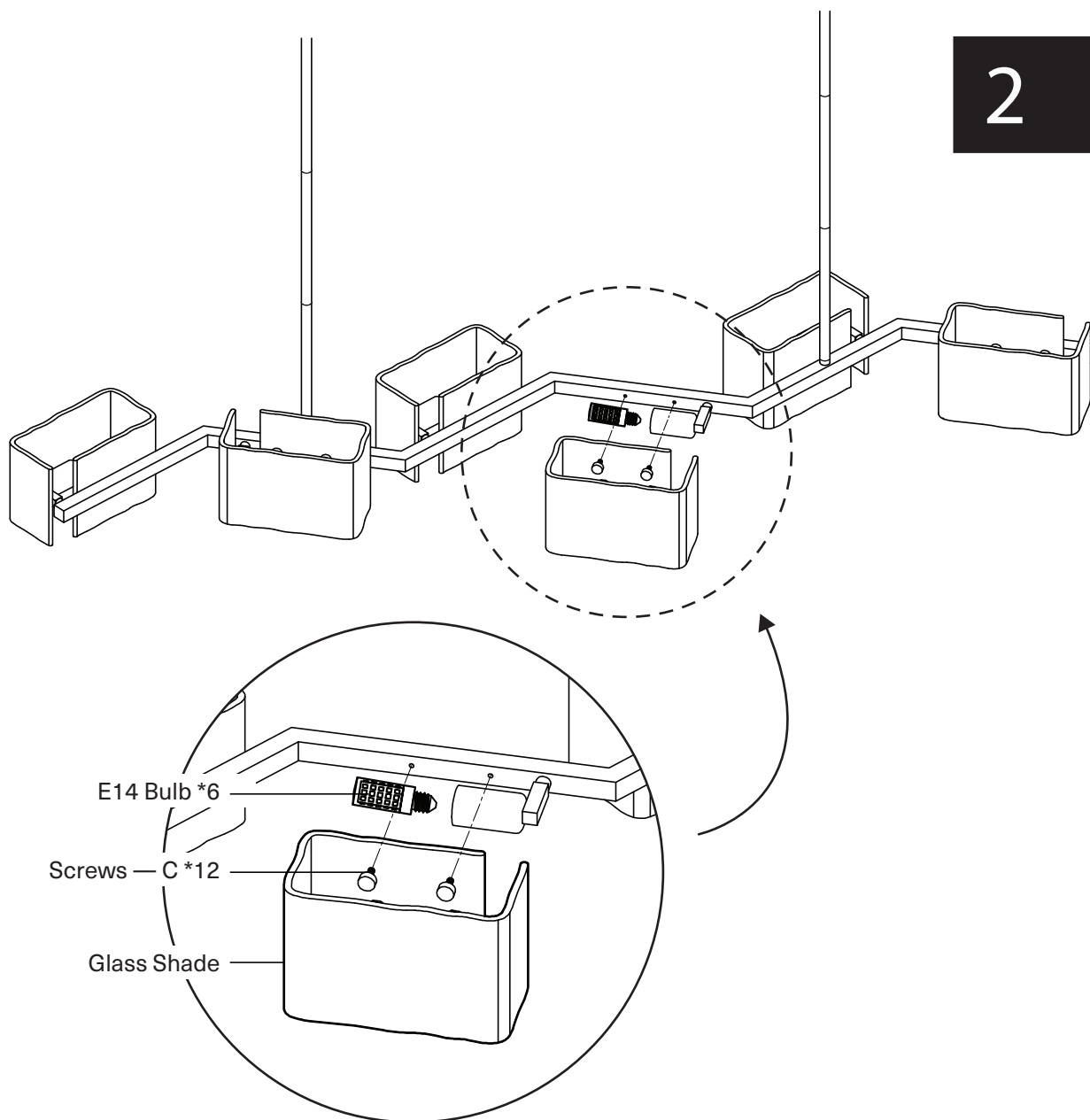
1. Turn off the main power supply before starting the installation.
2. For safety, it is recommended that two people assist during installation.
3. Carefully read all instructions and check that all parts are included before beginning installation.
4. Ensure all wire connections are secure and properly insulated.
5. Handle electrical wires and tools carefully to avoid damage or injury.
6. Do not restore power until the fixture is fully installed and securely mounted.

# 1



1. Take all parts out of the box and place them on the carpet or floor.
2. Install the expansion screws into the ceiling.
3. Attach the mounting plate to the expansion screws using tapping screws.
4. Attach tube A to the lamp body. Install other tubes the same way.
5. Insert screw B, place the canopy, and secure with wing nut and gasket.
6. Connect wires to the terminal block (ensure power is OFF).

2



7. Lift the canopy, cover the mounting plate, and tighten the knurled screws.
8. Install the light bulb (not included).
9. Attach the glass shade to the lamp using screws C.

**230-240V a.c, 50Hz 6\*E14; Max.25W**

If the external flexible cable or cord this luminaire is damaged, it shall be exclusively replaced by the manufacturer or his service agent or a similar qualified person in order to avoid a hazard.

