

# KOALA

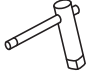






L I V I N G

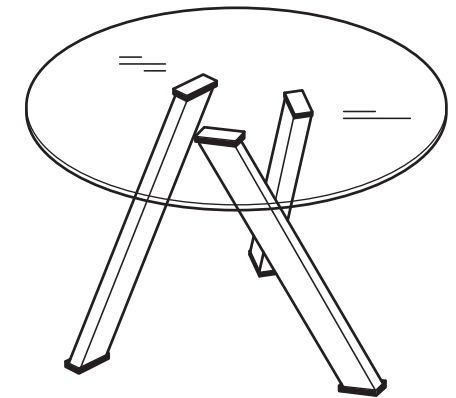
## Assembly Instruction

Product Name: Jutta Glass 120cm Dining Table - Antique Brass Colour Legs

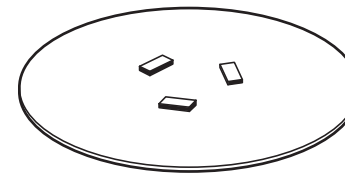
Product Id: 127668

### Hardware List

- |   |   |                       |        |
|---|---|-----------------------|--------|
| A |  | Spanner               | 1 pc   |
| B |  | Nut                   | 3 pcs  |
| C |  | Spring Washer         | 3 pcs  |
| D |  | Washer                | 3 pcs  |
| E |  | Allen Key             | 1 pc   |
| F |  | Allen Bolt<br>M6*15mm | 6 pcs  |
| G |  | Allen Bolt<br>M6*12mm | 12 pcs |



### Part List



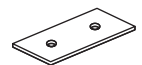
1pc



3pcs



3pcs

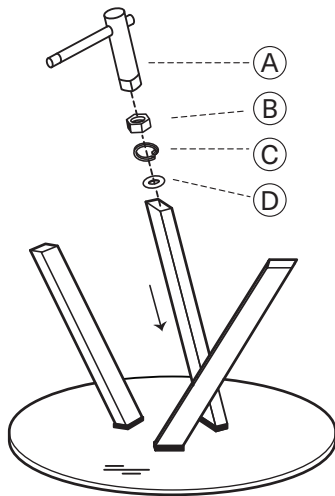
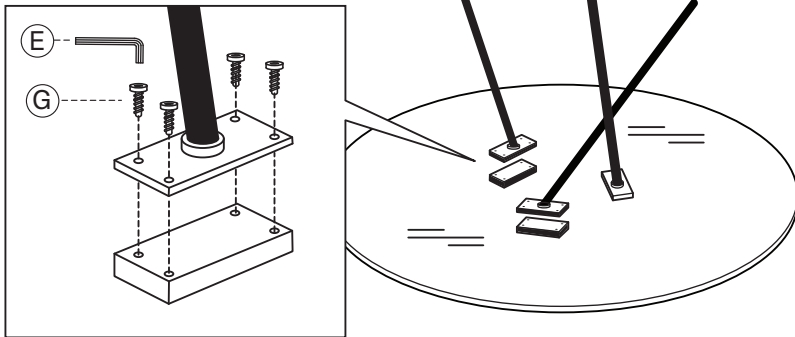


3pcs

## Note

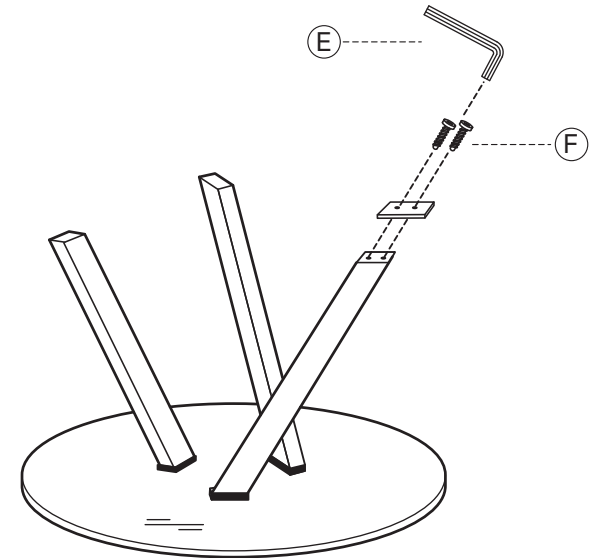
1. Assemble the item on a soft, well-lit surface like cardboard or carpet.
2. For safety and efficiency, it's best to have two or more people assist with assembly to handle heavy parts safely and collaborate effectively.
3. Keep all packaging materials intact until assembly is complete.
4. Before assembling the item, carefully read all provided instructions.
5. Handle tools with care during assembly to prevent injuries.

1



2

3



4

