

KOALA


L I V I N G


Assembly Instruction

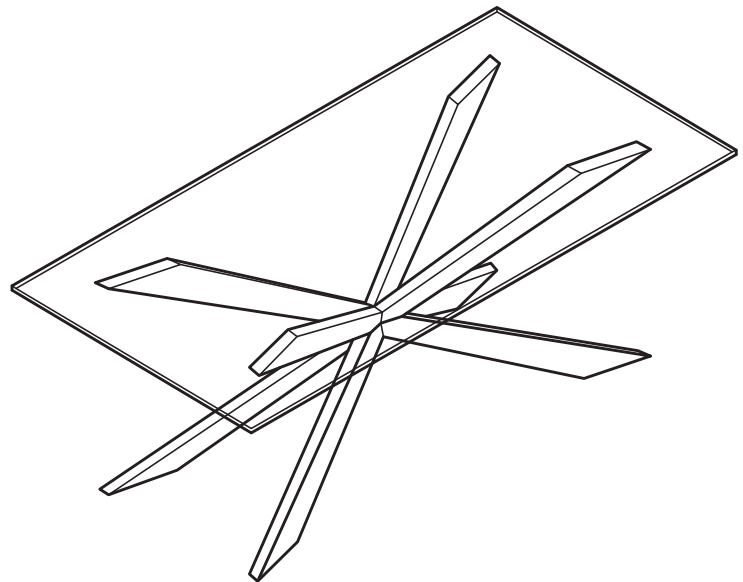
Product Name: Lena Polished Stainless Steel Dining Table - Glass Top

Product Id: 125846

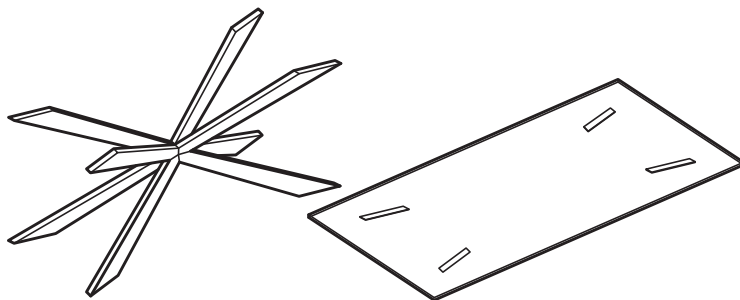
Hardware List

A  Sucker 8 pcs
Ø6

B  Stopper 4 pcs
Ø2*M6*18

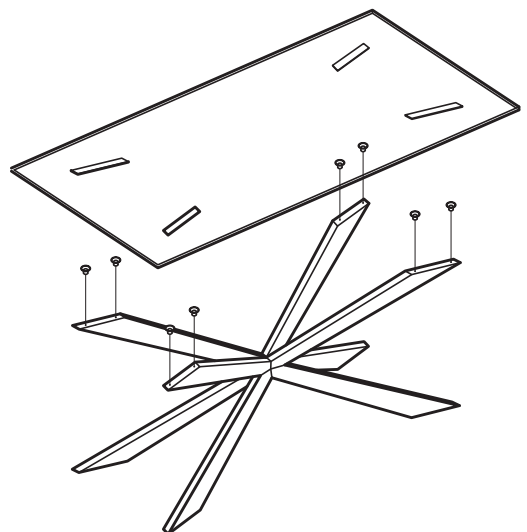


Part List



Legs
1 pc

Top
1 pc



Note

1. Assemble the item on a soft, well-lit surface like cardboard or carpet.
2. For safety and efficiency, it's best to have two or more people assist with assembly to handle heavy parts safely and collaborate effectively.
3. Keep all packaging materials intact until assembly is complete.
4. Before assembling the item, carefully read all provided instructions.
5. Handle tools with care during assembly to prevent injuries.

1

