

KOALA







L I V I N G

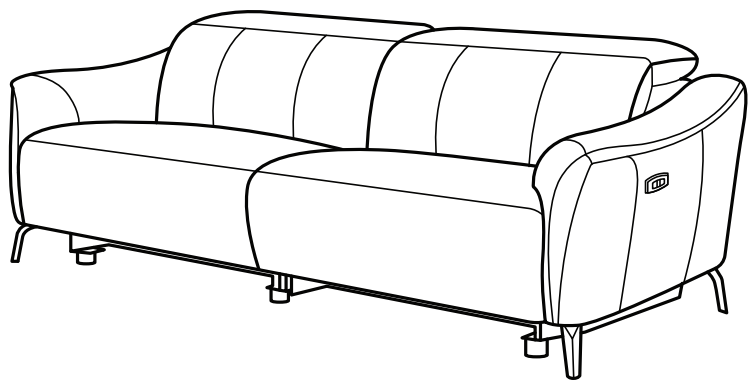
Assembly Instruction

Product Name: Carolina Black Leather 3 - Seater Electric Recliner

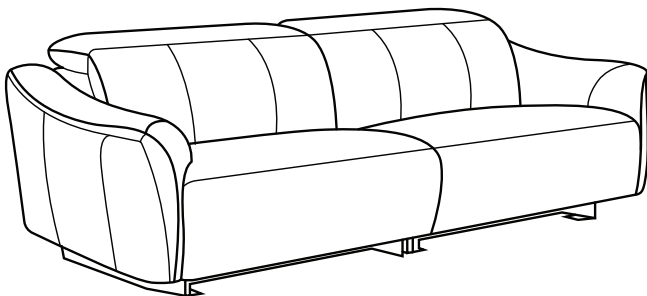
Product Id: 126735

Hardware List

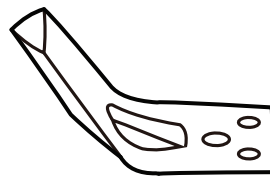
A		Allen Key 28x77mm	1 pc
B		Allen Key 28x77mm	1 pc
C		Allen Bolt 10x30mm	4 pcs
D		Allen Bolt 4x30mm	8 pcs
E		Allen Bolt 6x25mm	3 pcs
F		Bracket	3 pcs



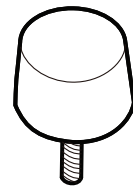
Part List



3 Seater Sofa
1 pc



Leg
4 pcs

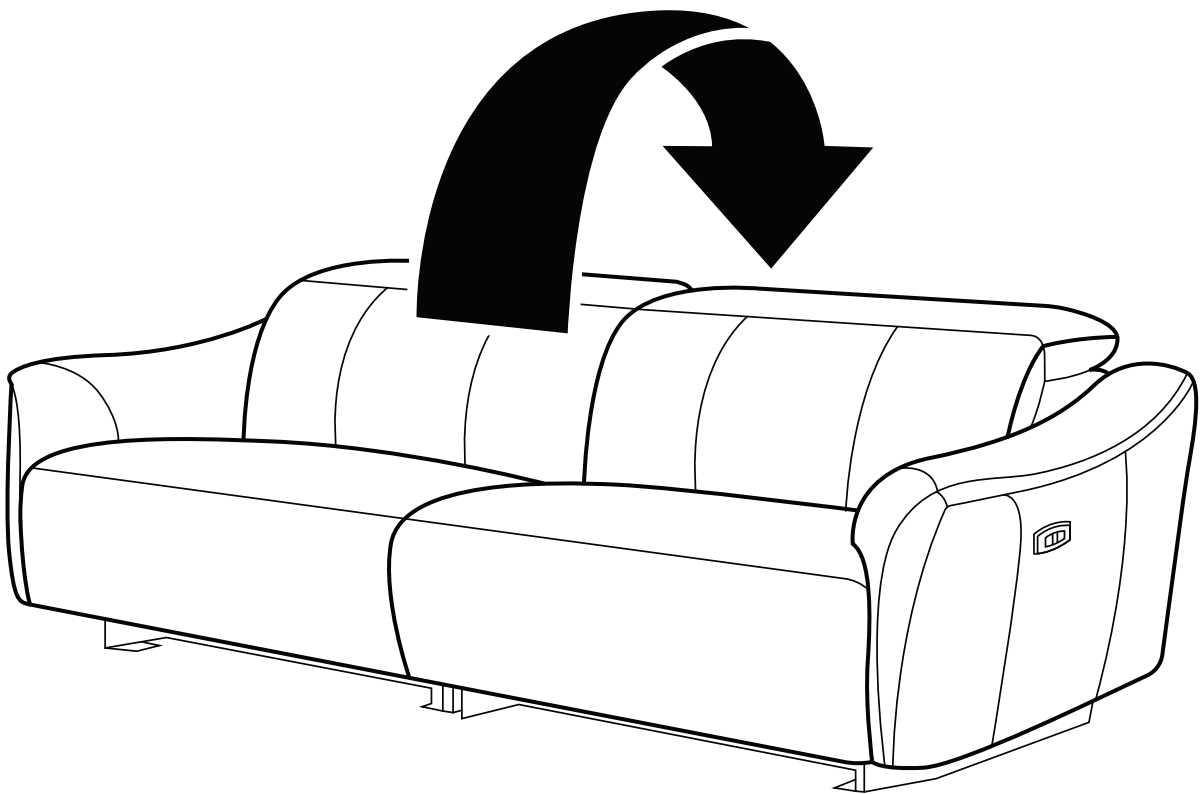


Support Leg
3 pc

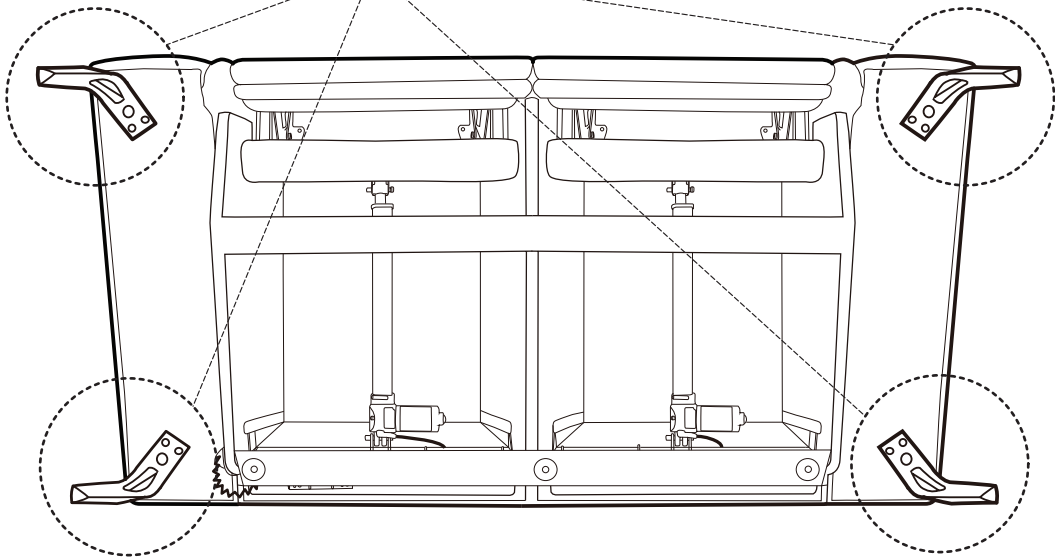
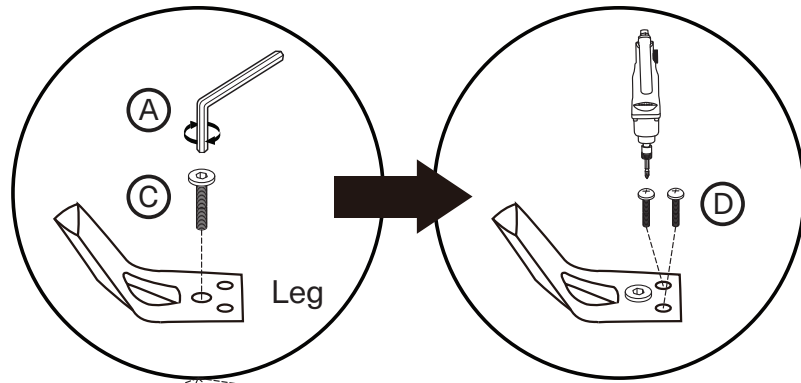
Note

1. Assemble the item on a soft, well-lit surface like cardboard or carpet.
2. For safety and efficiency, it's best to have two or more people assist with assembly to handle heavy parts safely and collaborate effectively.
3. Keep all packaging materials intact until assembly is complete.
4. Before assembling the item, carefully read all provided instructions.
5. Handle tools with care during assembly to prevent injuries.

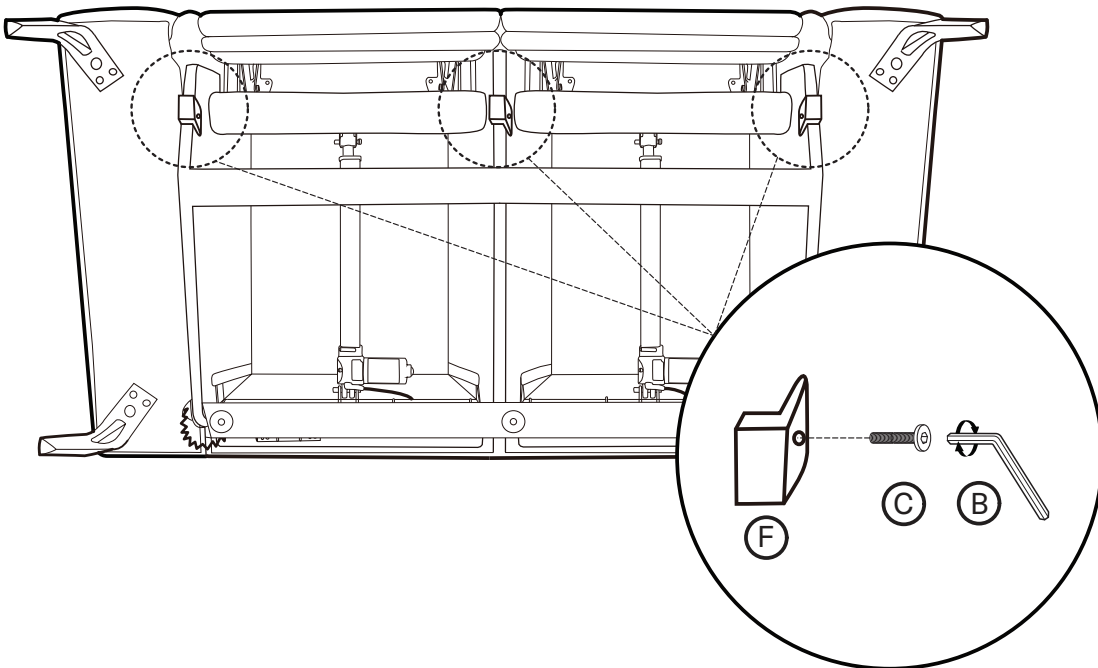
1



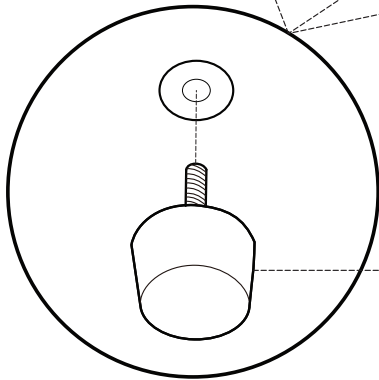
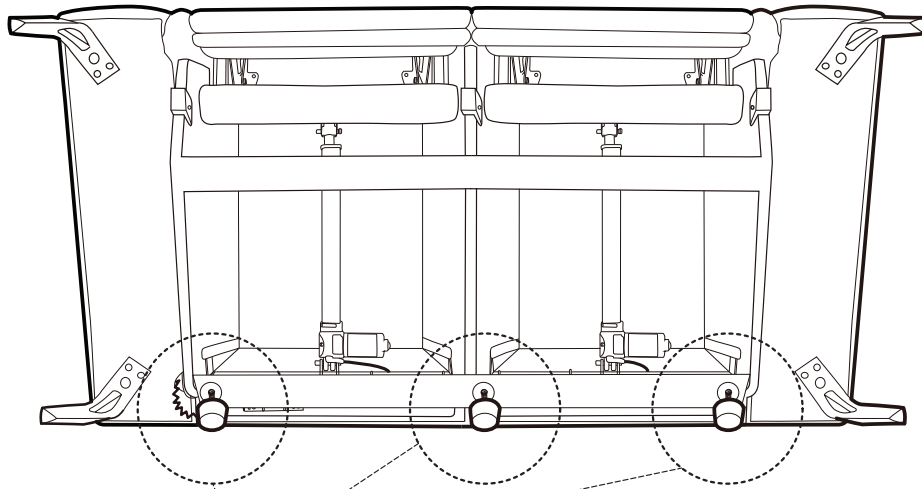
2



3



4



Support Leg

5

