

KOALA






L I V I N G

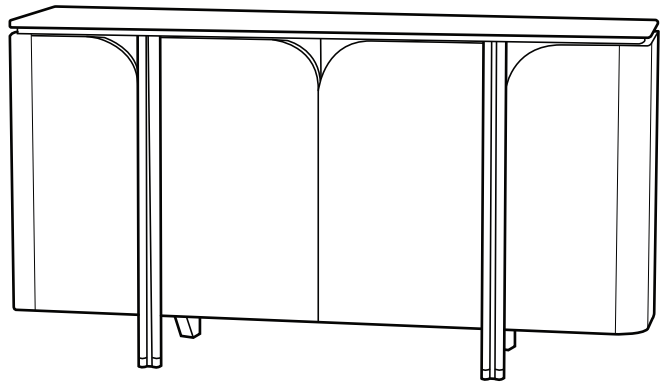
Assembly Instruction

Product Name: Portobello Light Brown Ash Veneer Sideboard
Pandora Brown Sintered Stone Top

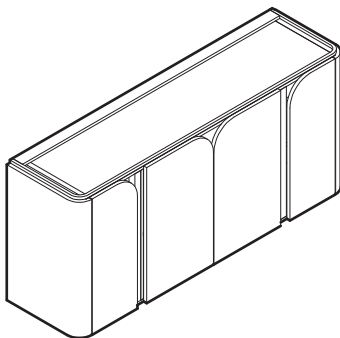
Product Id: 129097

Hardware List

- | | | | |
|---|---|----------------------|-------|
| A |  | Allen Key
4mm | 1 pc |
| B |  | Allen Bolt
M6*25 | 8 pcs |
| C |  | Allen Bolt
6*16 | 8 pcs |
| D |  | Wood Dowel
8*30 | 8 pcs |
| E |  | Self tapping
4*40 | 8 pcs |



Part List



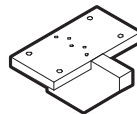
Sideboard Base
1 pc



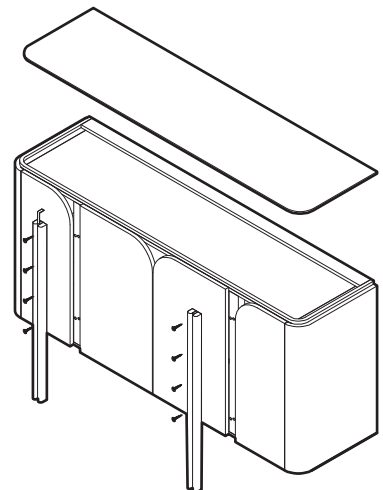
Top
1 pc



Support
2 pcs



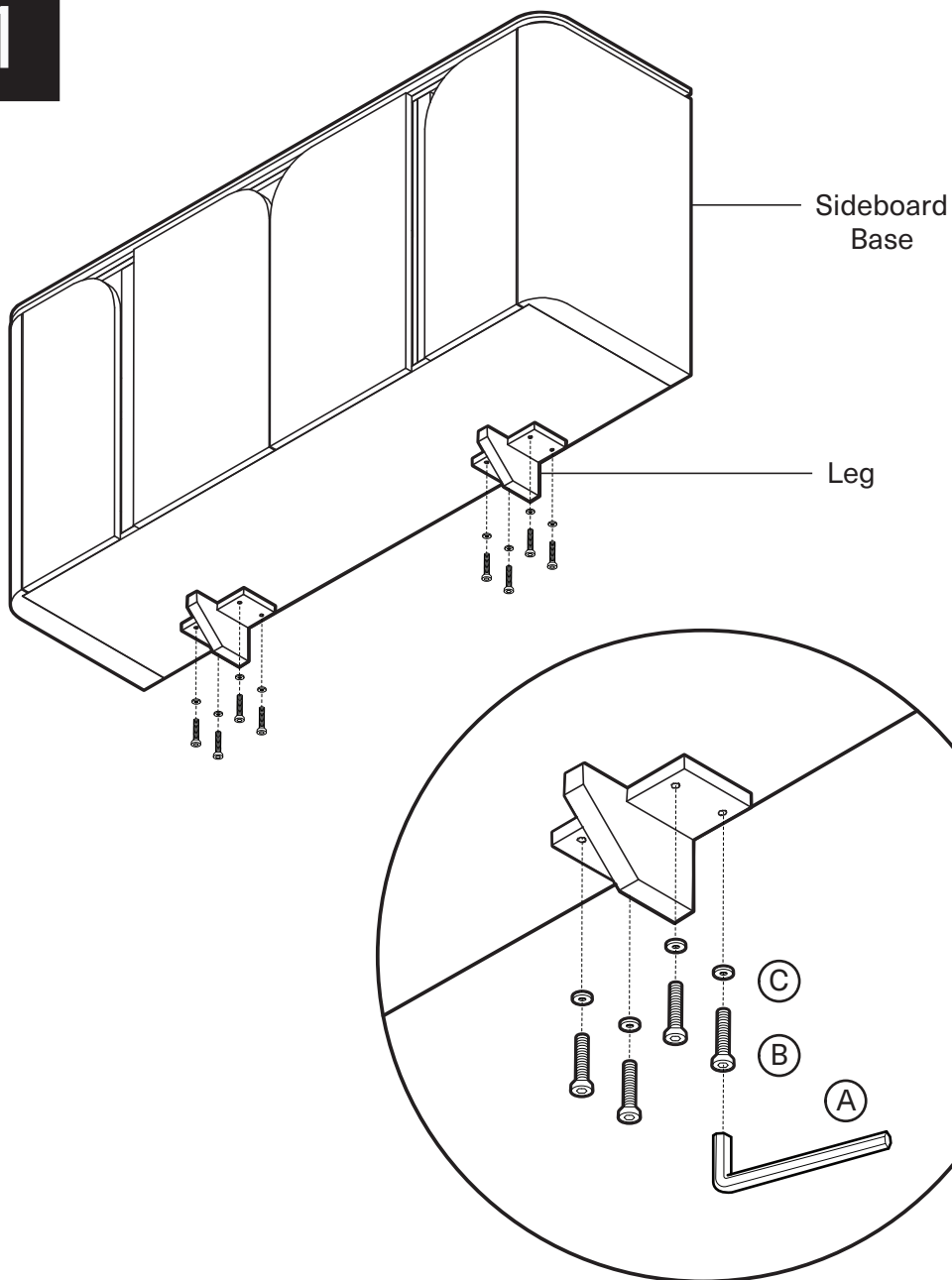
Leg
2 pcs



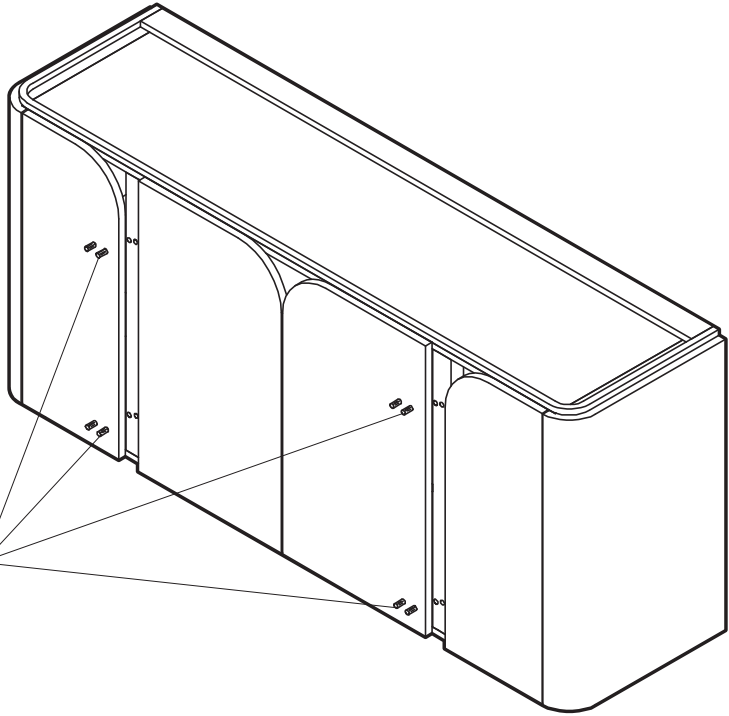
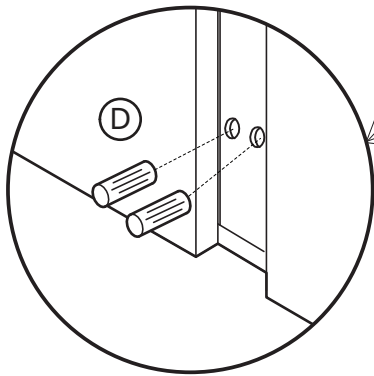
Note

1. Assemble the item on a soft, well-lit surface like cardboard or carpet.
2. For safety and efficiency, it's best to have two or more people assist with assembly to handle heavy parts safely and collaborate effectively.
3. Keep all packaging materials intact until assembly is complete.
4. Before assembling the item, carefully read all provided instructions.
5. Handle tools with care during assembly to prevent injuries.

1

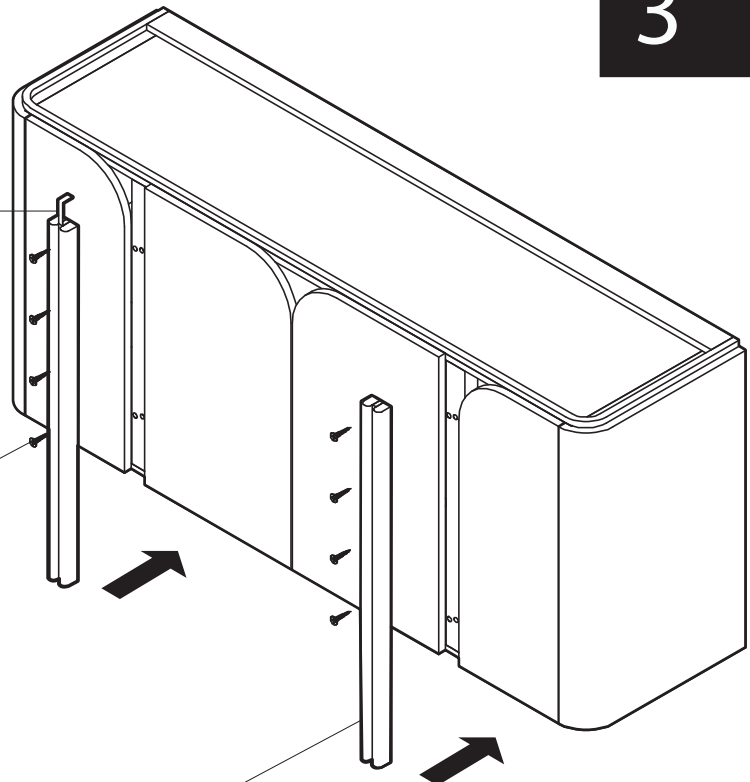
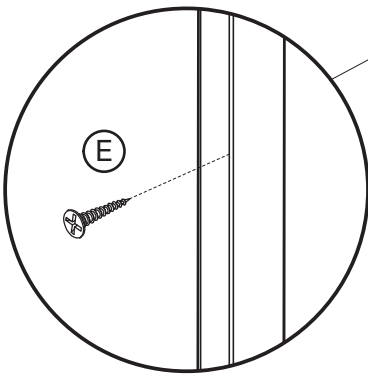


2



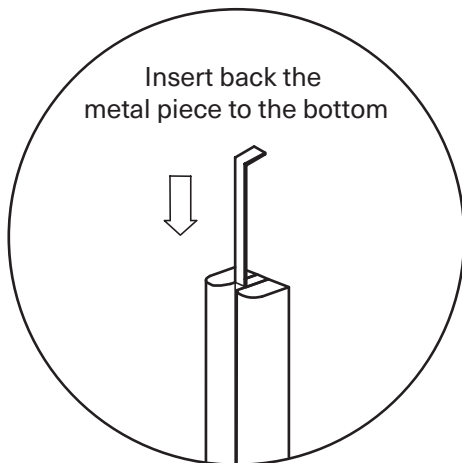
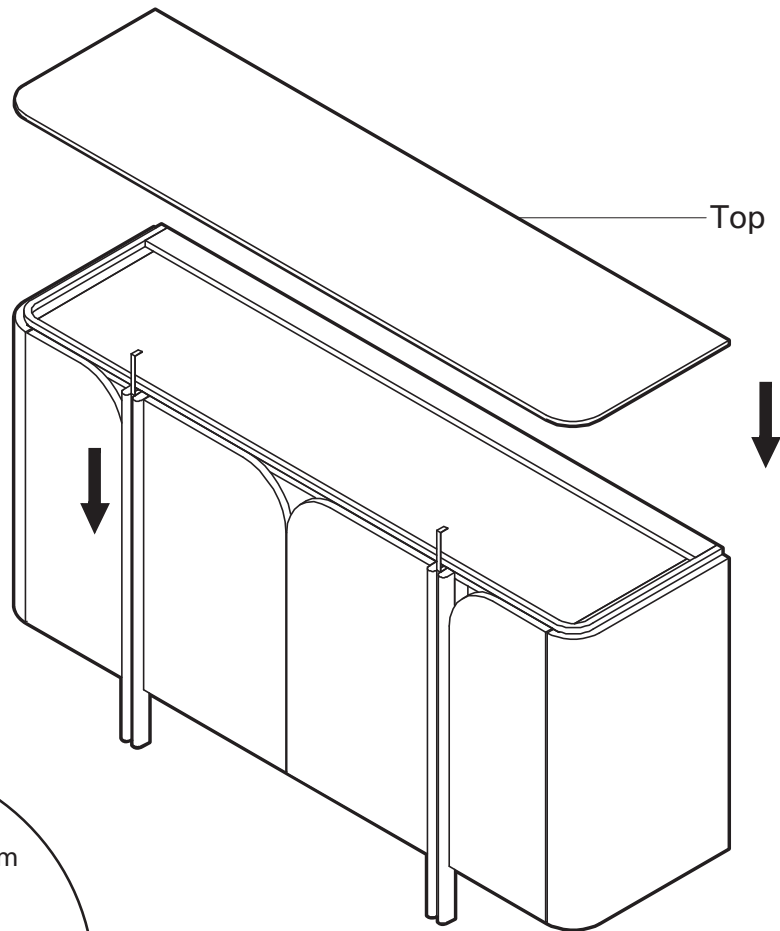
3

Pull out this metal piece
then fix screws



Support

4



⚠ Warning

1. Always secure this furniture with an anchor device
2. Never allow children to stand, climb or hang on drawers, doors, or shelves
3. Never open more than one drawer at a time

