




# KOALA

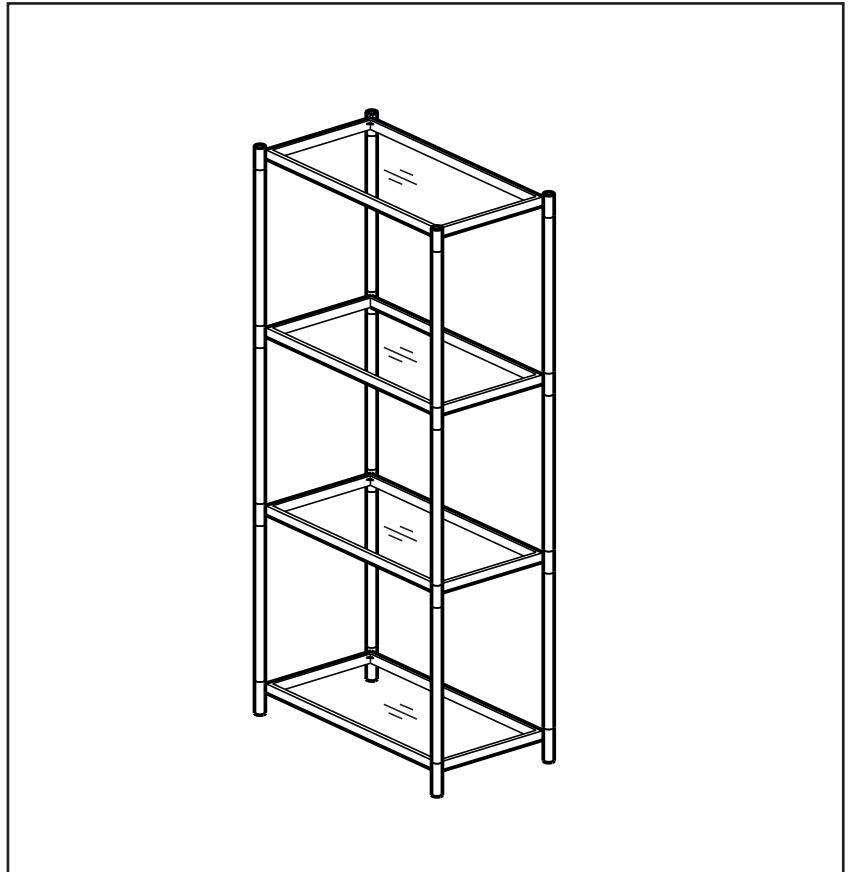
## L I V I N G

### Assembly Instruction

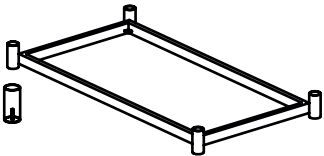
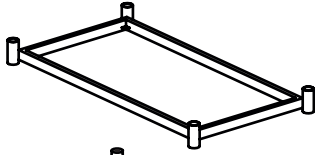
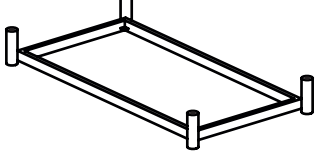
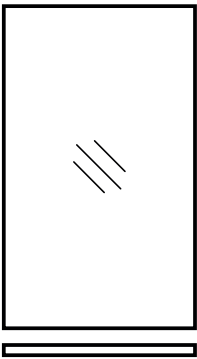



Product Name: Aurn Stainless Steel Bookshelf

#### Hardware List

- 
A
Threaded Bolt  
M8x50mm
8 pcs
- 
B
Adjustable Foot  
M8x20mm
4 pcs
- 
C
Silicon Pad  
12x2mm
16 pcs



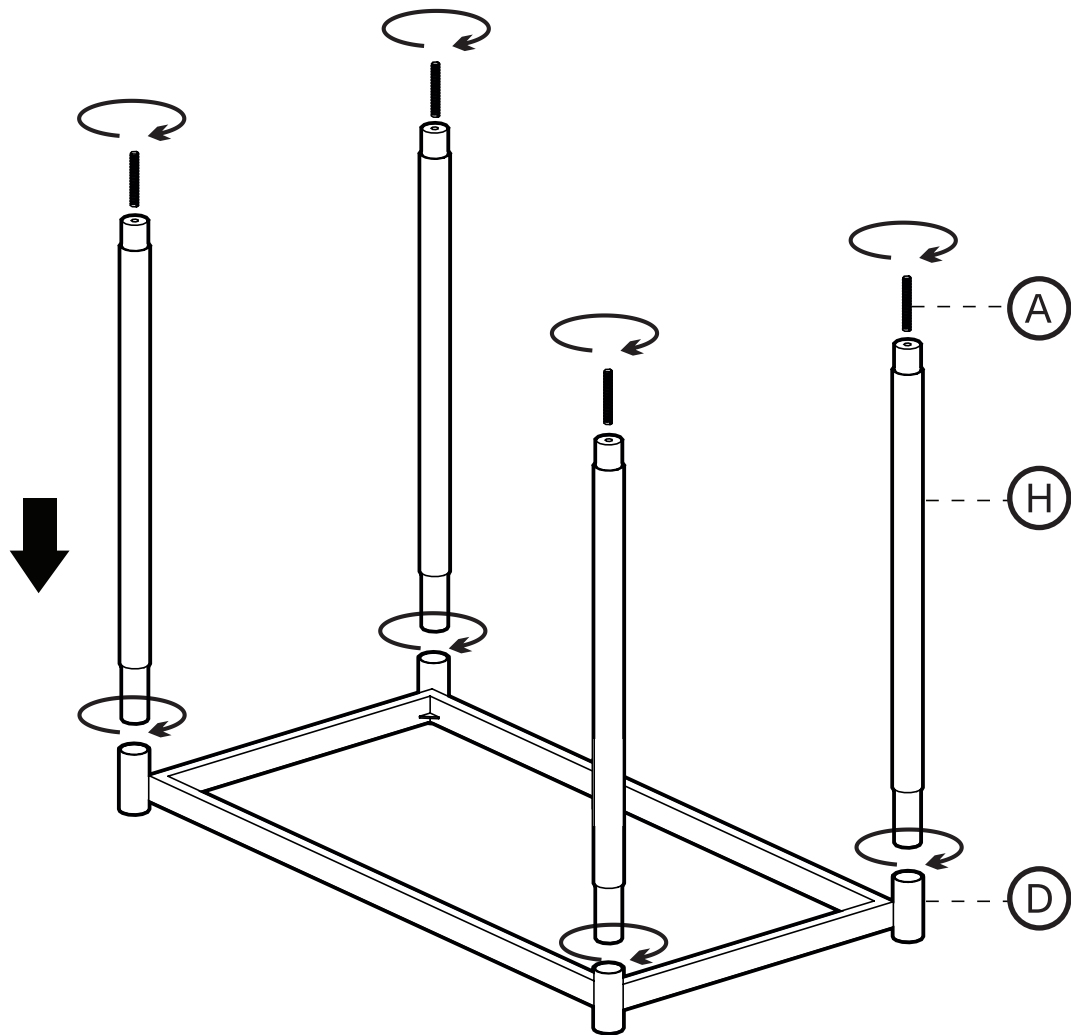
#### Parts List

<ul style="list-style-type: none"> <li>  <span style="margin-left: 10px;">D</span> <span style="margin-left: 20px;">1 pc</span> </li> <li>  <span style="margin-left: 10px;">E</span> <span style="margin-left: 20px;">2 pcs</span> </li> <li>  <span style="margin-left: 10px;">F</span> <span style="margin-left: 20px;">1 pc</span> </li> </ul>	 <p>G</p> <p>4 pcs</p>	 <p>H</p> <p>30-493-65 4 pcs</p>	 <p>I</p> <p>30-493-30 4 pcs</p>	 <p>J</p> <p>30-493-100 4 pcs</p>
---	---	---	---	--

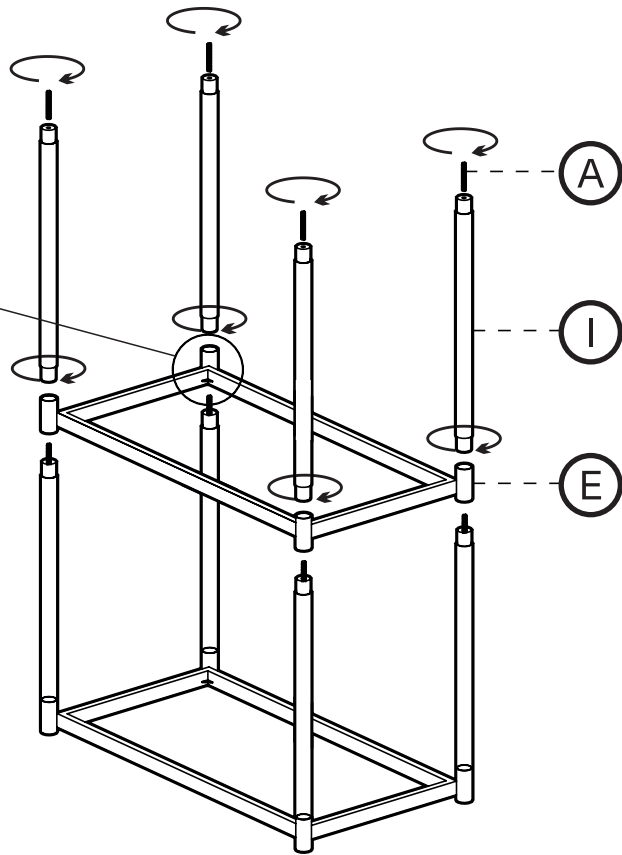
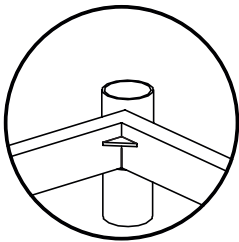
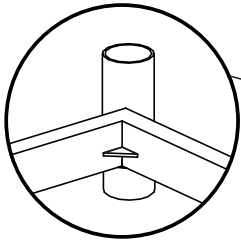
## Note

1. Please check that all required hardware for assembly, as listed in the instructions, is available before beginning assembly.
2. For safety and efficiency, it's best to have two or more people assist with assembly to handle heavy parts safely and collaborate effectively.
3. Do not discard any packaging materials until assembly is complete.
4. Before assembling the item, carefully read all provided instructions.
5. Handle tools with care during assembly to prevent injuries.

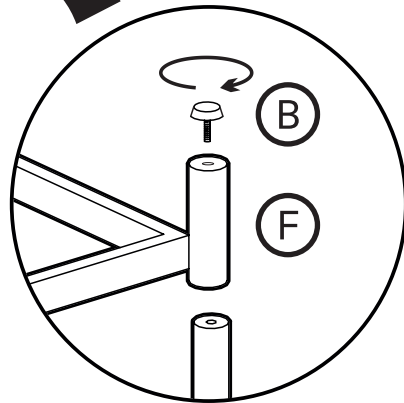
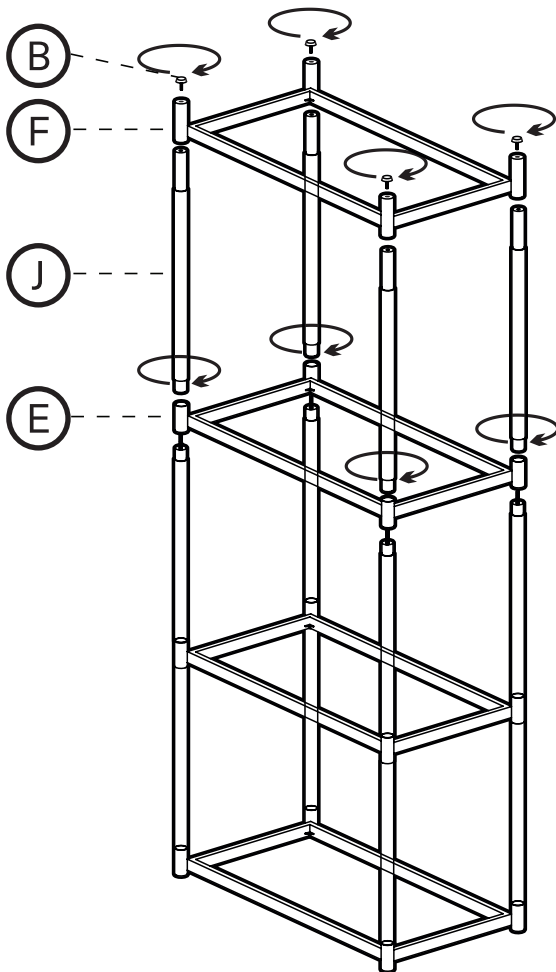
1



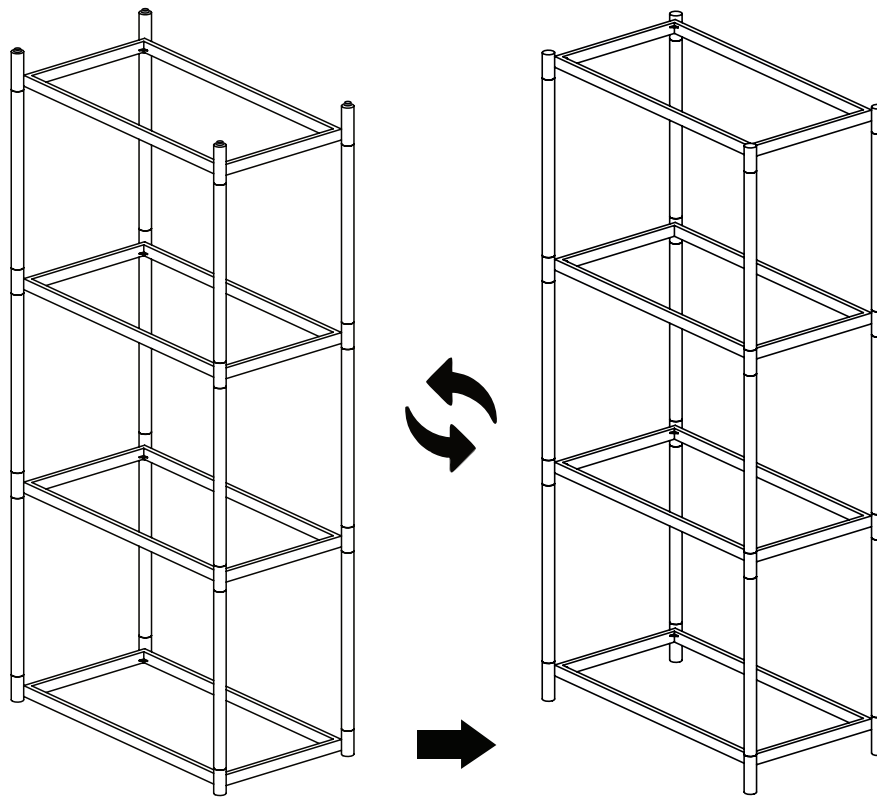
2



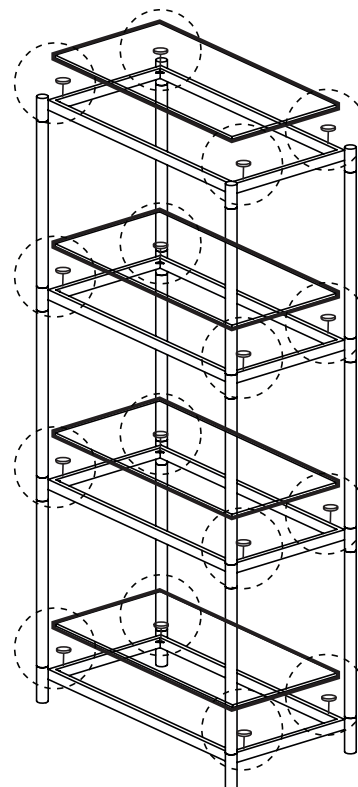
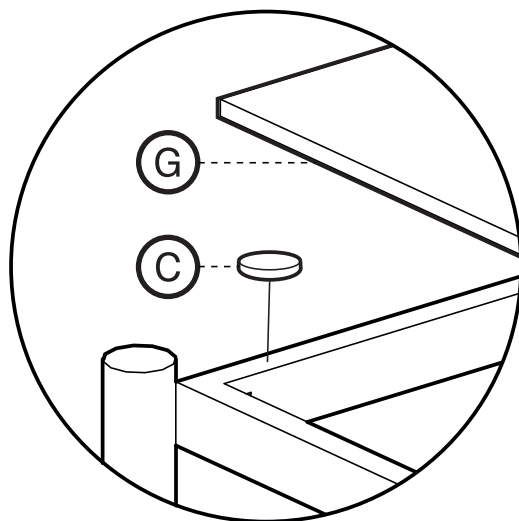
3



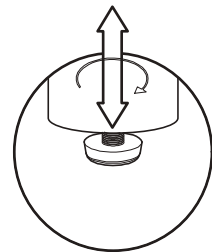
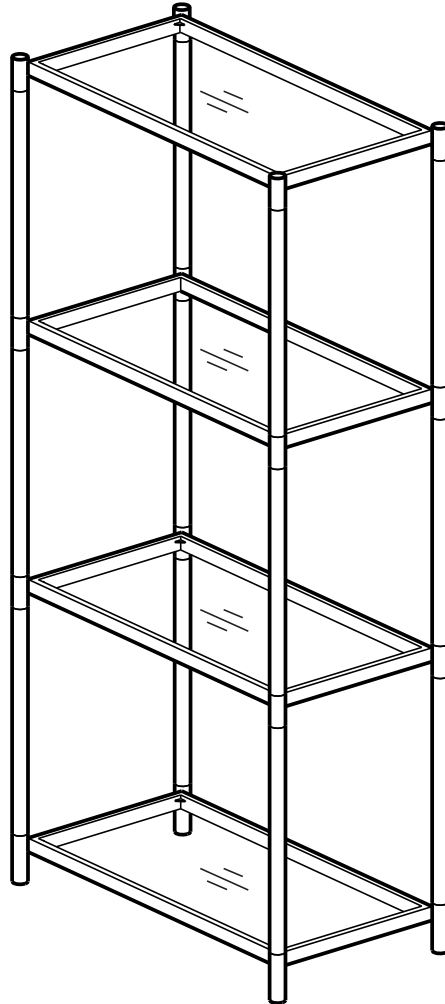
4



5



6



Ensure all adjustable stoppers are firmly on the ground for stability

### Warning

- ALWAYS secure this furniture with an anchor device
- NEVER allow children to stand, climb or hang on drawers, doors, or shelves
- NEVER open more than one drawer at a time
- Place heavy items down low

