


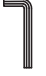



KOALA

L I V I N G

Assembly Instruction

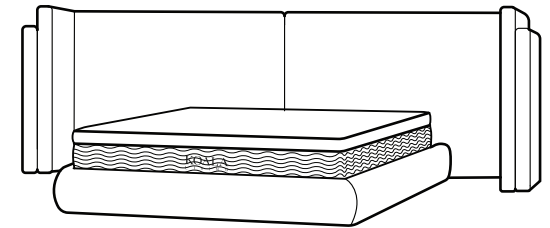
Product Name: Clementine Dove Grey Woven Fabric Queen Bed
 Product Id: 129497

Hardware List

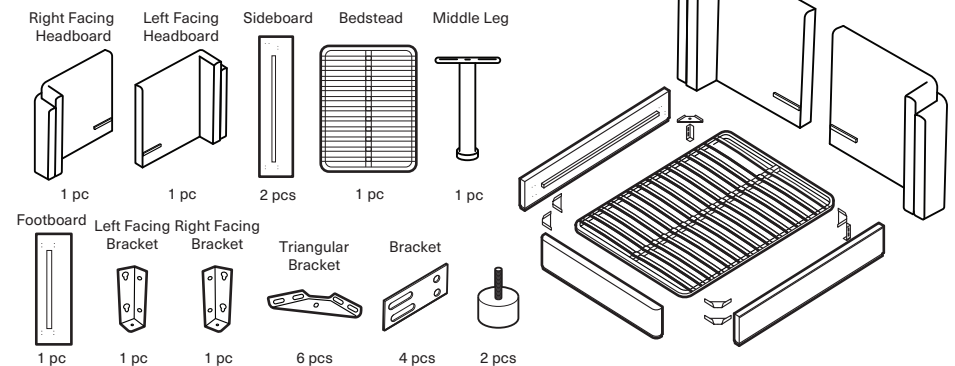
A		Allen Bolt M8X25mm	48 pcs
B		Allen Wrench 5mm	1 pc
C		Washer M8X22mm	2 pcs
D		Nut	4 pcs
E		Allen Bolt M8X50mm	2 pcs

Note

The bolts (A) are pre-installed on the bed head, side rails, footboard and bolts (E) is on the support legs. Please unscrew them to assemble the bed.



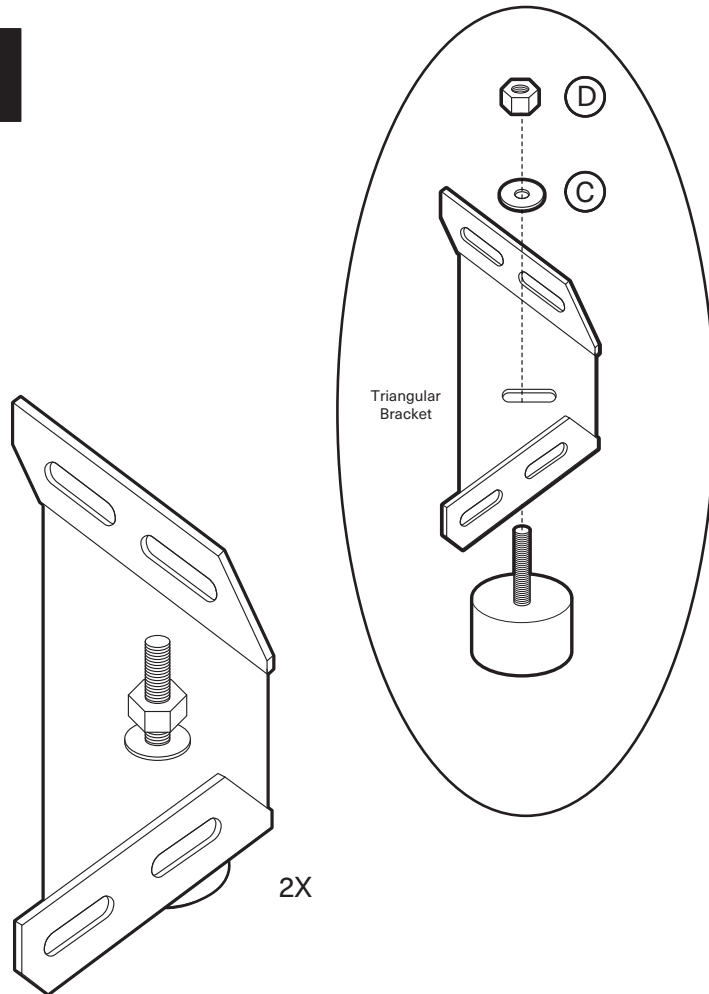
Part List



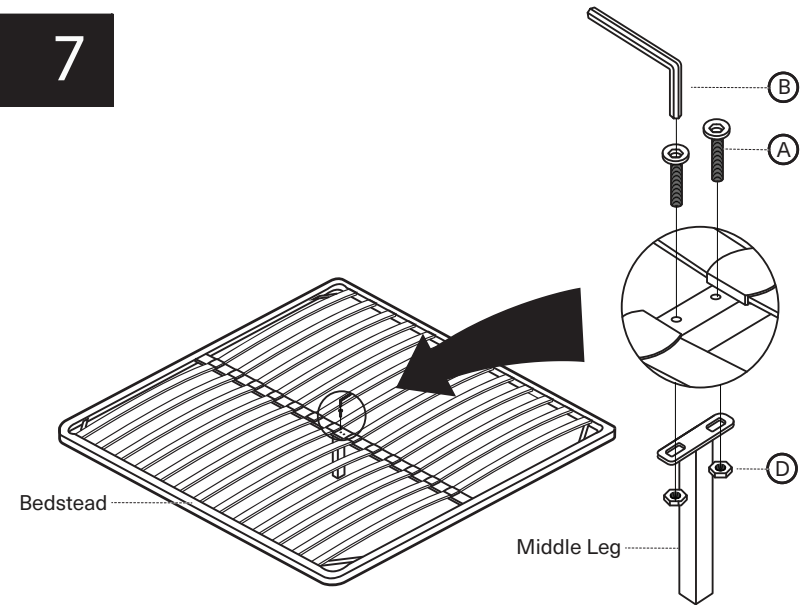
Note

1. Assemble the item on a soft, well-lit surface like cardboard or carpet.
2. For safety and efficiency, it's best to have two or more people assist with assembly to handle heavy parts safely and collaborate effectively.
3. Keep all packaging materials intact until assembly is complete.
4. Before assembling the item, carefully read all provided instructions.
5. Handle tools with care during assembly to prevent injuries.

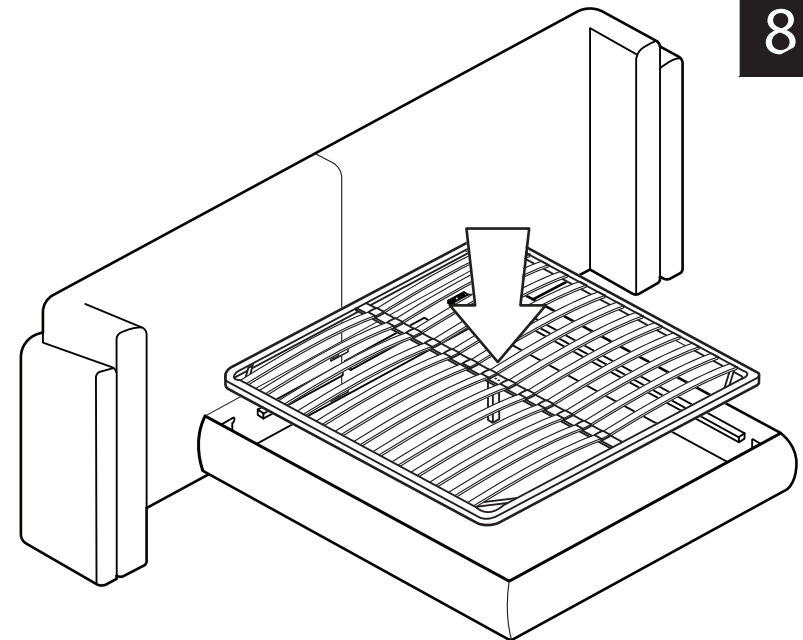
1



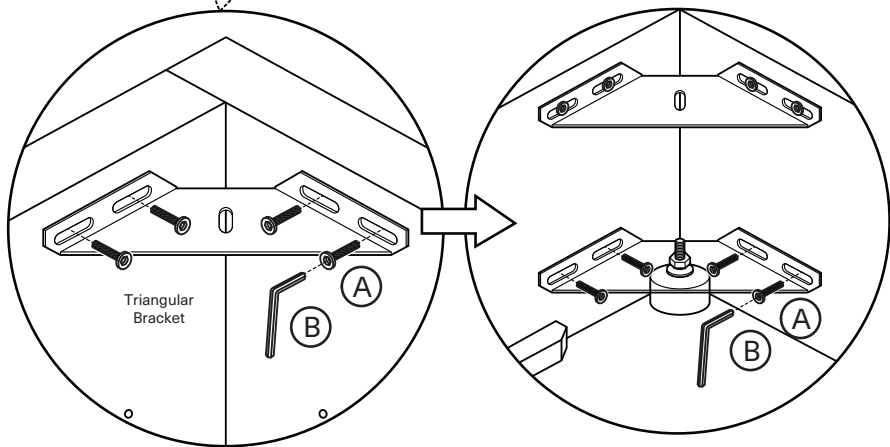
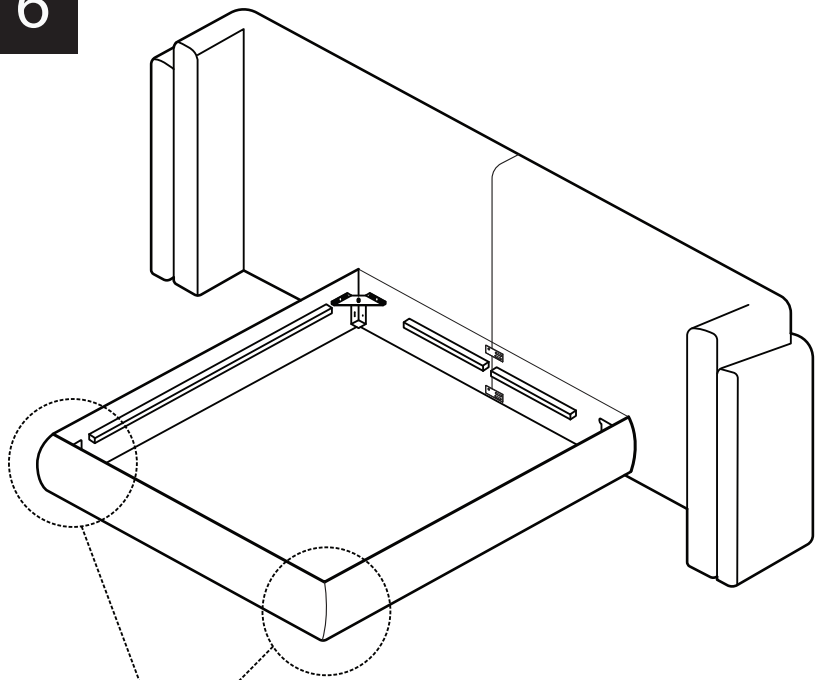
7



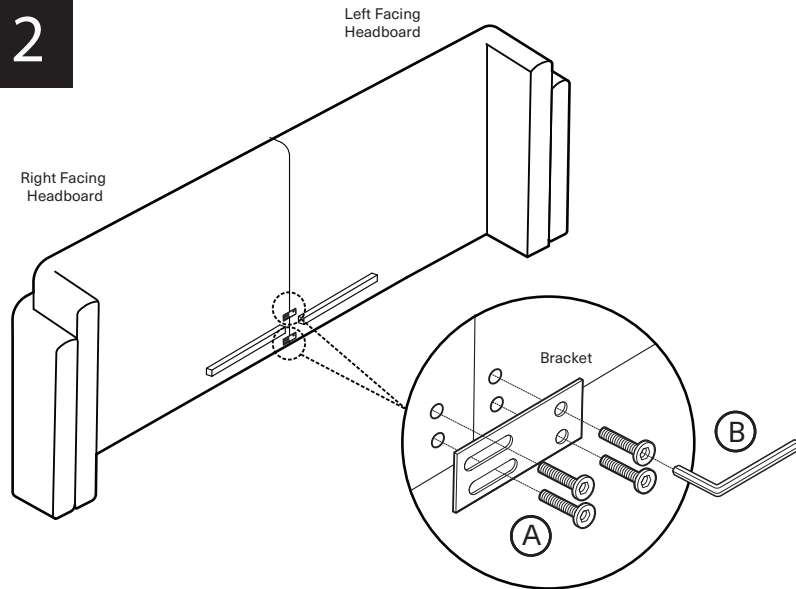
8



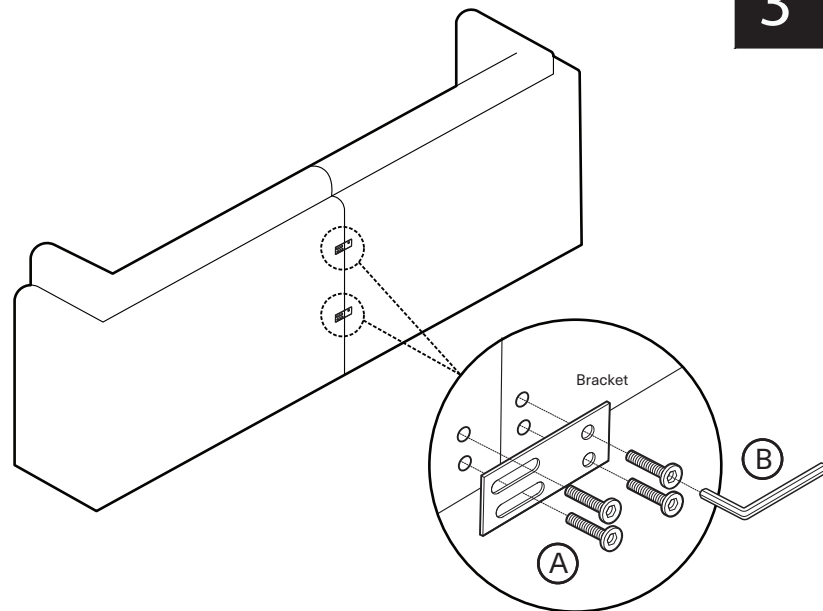
6



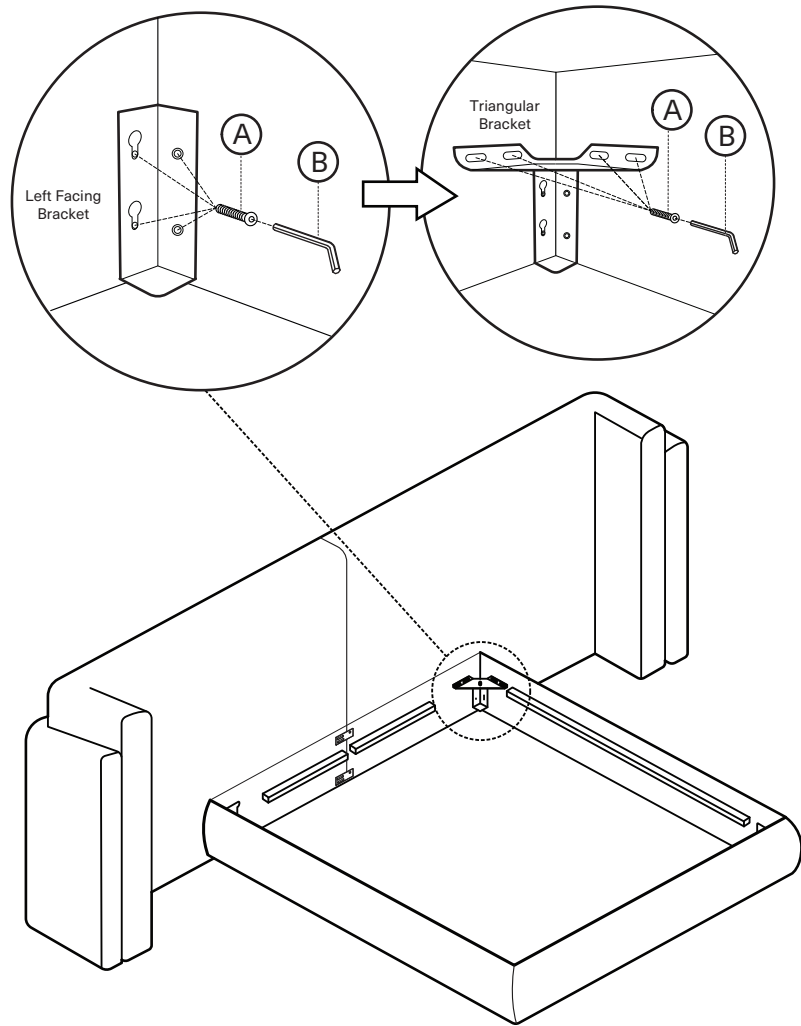
2



3



4



5

