

KOALA


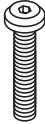

L I V I N G

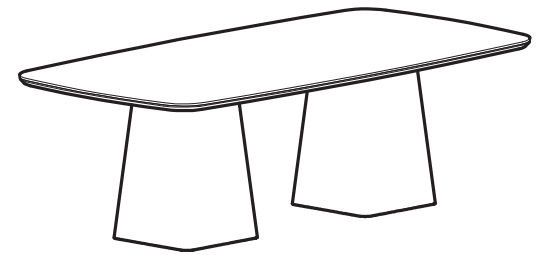
Assembly Instruction

Product Name: Dunstan Calacatta Viola Sintered Stone Rectangular Dining Table
Medium Brown Wooden Legs

Product Id: 129198

Hardware List

- | | | | |
|---|---|--------------------|--------|
| A |  | Washer
8*20 | 16 pcs |
| B |  | Allen Bolt
8*35 | 16 pcs |
| C |  | Allen Key
5mm | 1 pc |



Part List

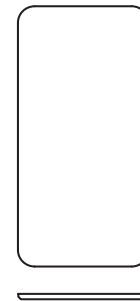
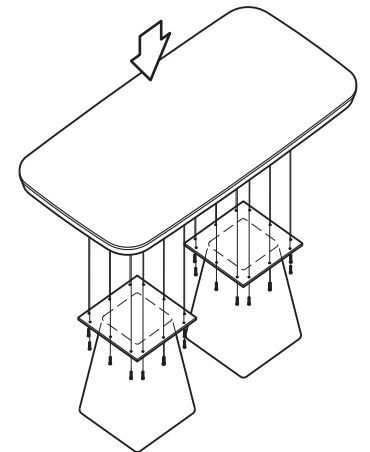


Table Top
1 pcs



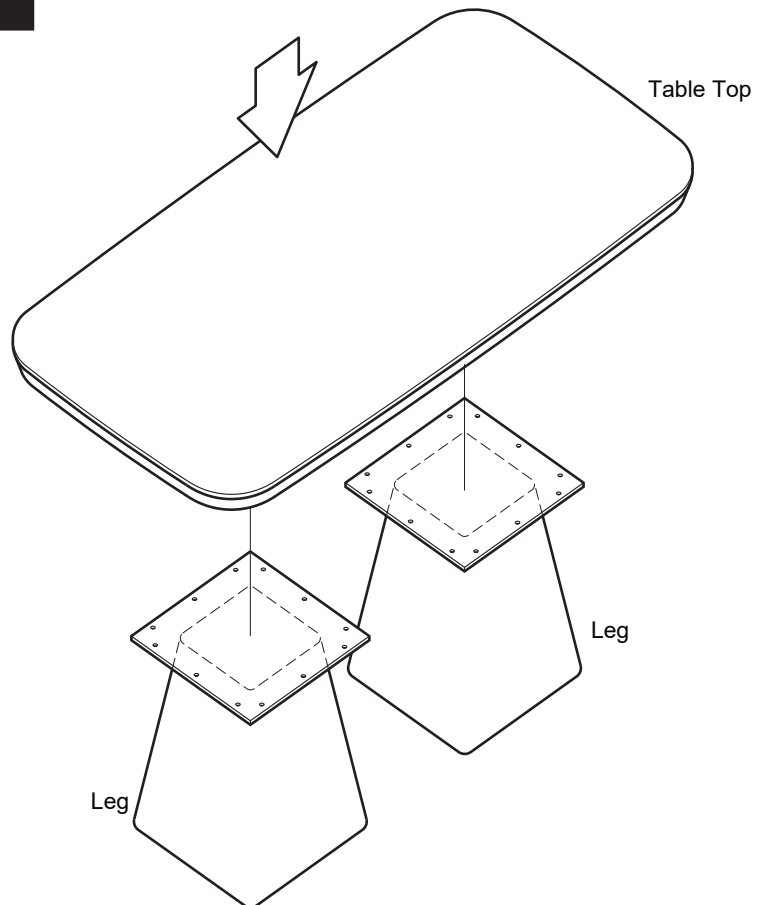
Leg
2 pcs



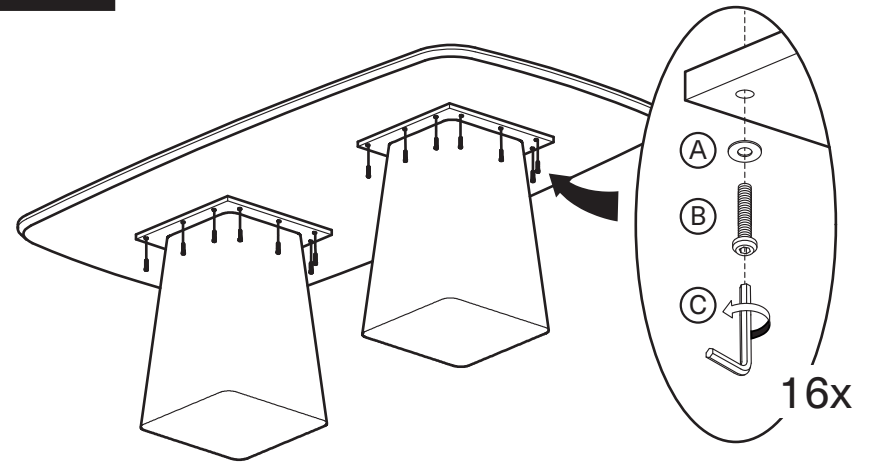
Note

1. Assemble the item on a soft, well-lit surface like cardboard or carpet.
2. For safety and efficiency, it's best to have two or more people assist with assembly to handle heavy parts safely and collaborate effectively.
3. Keep all packaging materials intact until assembly is complete.
4. Before assembling the item, carefully read all provided instructions.
5. Handle tools with care during assembly to prevent injuries.

1



2



3

