






KOALA

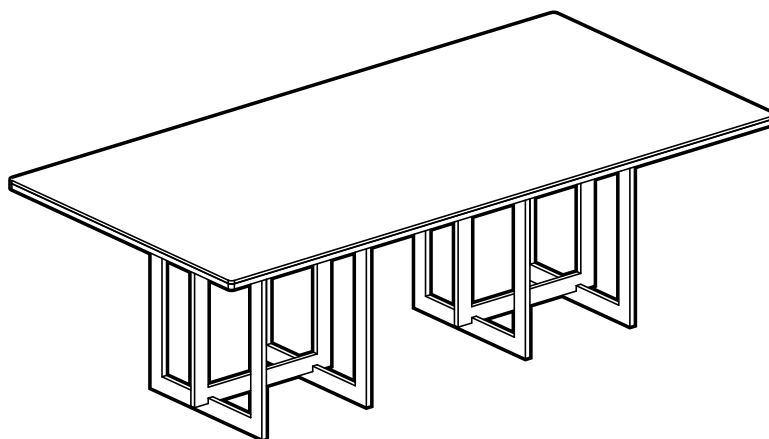
L I V I N G

Assembly Instruction

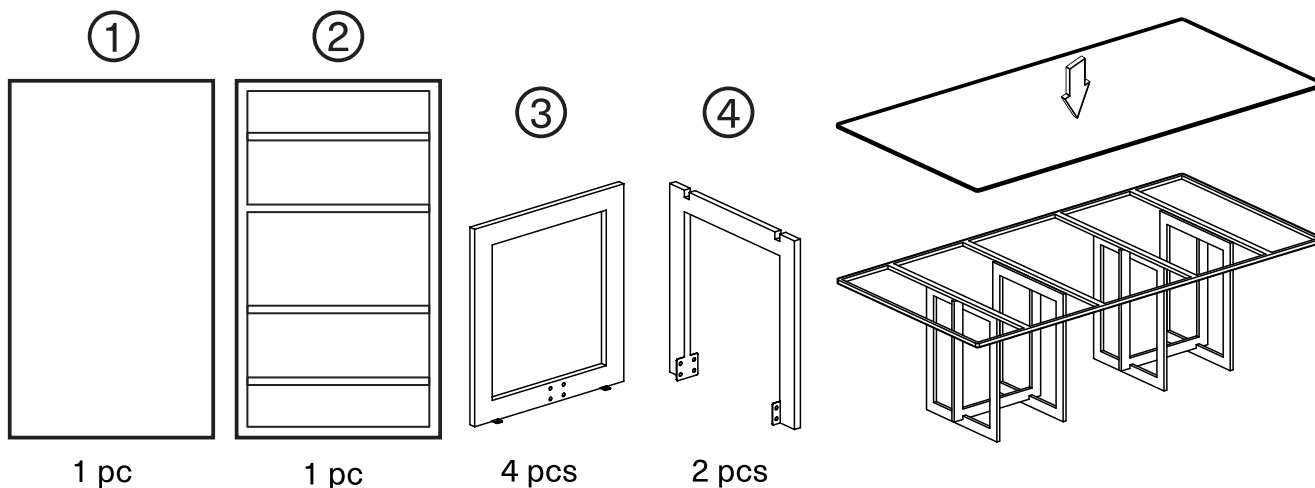
Product Name: Maia Dining Table

Hardware List

A		Allen Bolt M6x10mm	24 pcs
B		Allen Bolt M6x70mm	4 pcs
C		Washer M8x22x1.5mm	8 pcs
D		Allen Key 5mm	1 pc
E		Silicon Pad 12x2mm	8 pcs



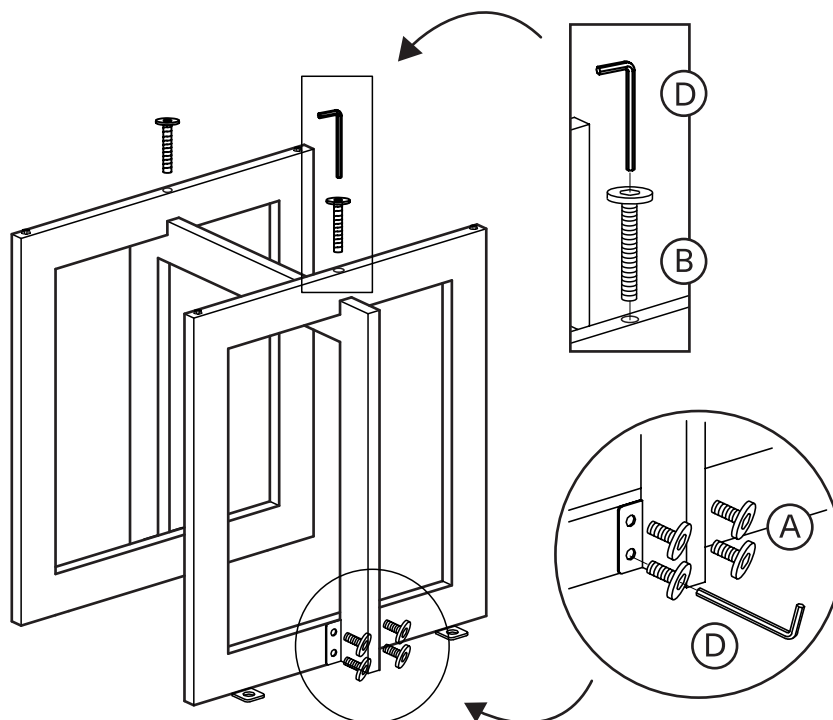
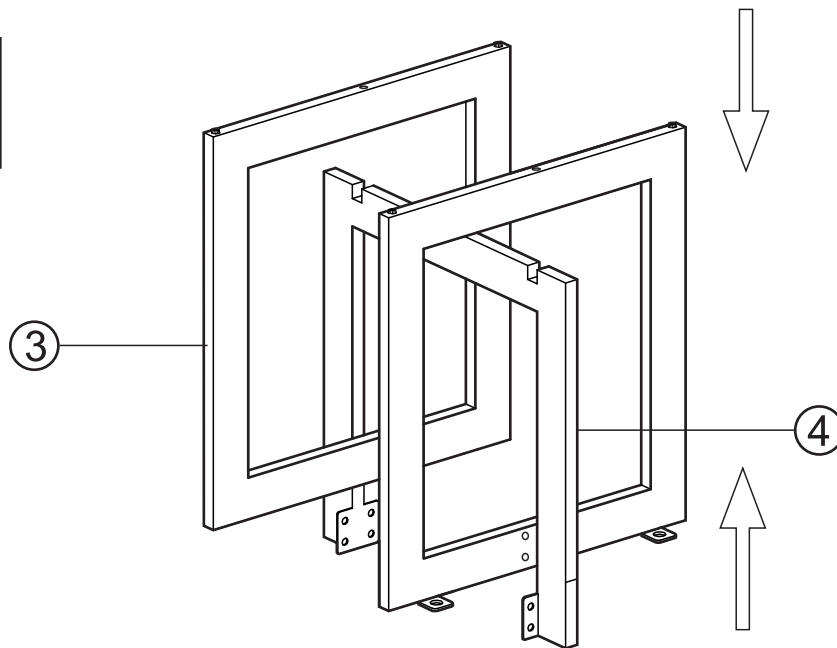
Parts List



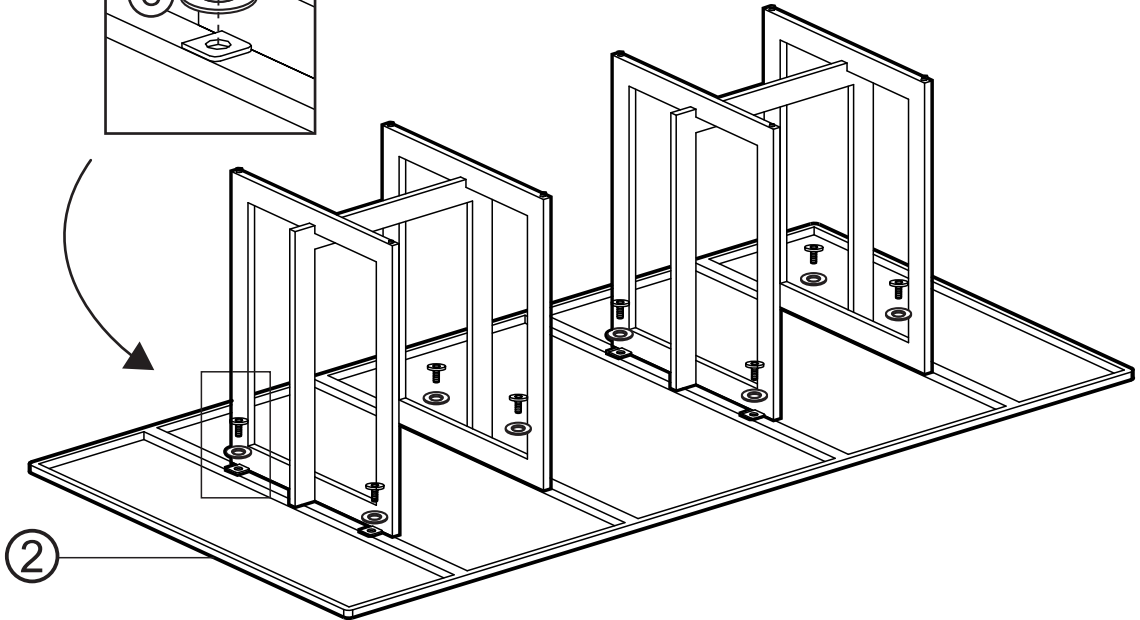
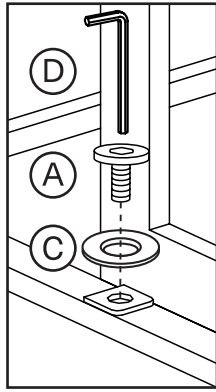
Note

1. Please check that all required hardware for assembly, as listed in the instructions, is available before beginning assembly.
2. For safety and efficiency, it's best to have two or more people assist with assembly to handle heavy parts safely and collaborate effectively.
3. Do not discard any packaging materials until assembly is complete.
4. Before assembling the item, carefully read all provided instructions.
5. Handle tools with care during assembly to prevent injuries.
6. A drill may be used, but only on a LOW setting to avoid damage.

1



3



4

