

# KOALA





L I V I N G

## Assembly Instruction

Product Name: Ophelia Smoky Walnut Veneer Curved Dining Table

Product Id: 129768

### Hardware List

- A  Allen Key 5mm 1 pc
- B  Allen Bolt 8\*50 16 pcs
- C  Allen Bolt 8\*20 16 pcs
- D  Stopper (Already assembled) 8 pcs

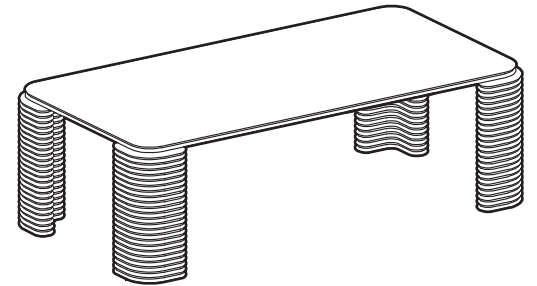
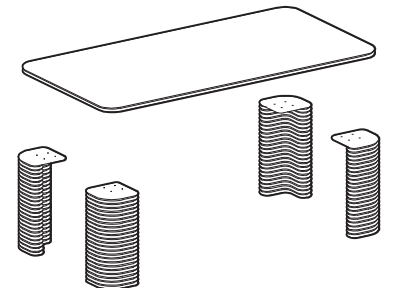


Table Top  
1 pc



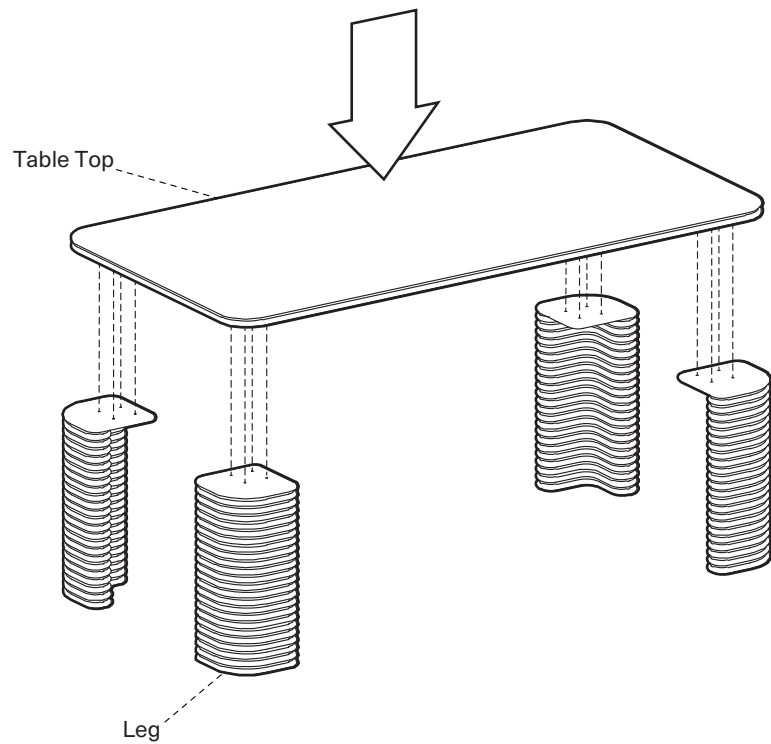
Leg  
4 pcs



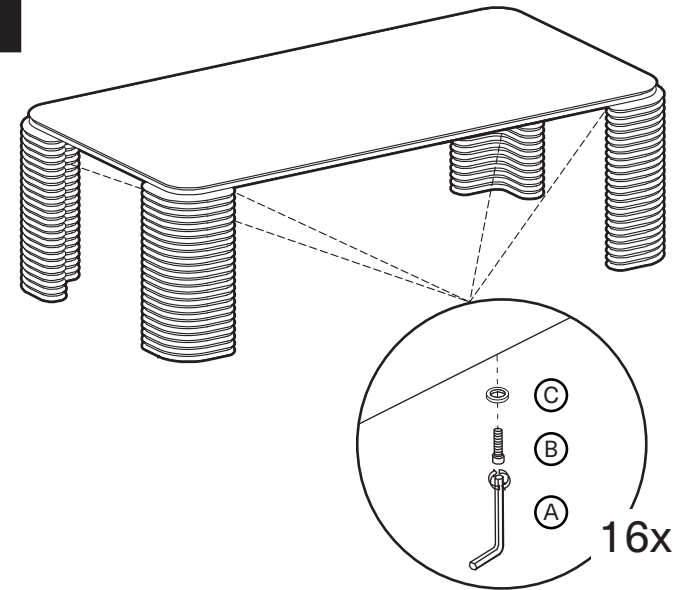
## Note

1. Assemble the item on a soft, well-lit surface like cardboard or carpet.
2. For safety and efficiency, it's best to have two or more people assist with assembly to handle heavy parts safely and collaborate effectively.
3. Keep all packaging materials intact until assembly is complete.
4. Before assembling the item, carefully read all provided instructions.
5. Handle tools with care during assembly to prevent injuries.

1



2



3

