

KOALA


L I V I N G

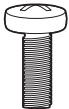
Assembly Instruction


Product Name: Zeny Brushed Gold Glass Chandelier - Transparent Plum Glass Tube


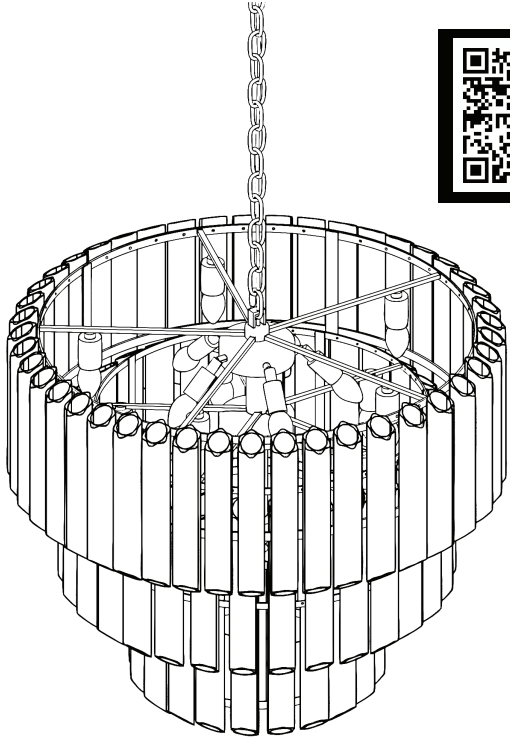
Product Id: 129065

Hardware List

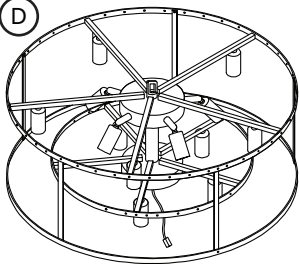
A  **Screw M4*6mm** 18 pcs
(From "Screws" bag)

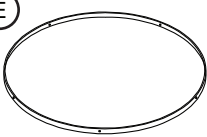
B  **Screw M4*12mm** 95 pcs
(From "Screws" bag)

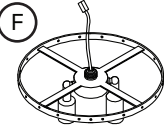
C  **E14 Bulb** 17 pcs
(Not Included)

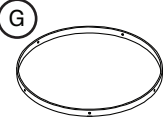



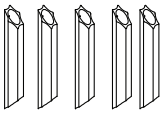
Part List

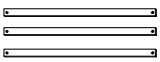
D  **Lamp Body (1)**
1 Set

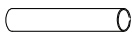
E  **Metal Ring**
D500mm - 1 Set

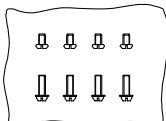
F  **Lamp Body (2)**
1 Set

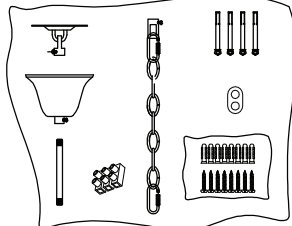
G  **Metal Ring**
D295mm - 1 Set

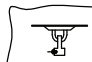
H  **Glass**
95 pcs


I  **Bracing Piece**
L=260mm - 9 pcs

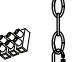
J  **Metal Tube**
L=150MM - 1 pcs

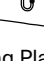
K  **Screws**
1 Bag

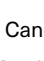
L  **Install Parts**
1 Set

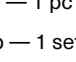
M  **Mounting Plate** — 1 pc

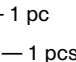
N  **Canopy** — 1 pc

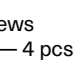
O  **Metal Tube** — 1 pc

P  **Chain Group** — 1 set

Q  **Pull Clasp** — 1 pc

R  **Terminal Block** — 1 pcs

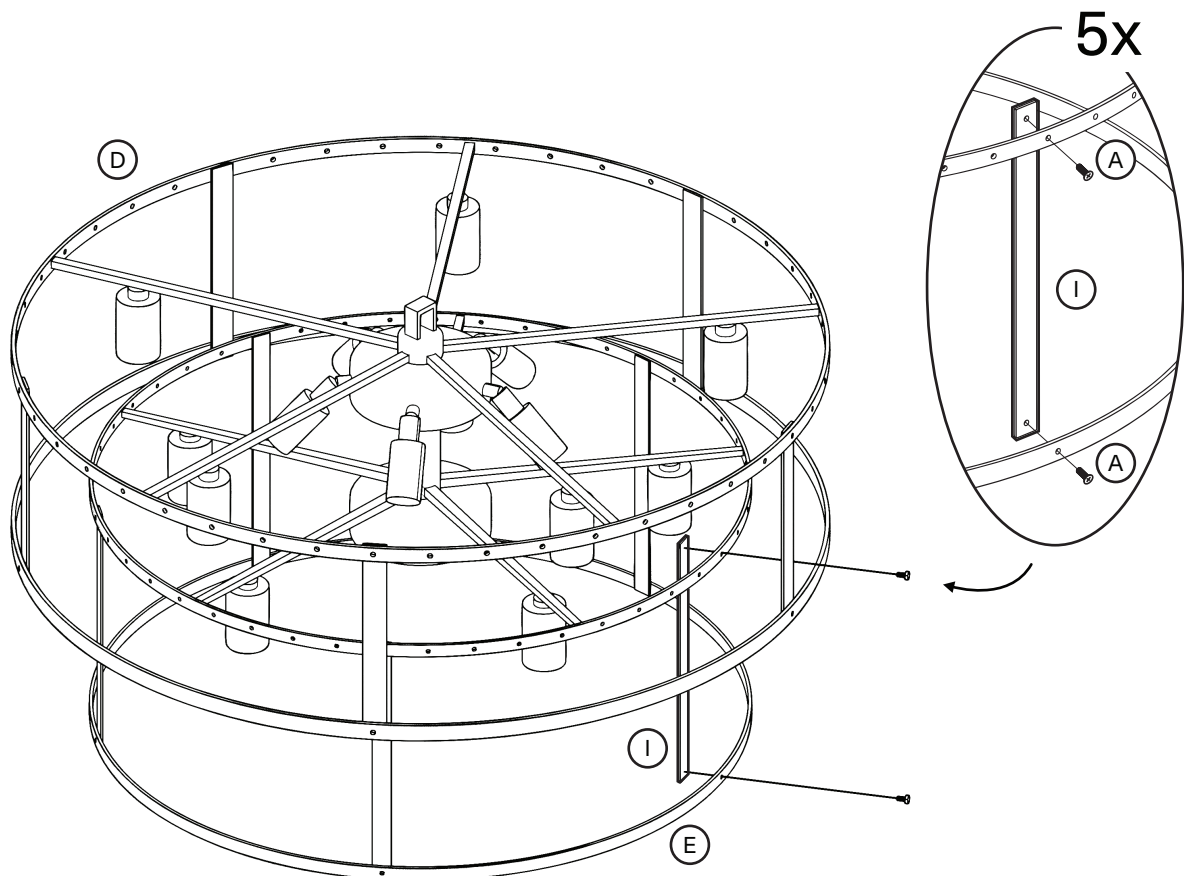
S  **Expansion Screws**
(M6 x 80 mm) — 4 pcs

T  **Installation Spare Parts** - 4 Bag

Note

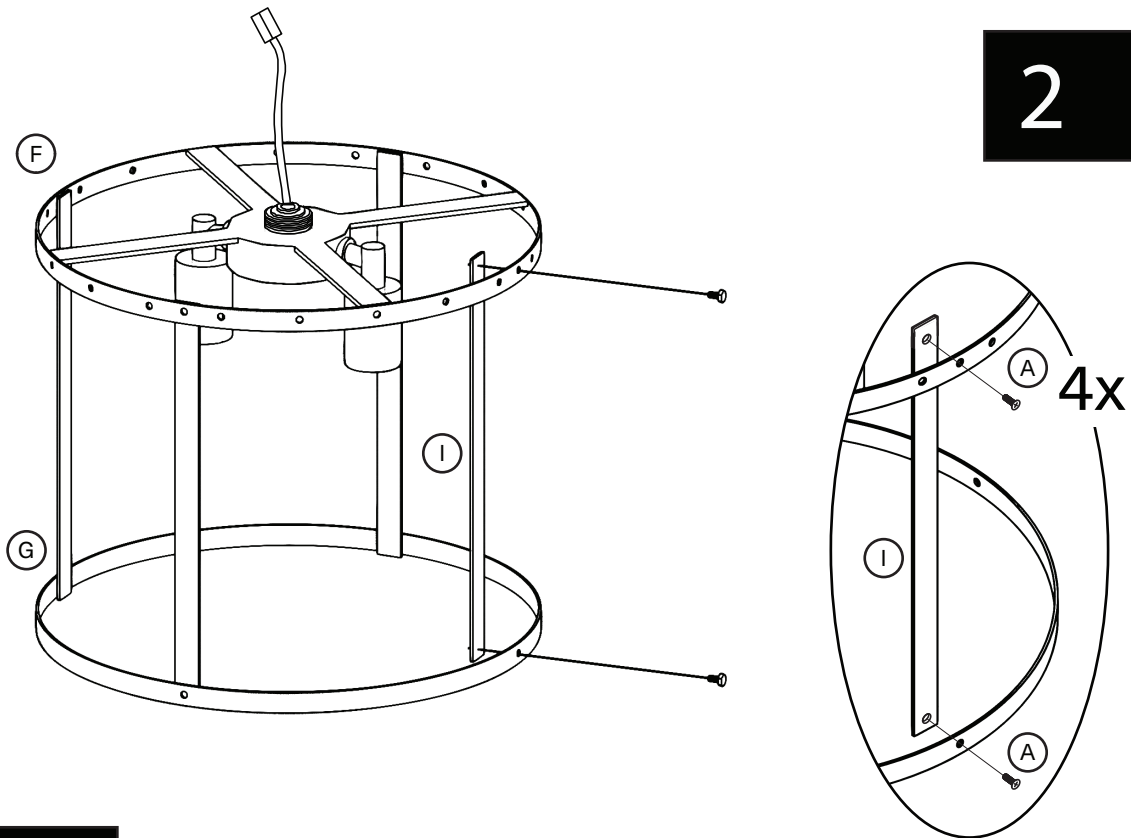
1. Turn off the main power supply before starting the installation.
2. For safety, it is recommended that two people assist during installation.
3. Carefully read all instructions and check that all parts are included before beginning installation.
4. Ensure all wire connections are secure and properly insulated.
5. Handle electrical wires and tools carefully to avoid damage or injury.
6. Do not restore power until the fixture is fully installed and securely mounted.

1



Electrical products can cause serious harm. Installation and maintenance must be done by a qualified electrician only.

2



3

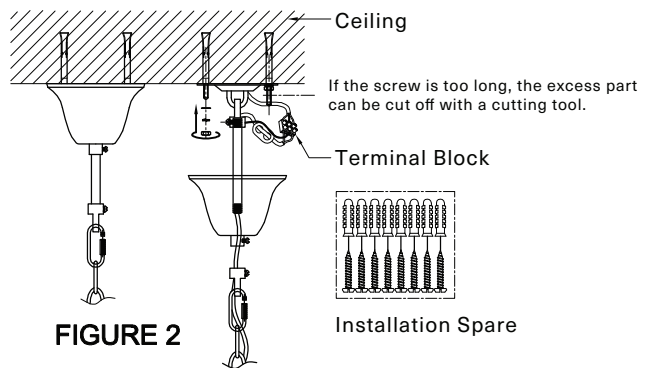
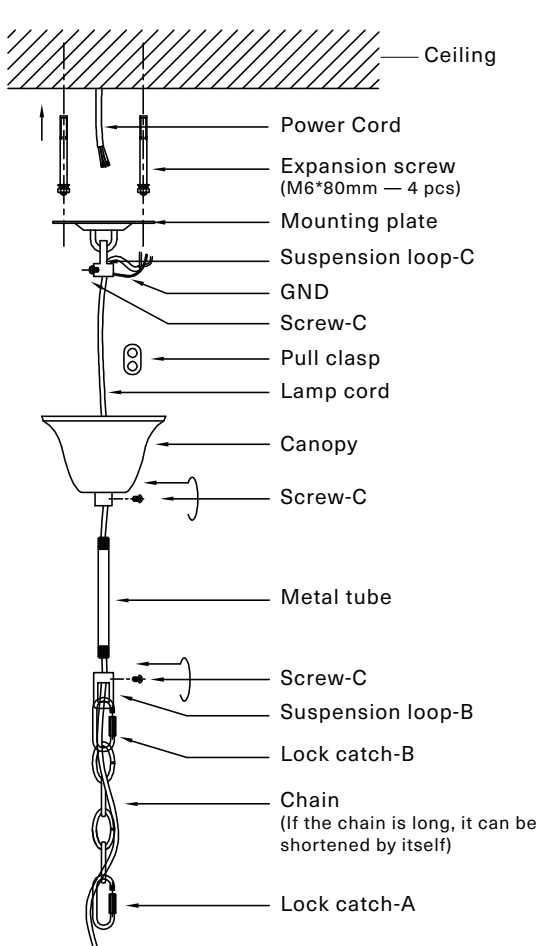
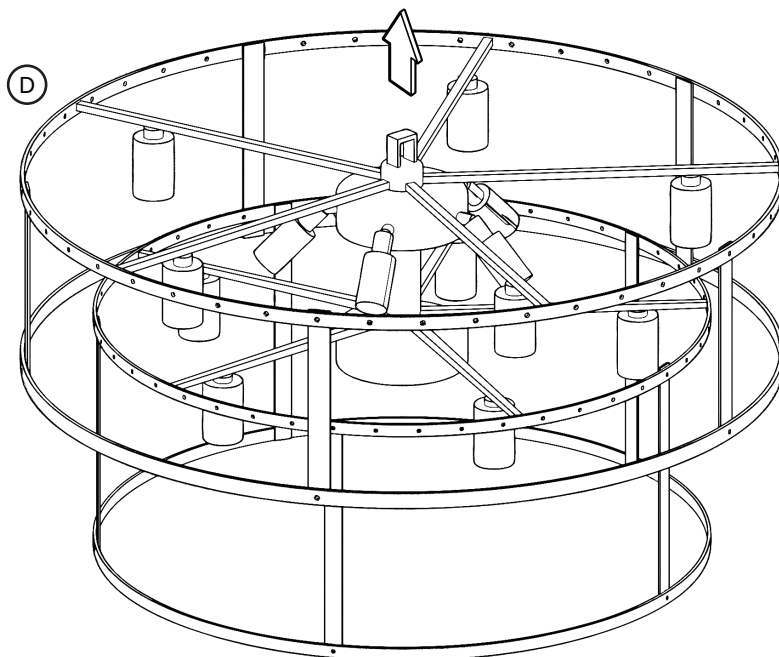


FIGURE 2

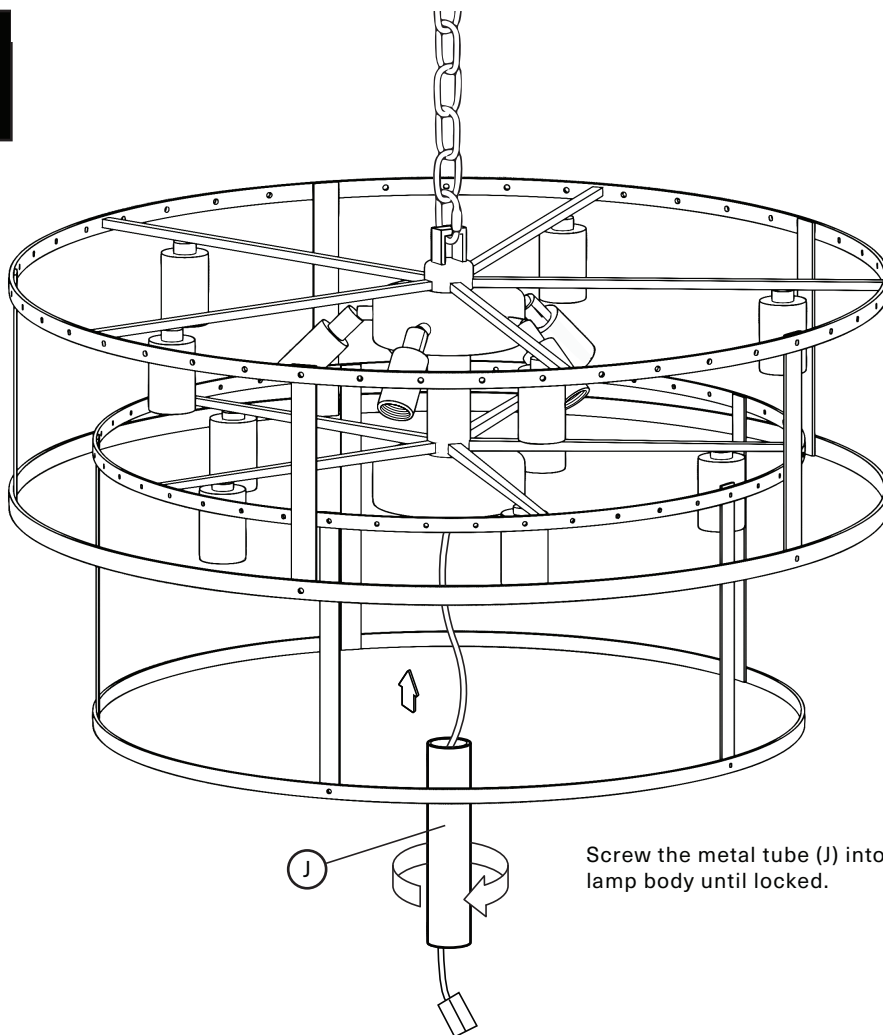
1. Drill holes in the ceiling.
2. Insert the expansion screws and fix the mounting plate.
3. Pass the metal tube through the canopy.
4. Connect to suspension loop (C) and tighten screw C.
5. Hang the suspension loop on the ceiling hook.
6. Route the lamp cord through the chain and metal tube.
7. Connect the wires using the terminal block. (Turn OFF power before connecting)

4

Lock catch-A

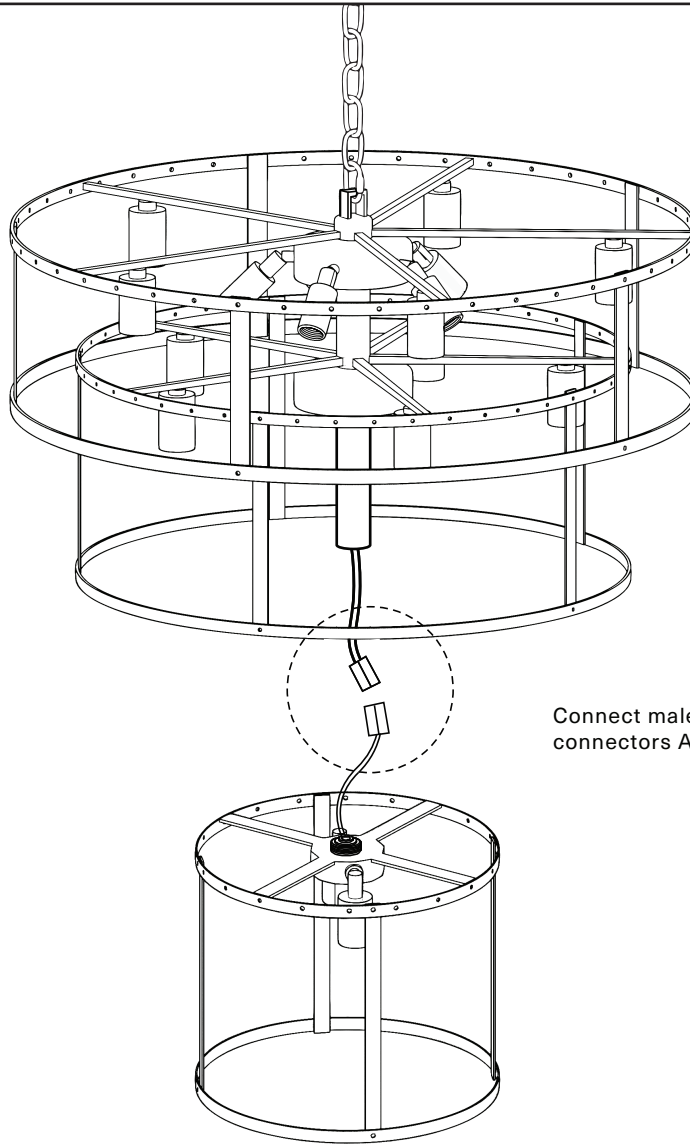


5



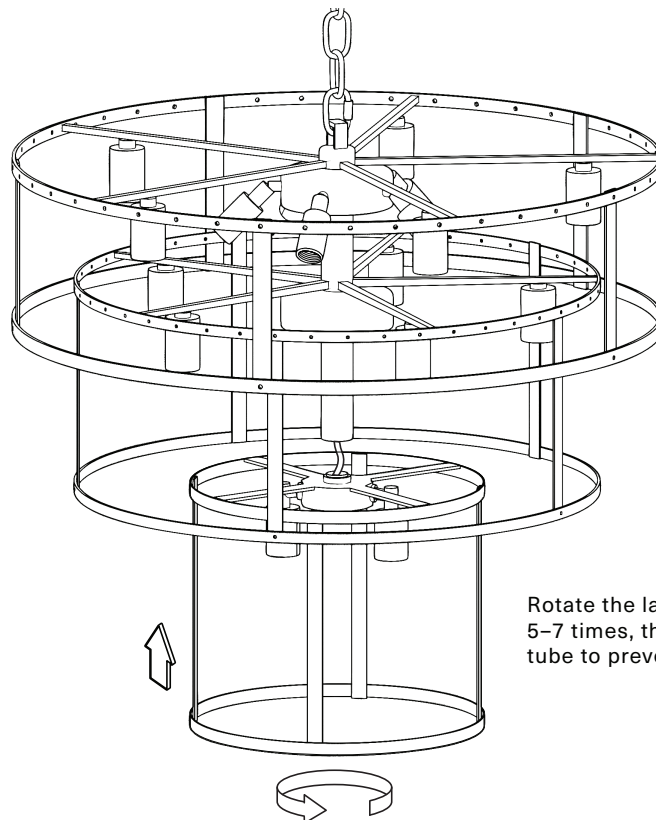
Screw the metal tube (J) into the lamp body until locked.

6



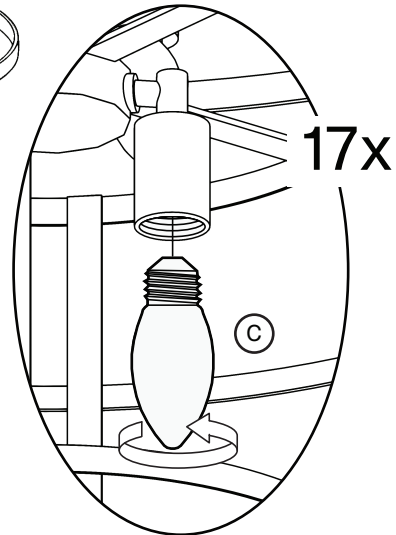
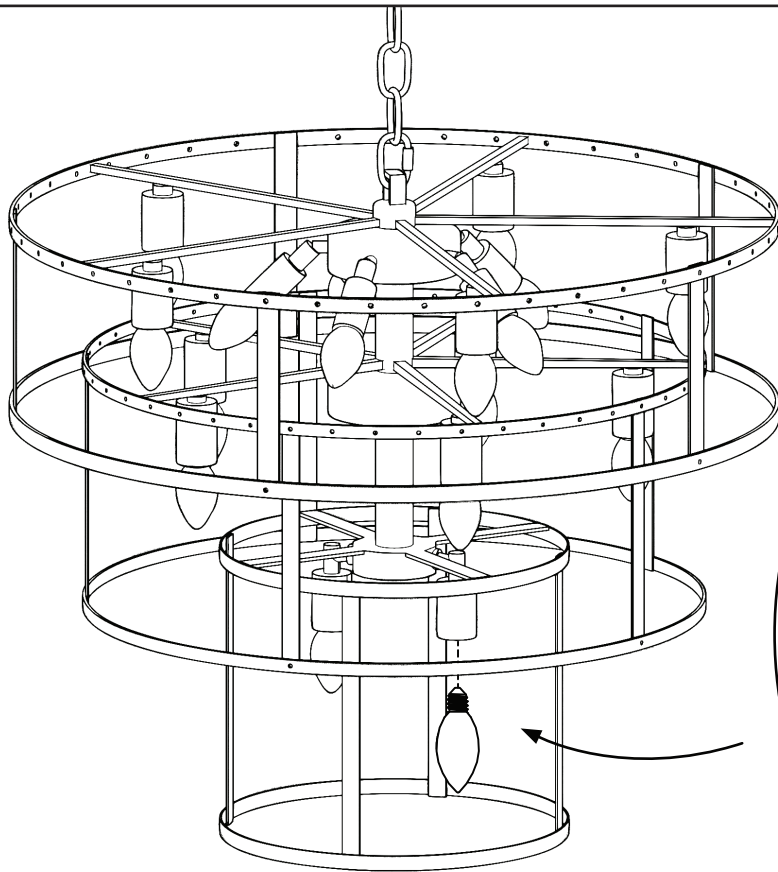
Connect male and female connectors A and B.

7



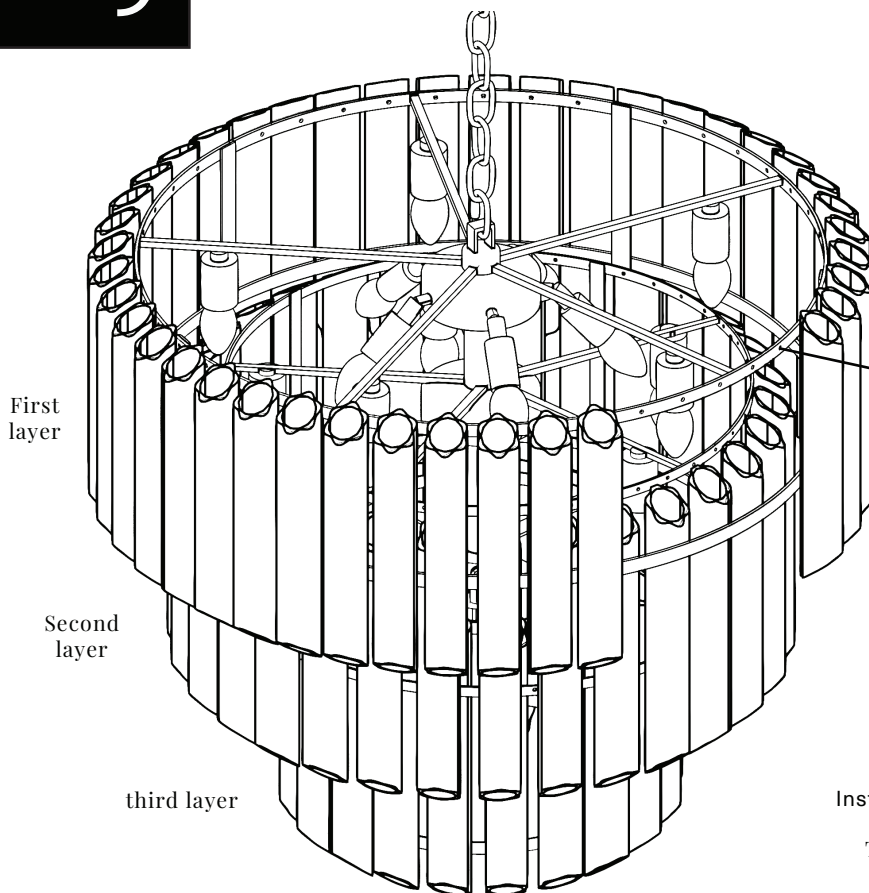
Rotate the lamp body counterclockwise 5-7 times, then screw it into the metal tube to prevent wire twisting.

8



Install the light bulbs (not included) into the sockets.

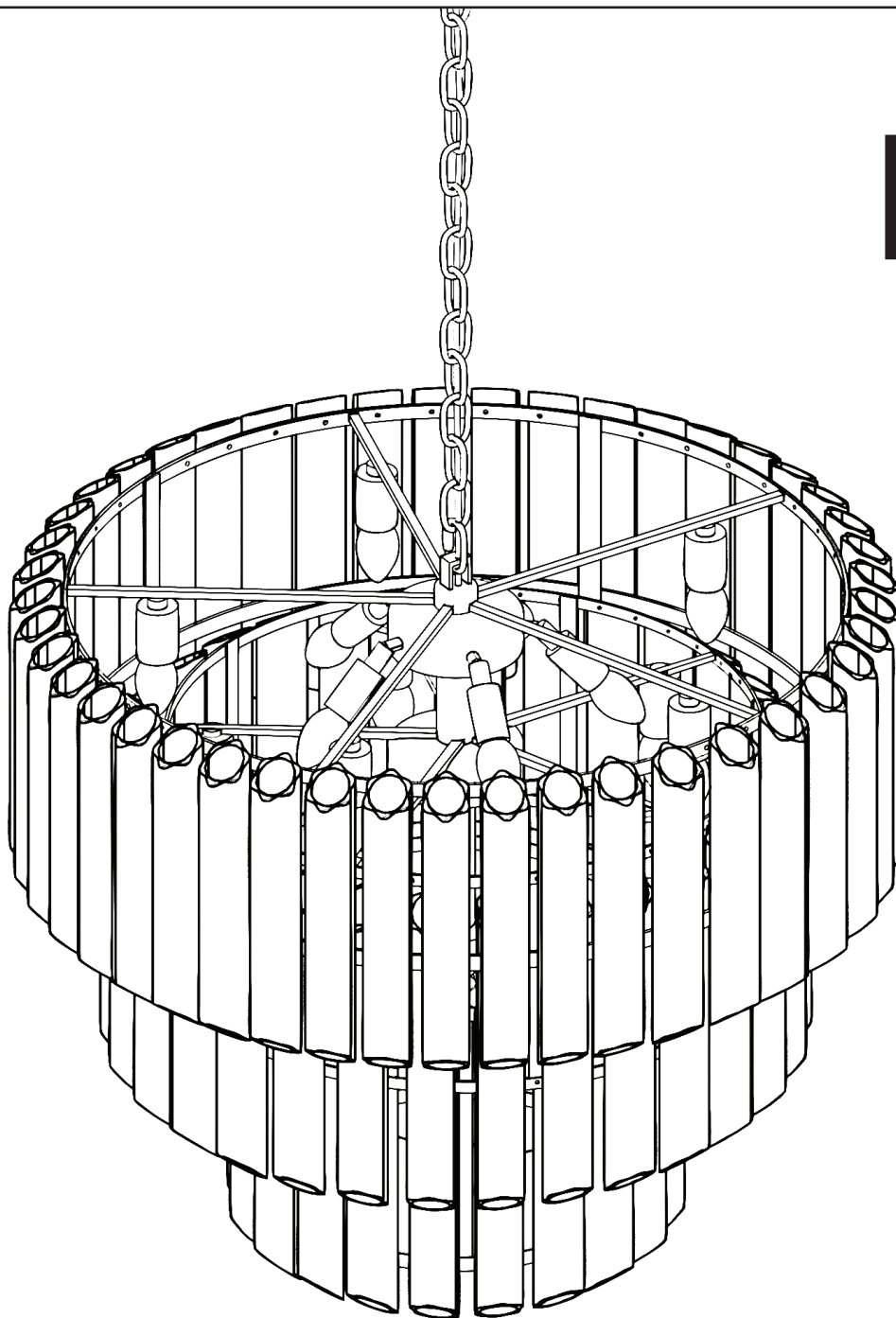
9



Screwdriver
(Not Included)

Install the glass pieces in this order:
Third → Second → First layer.

10



220-240V a.c, 50Hz E14; Max.25W

If the external flexible cable or cord this luminaire is damaged, it shall be exclusively replaced by the manufacturer or his service agent or a similar qualified person in order to avoid a hazard.

