







KOALA

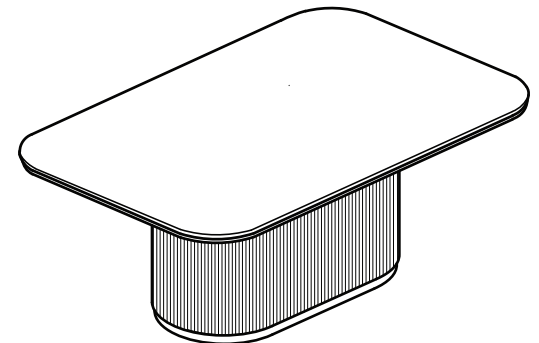
L I V I N G

Assembly Instruction

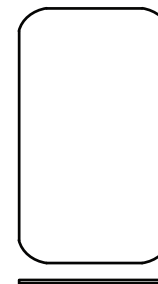
Product Name: San Pierre Ebony Brown Ash Veneer Dining Table
Single Leg - Travertine Finish Sintered Stone Top 200x110cm
Product Id: 129467

Hardware List

A		Allen Key 5mm	1 pc
B		Allen Bolt M8*40	8 pcs
C		Washer 8*19	8 pcs
D		Allen Key 4mm	1 pc
E		Allen Bolt M6*25	10 pcs
F		Washer 6*16	10 pcs



Part List



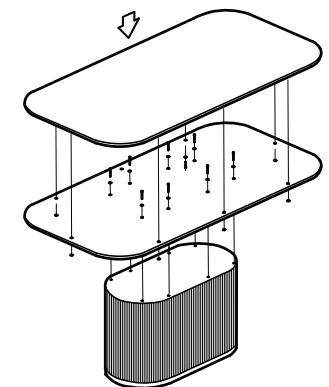
Ⓜ
1 pc



Ⓜ
1 pc



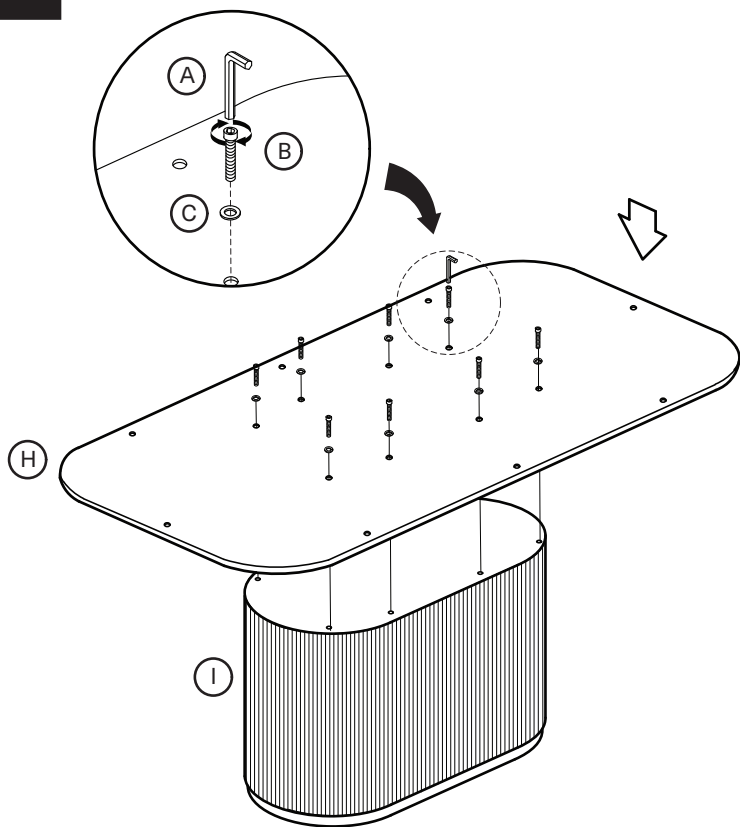
Ⓜ
1 pc



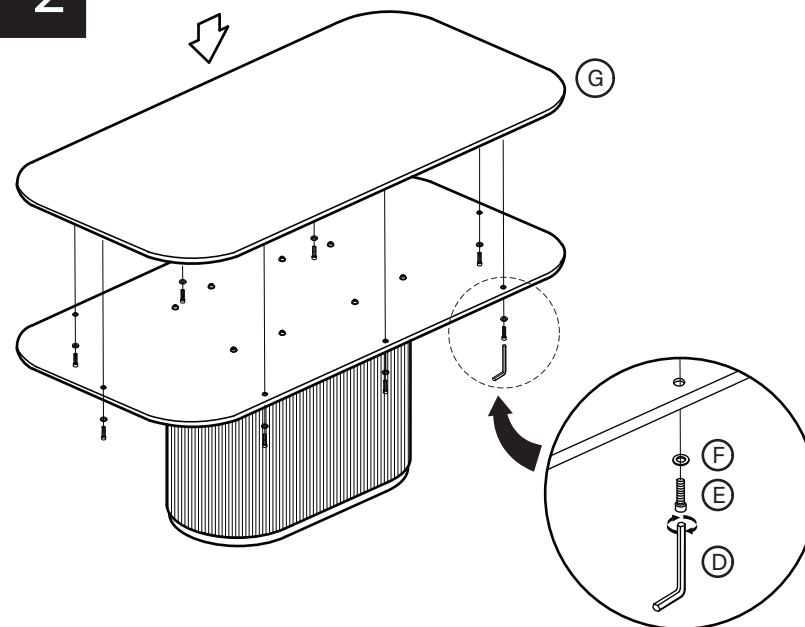
Note

1. Assemble the item on a soft, well-lit surface like cardboard or carpet.
2. For safety and efficiency, it's best to have two or more people assist with assembly to handle heavy parts safely and collaborate effectively.
3. Keep all packaging materials intact until assembly is complete.
4. Before assembling the item, carefully read all provided instructions.
5. Handle tools with care during assembly to prevent injuries.

1



2



3

