

KOALA




L I V I N G

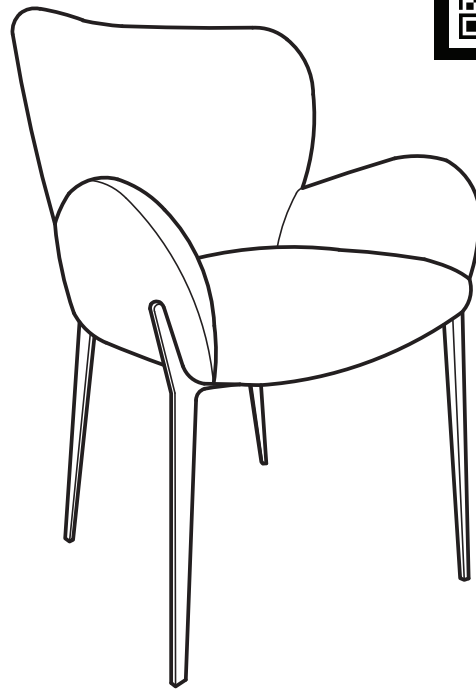
Assembly Instruction

Product Name: Milana Copper Brown Velveteen Dining Chair - Brushed Bronze Legs

Product Id: 131059

Hardware List

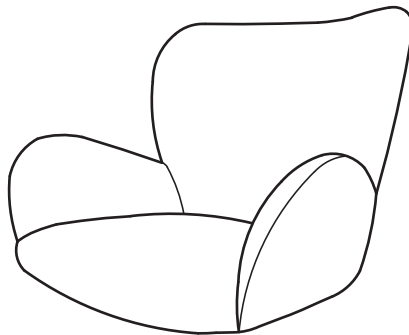
- | | | | |
|---|---|----------------------|-------|
| A |  | Allen Key
4mm | 1 pc |
| B |  | Allen Bolt
M6xL20 | 4 pcs |
| C |  | Washer
Ø6xØ16 | 4 pcs |



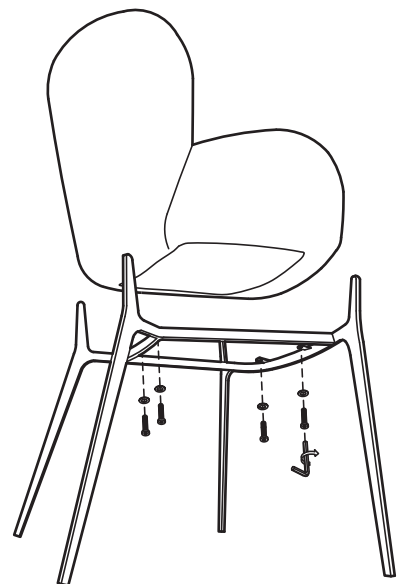
Part List



Legs
1 pc



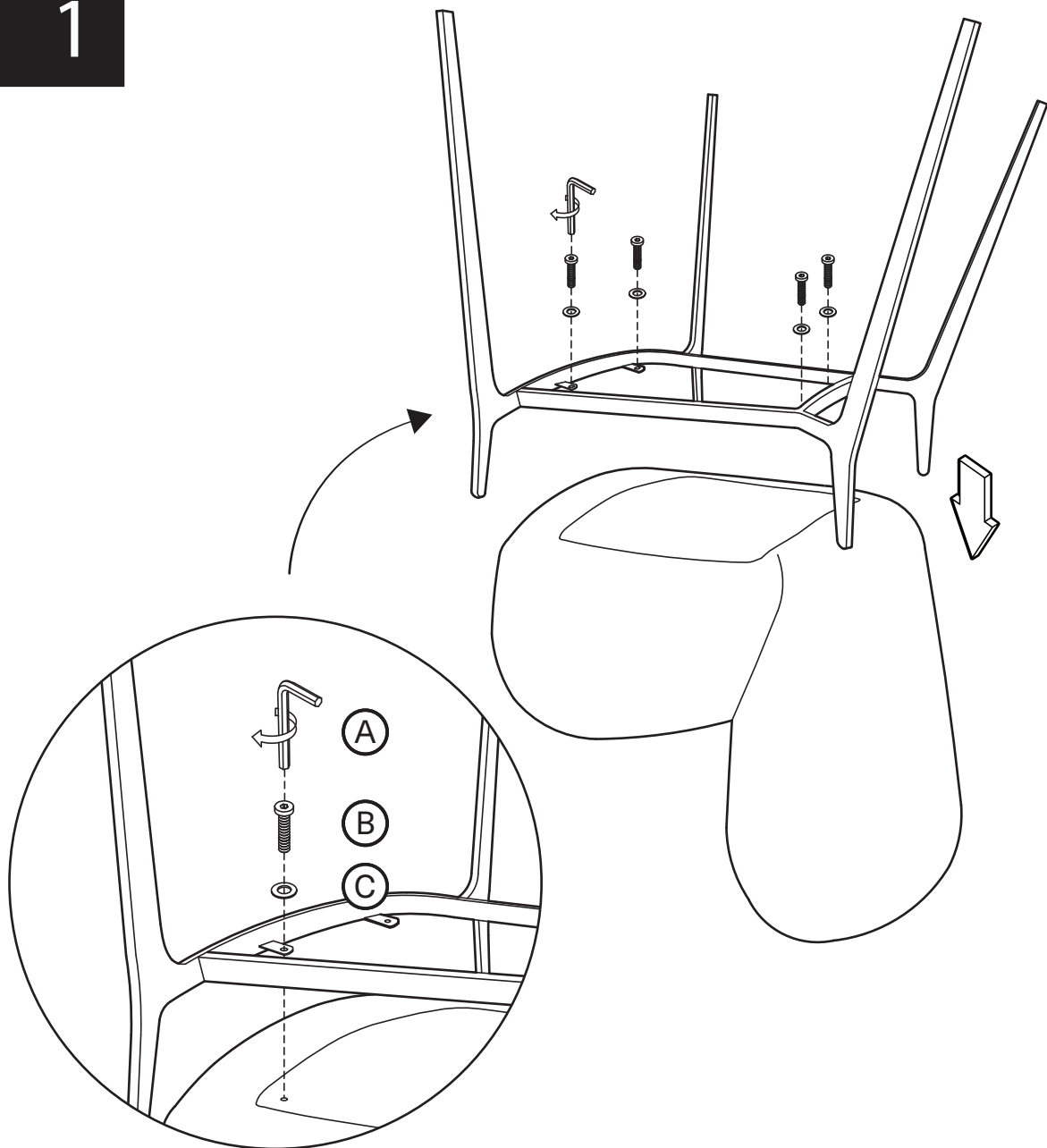
Seat
1 pc



Note

1. Assemble the item on a soft, well-lit surface like cardboard or carpet.
2. For safety and efficiency, it's best to have two or more people assist with assembly to handle heavy parts safely and collaborate effectively.
3. Do not discard any packaging materials until assembly is complete.
4. Before assembling the item, carefully read all provided instructions.
5. Handle tools with care during assembly to prevent injuries.

1



2

