

KOALA





L I V I N G

Assembly Instruction

Product Name: Estelle Stone Cream Queen Bed

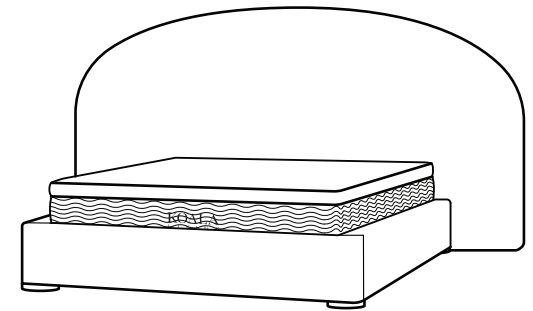
Product Id: 129491

Hardware List

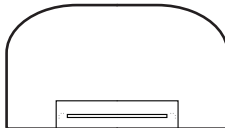
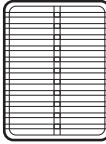


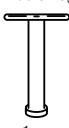

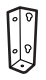

A		Allen Wrench 5mm	1 pc
B		Allen Bolt M8X35mm	32 pcs
C		Allen Bolt M8X50mm	2 pcs
D		Nut	2 pcs

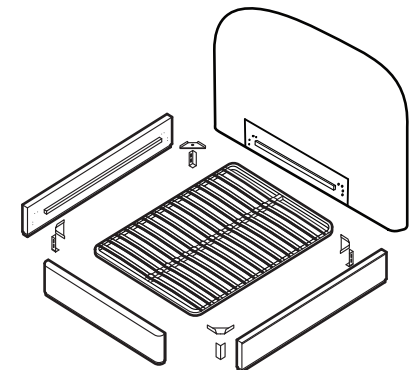
Note

The bolts (B) are pre-installed on the bed head, side rails, footboard and bolts (C) is on the support legs. Please unscrew them to assemble the bed.



Part List

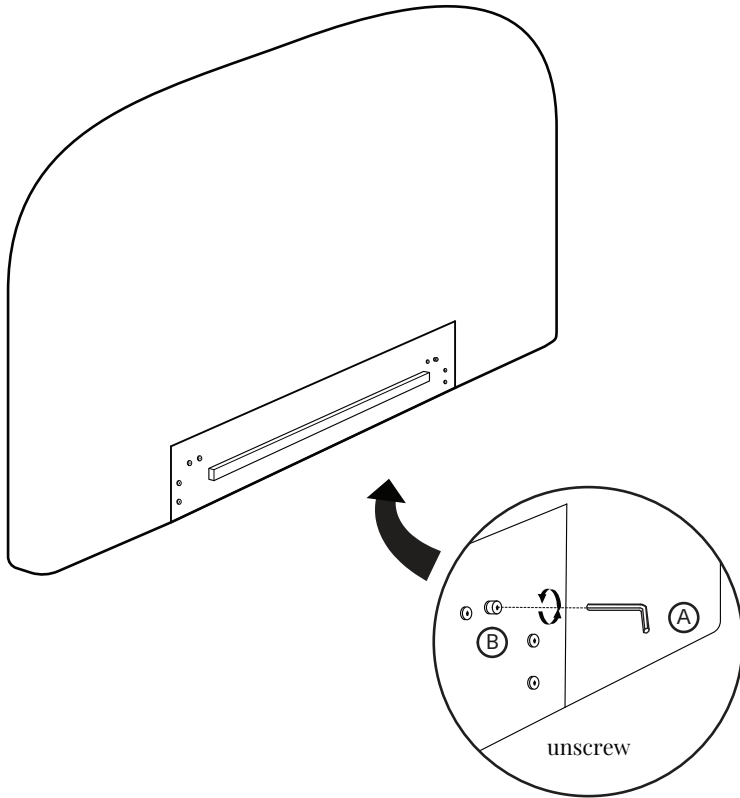
<p>Headboard</p>  <p>1 pc</p>		<p>Bedstead</p>  <p>1 pc</p>	<p>Rails</p>  <p>2 pcs</p>
<p>Footboard</p>  <p>1 pc</p>	<p>Middle Leg</p>  <p>1 pc</p>	<p>Left Bracket</p>  <p>2 pcs</p>	<p>Right Bracket</p>  <p>2 pcs</p>
		<p>Triangular Bracket</p>  <p>4 pcs</p>	



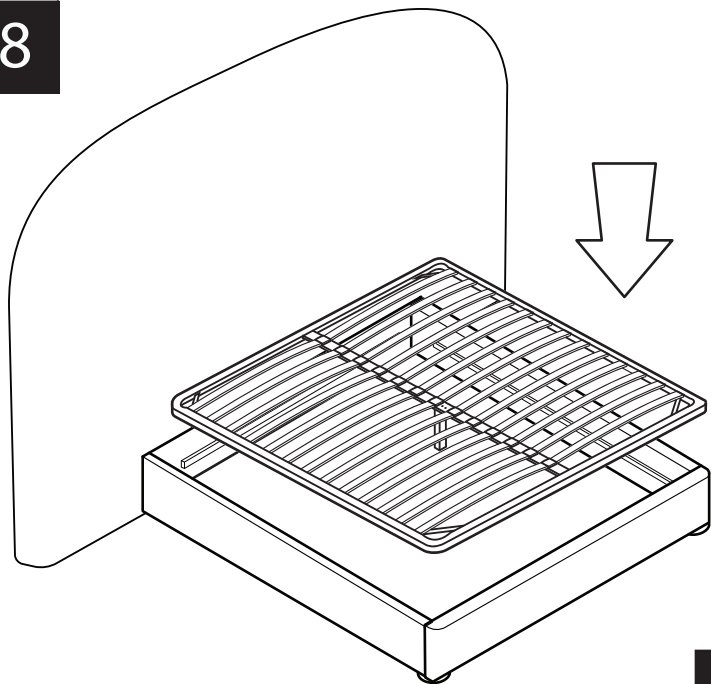
Note

1. Assemble the item on a soft, well-lit surface like cardboard or carpet.
2. For safety and efficiency, it's best to have two or more people assist with assembly to handle heavy parts safely and collaborate effectively.
3. Keep all packaging materials intact until assembly is complete.
4. Before assembling the item, carefully read all provided instructions.
5. Handle tools with care during assembly to prevent injuries.

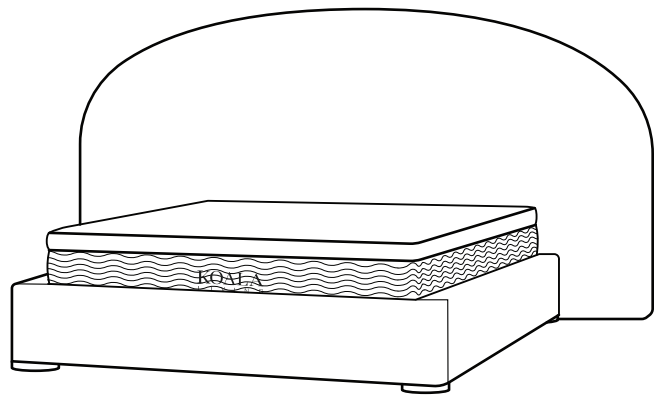
1



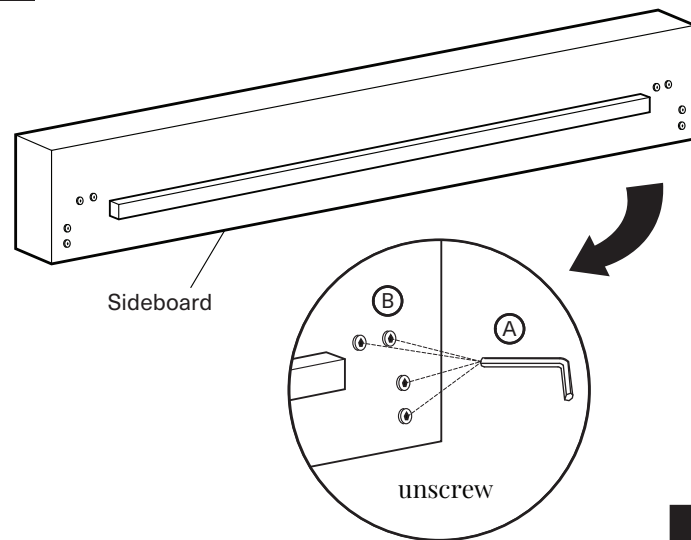
8



9



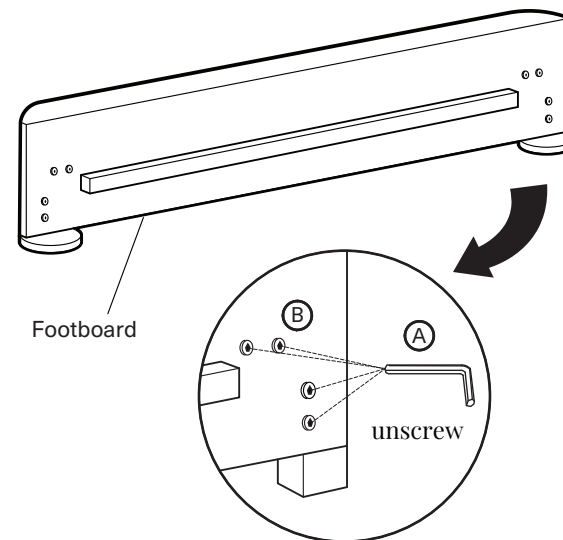
2



Sideboard

unscrew

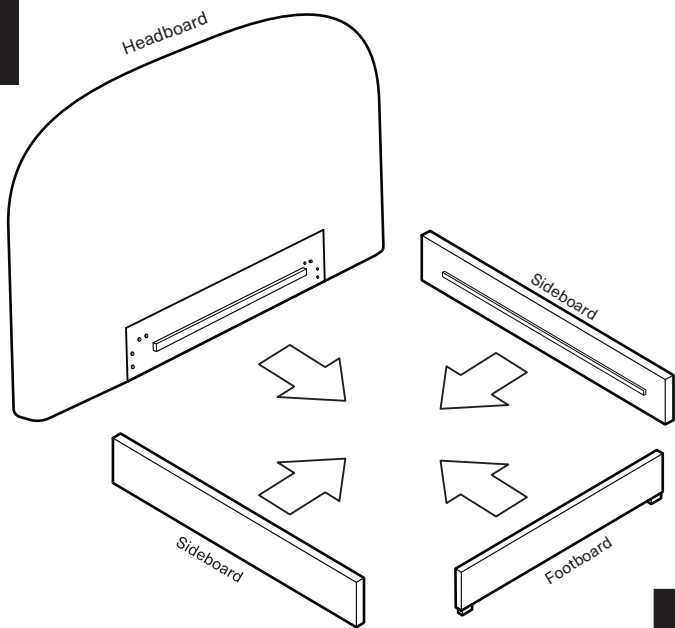
3



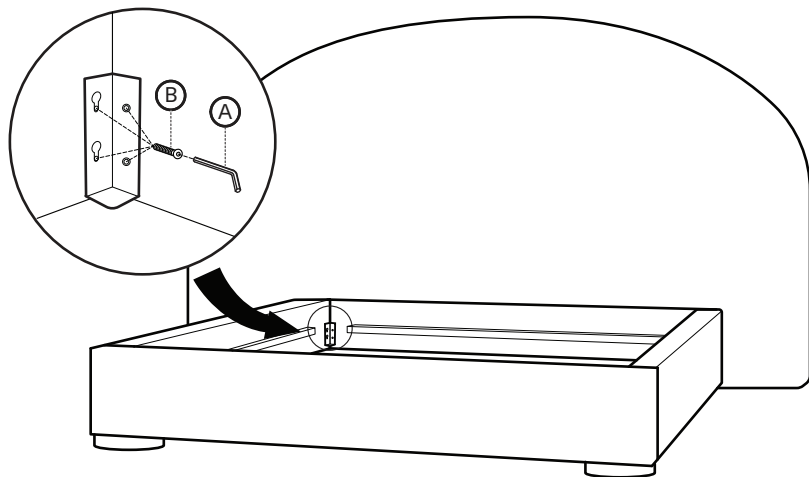
Footboard

unscrew

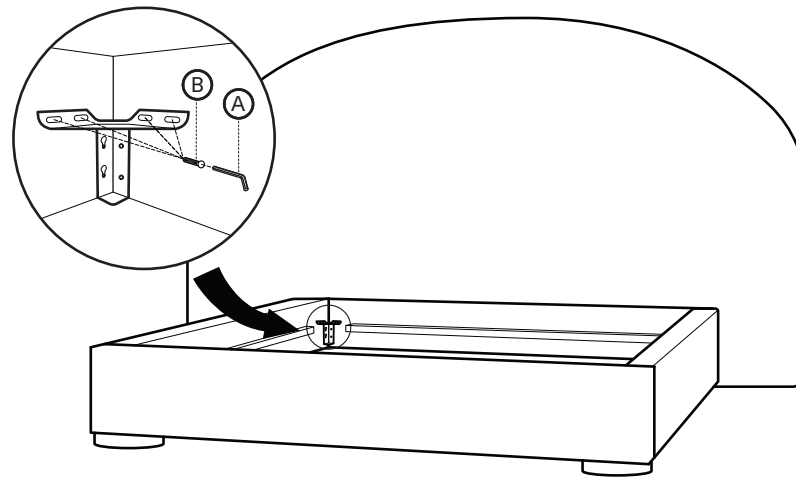
4



5



6



7

