

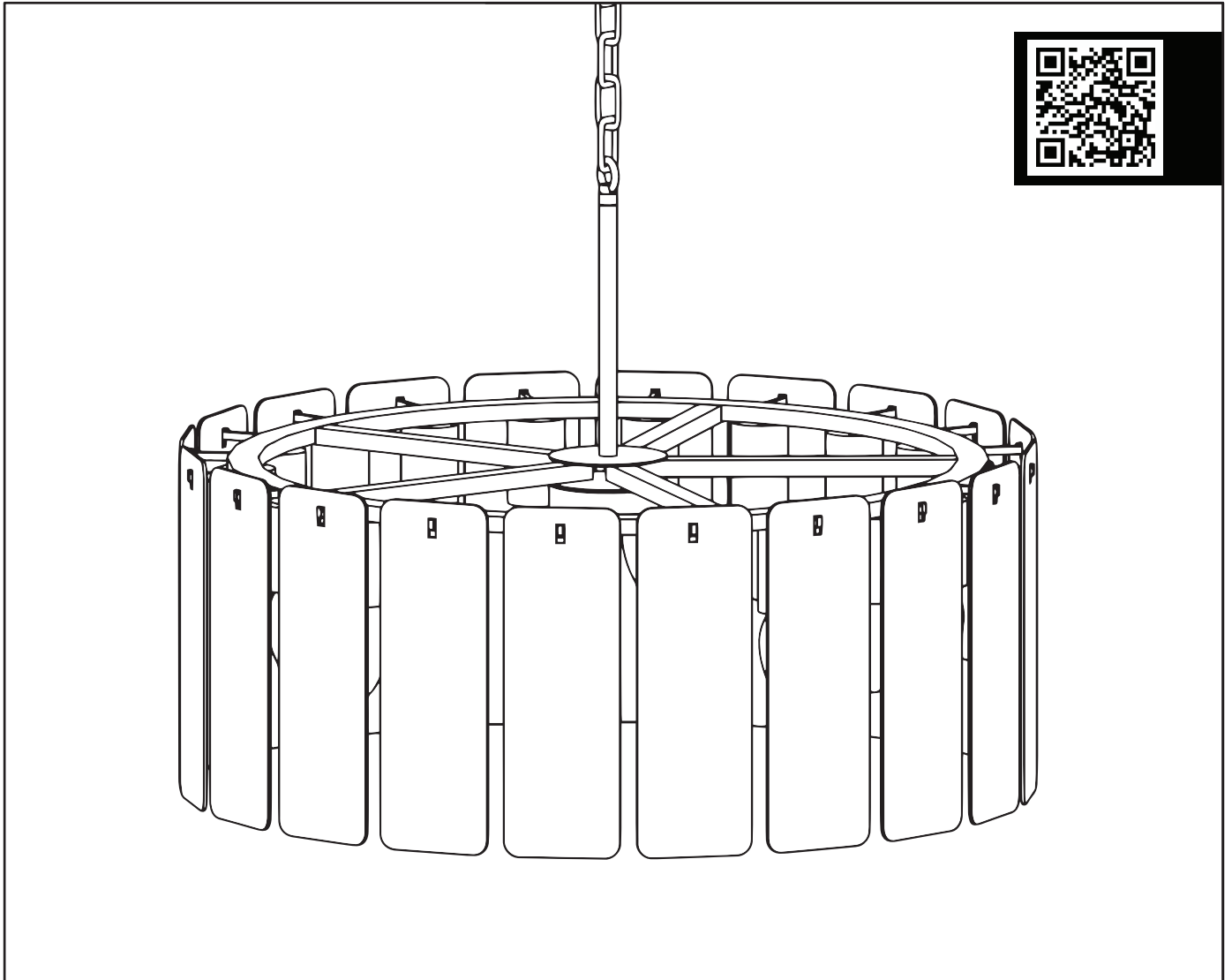
KOALA

L I V I N G

Assembly Instruction

Product Name: Aveline Chandelier

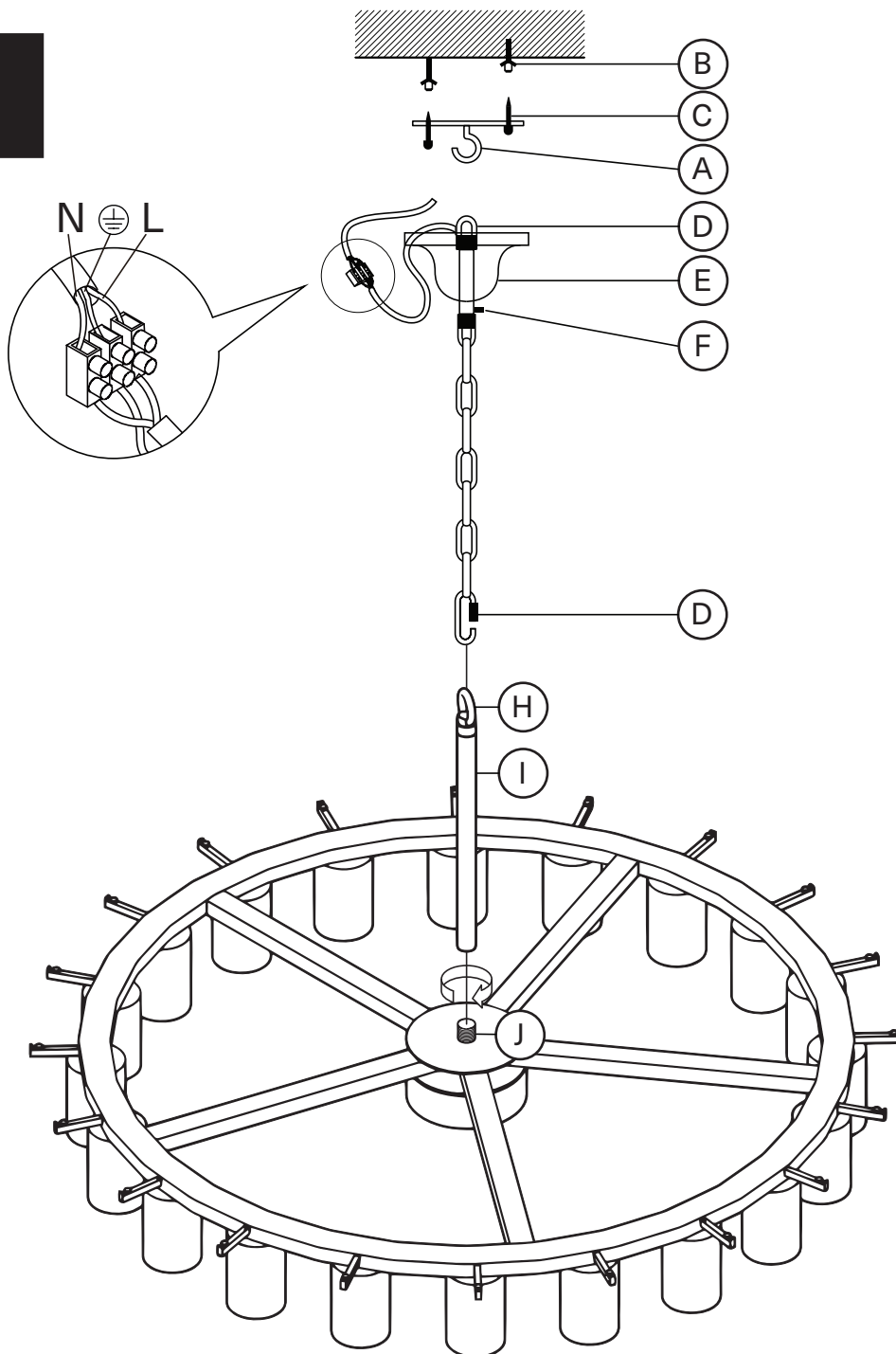
Product Id: 131824



Notes

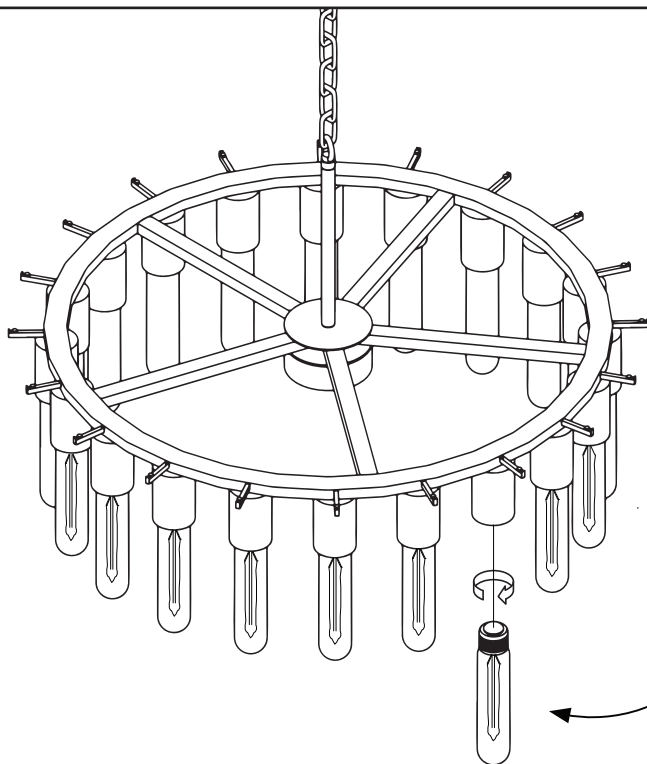
1. Turn off the main power supply before starting the installation.
2. We recommend installation of this lighting fixture be done by a licensed electrician.
3. Check all parts and read instructions before installation.
4. Ensure all wire connections are secure and properly insulated.
5. Handle electrical wires and tools carefully to avoid damage or injury.
6. Do not restore power until the fixture is fully installed and securely mounted.

1



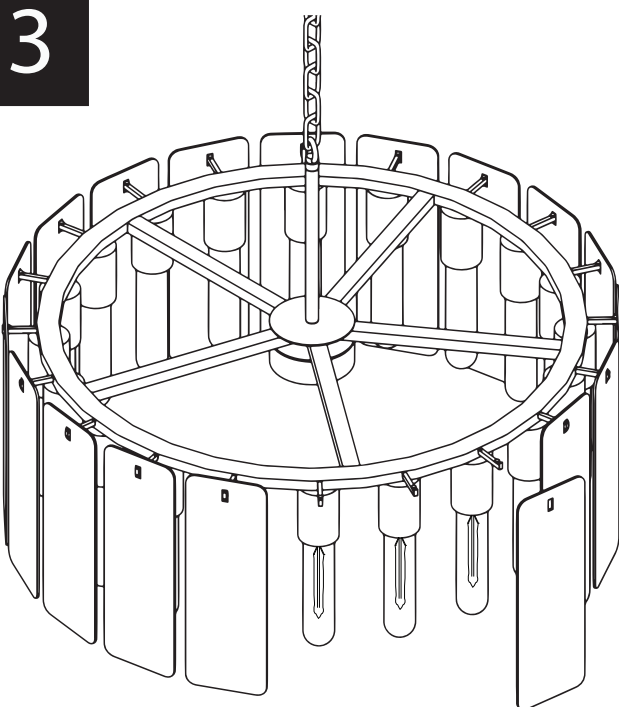
1. Remove all parts from the box.
2. Take the mounting bracket (A) from the canopy (E).
3. Insert expansion tubes (B) into the ceiling holes.
4. Fix the mounting bracket (A) to the ceiling using screws (C).
5. Connect the centre pole (I) to the screw nipple (J).
6. Use the open ring (G) to connect the chain to the loop (H).
7. Loosen the side screw (F), then place the ceiling loop (D) onto the bracket (A).
8. Connect the 3 power wires according to their colors. Brown is the live wire, blue is the neutral wire, green/yellow is the earth wire.
9. Attach the canopy (E) to the bracket (A) and tighten the side screw (F).

2



E27 Bulb x20
(not included)

Warm light bulb
recommended



Glass panels
20 pcs + 1 spare

3

230-240V a.c, 50Hz 20*E27; Max.25W

If the external flexible cable or cord this luminaire is damaged, it shall be exclusively replaced by the manufacturer or his service agent or a similar qualified person in order to avoid a hazard.

