


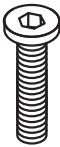

KOALA

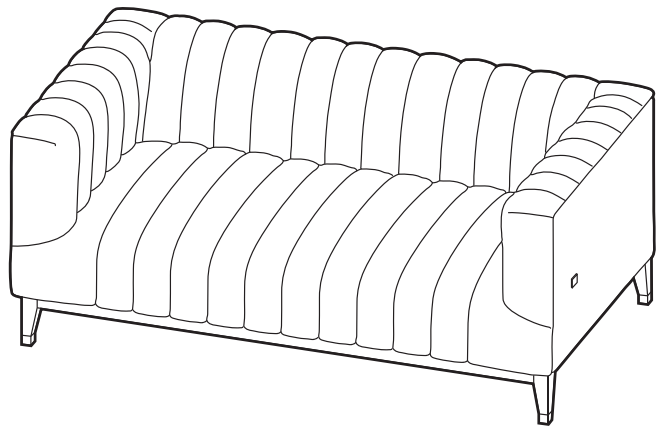
L I V I N G

Assembly Instruction

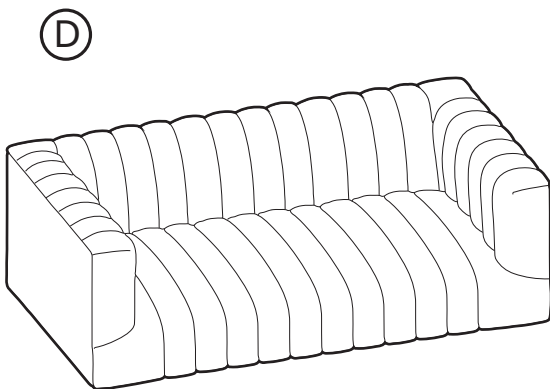
Product Name: Astoria III 2-Seater Sofa

Hardware List

- A  Allen Key 5mm 1 pc
- B  Allen Screw M6x50mm 8 pcs
- C  Gasket 8 pcs



Parts List

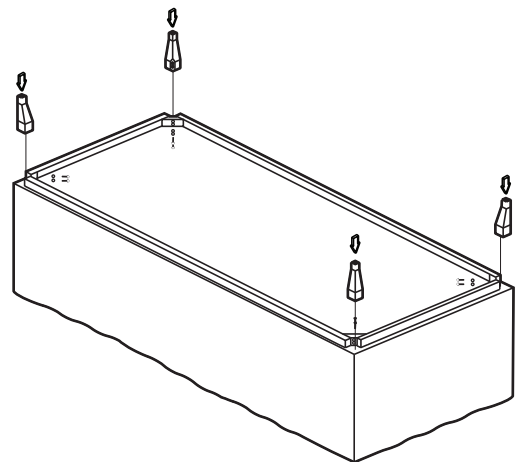


Seat
1 pc

E



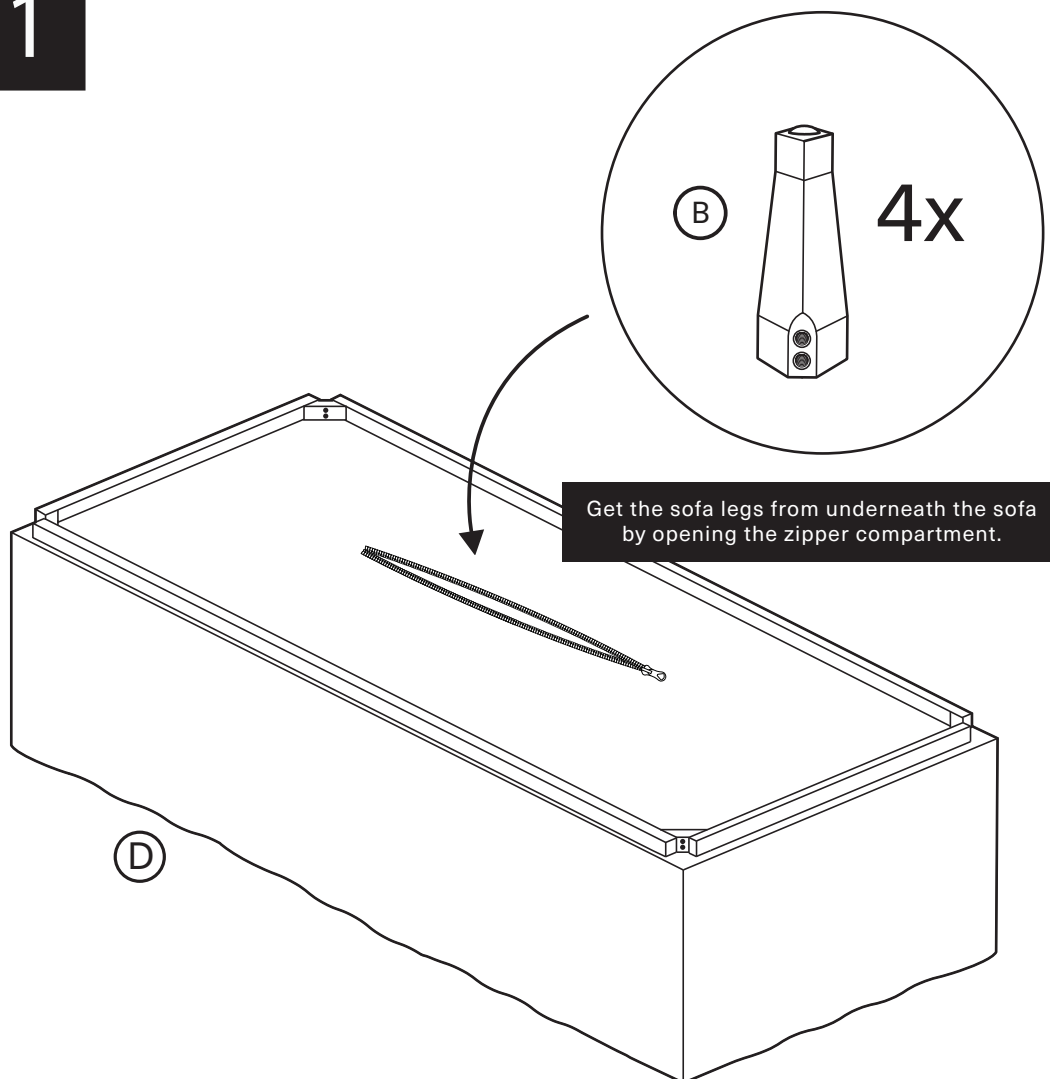
Leg
4 pcs



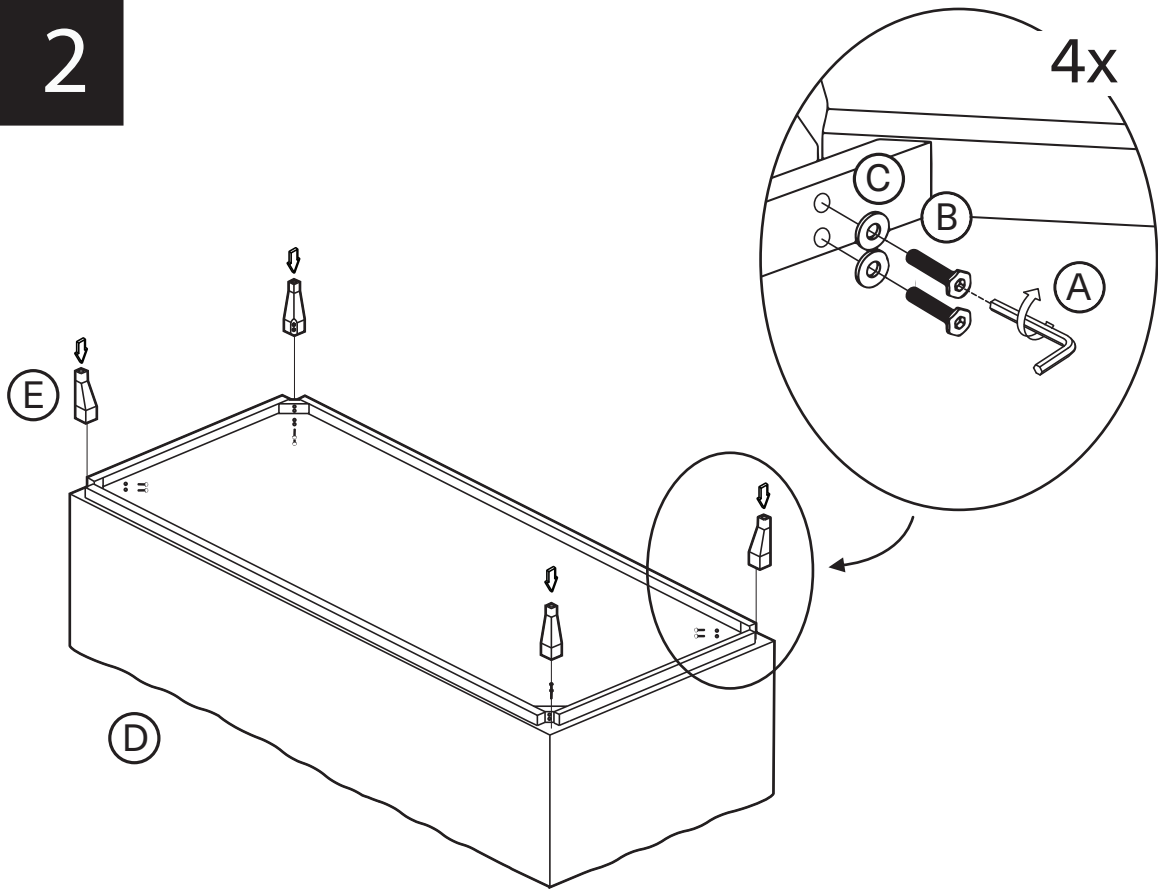
Note

1. Please check that all required hardware for assembly, as listed in the instructions, is available before beginning assembly.
2. For safety and efficiency, it's best to have two or more people assist with assembly to handle heavy parts safely and collaborate effectively.
3. Do not discard any packaging materials until assembly is complete.
4. Before assembling the item, carefully read all provided instructions.
5. Handle tools with care during assembly to prevent injuries.
6. A drill may be used, but only on a LOW setting to avoid damage.

1



2



3

